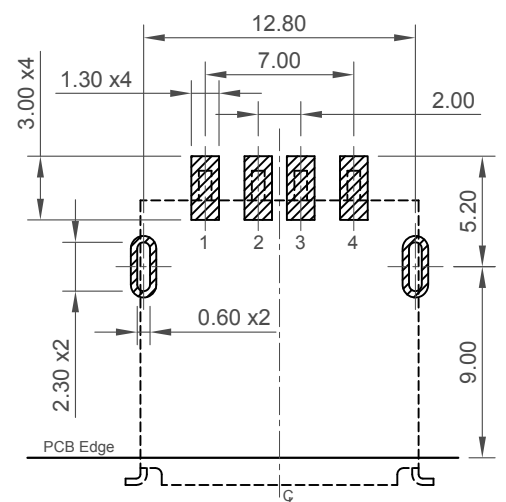
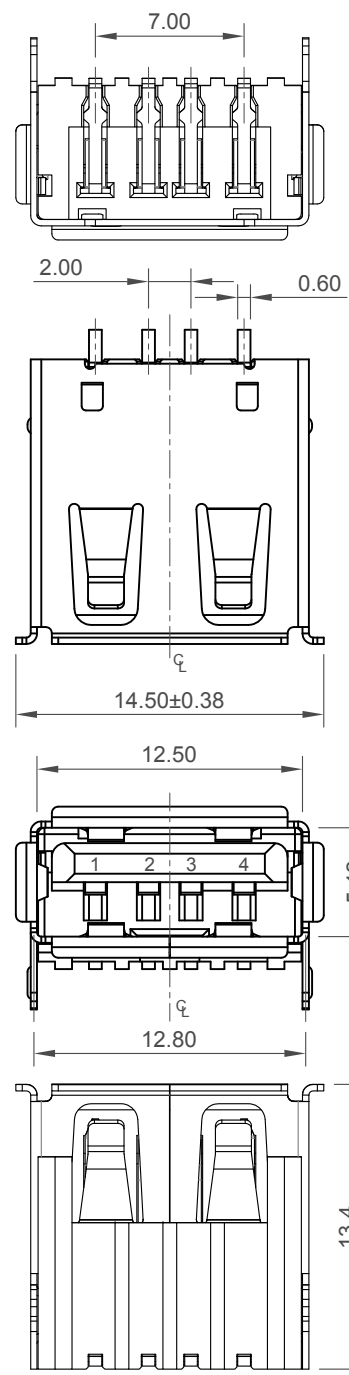
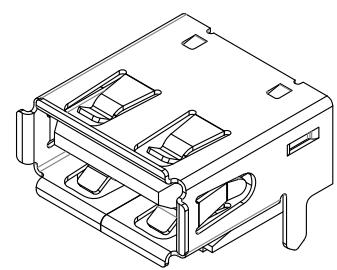
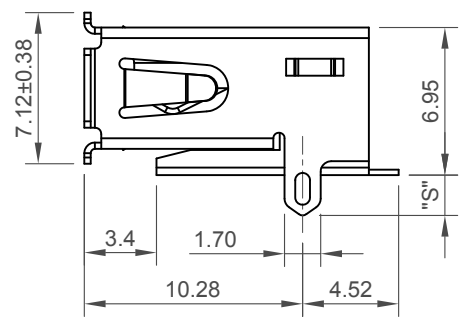


H  
G  
F  
E  
D  
C  
B  
A



**Recommended PCB Layout (Top View)**  
 T=1.4mm (General Tolerances: ±0.05mm)  
 ▨ Solder Area □ Component Outline



**Specifications 规格**

**Materials & Plating 物料与电镀:**  
 Plastic Housing 塑胶外壳: LCP, UL94V-0, Black  
 Contact Terminal 接触端子: Copper Alloy  
 Metallic Shell 金属外壳: SPCC  
**Finish 表面处理:**  
 Underplating 底层电镀: 50µ" Nickel  
 Plating 电镀:  
 Contact Area: Gold Flash  
 Solder Tails 焊接末端: 50µ" Tin  
 Metallic Shell 金属外壳: Nickel

**Electrical 电气规格:**  
 Voltage Rating 电压额定值: 30V  
 Current Rating 电流额定值: 1.5A  
 Operating Temperature 工作温度: -40°C to +85°C  
 Contact Resistance 接触电阻值: 30 mΩ max.  
 Insulating Resistance 绝缘电阻值: 1000 MΩ min.  
 Dielectric Withstand Voltage 耐电压: 500V AC

**Mechanical 机械性规格:**  
 Mating Force 插入力: 35N (3.57Kg) max.  
 Unmating Force 拨出力: 10N (1.02Kg) min.  
 Durability 耐久性: 1,500 Cycles

**Ordering Grid**

USB1046 - GF - XXXX - L - B - X Request Samples and Quotation

**Contact Plating**  
 GF = Gold Flash

**Shell Stake Length "S"**  
 0190 = 1.9mm (Standard)  
 (for 1.60mm thick PCB)  
 0270 = 2.7mm  
 (for 2.00mm thick PCB)

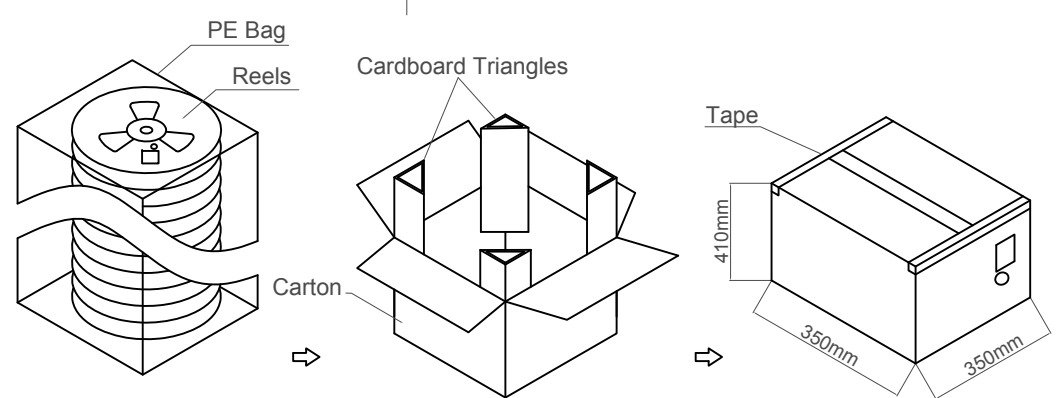
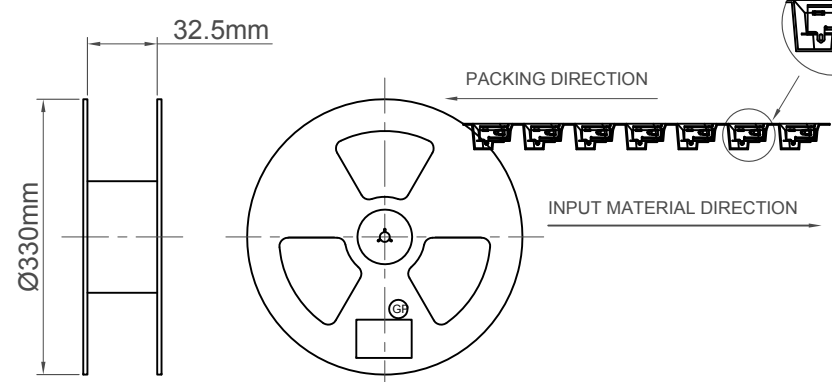
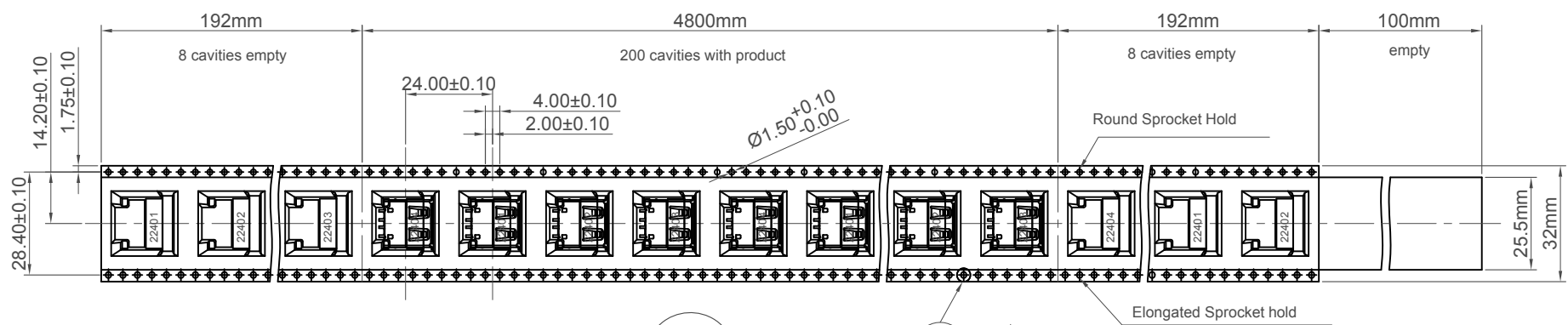
**Packing Options**  
 A = Tape & Reel (Standard)  
 (200 per reel)  
 B = Tray  
 Insulator Colour  
 B = Black

**Insulator Material**  
 L = LCP

Part Number USB1046		Product Description USB Receptacle, Type A, 4 Pin, Surface Mount, Horizontal, Top Mount, with Shell Stakes				This drawing is confidential and copyright of Global Connector Technology, Ltd (GCT). This drawing must not be copied or disclosed without written consent. E & OE	
Drawing Date 8th September 2014							
By AJO	Detail USB1046 B PCN	Tolerances (Except as Noted) Length X.X ± 0.35 X.XX ± 0.25	Angle X.° ± 3° X.X° ± 1.5°	Units: Metric (mm)			Not to Scale Drawn By AJO Sheet No. 1/2
Revision B	Date 24/10/14						

**GCT**  
 Global Connector Technology  
 www.gct.co

H  
G  
F  
E  
D  
C  
B  
A



Part Number	Specification	Q'ty
Carrier Tape	32.0mm (W) x 5.184m (L)	10
Cover Tape	25.5mm (W)	82.84m
Reel	330 x 32.5mm	10
Bag	400 x 400 x 400mm, PE	1
Cardboard Triangles	430 x 370 x 3mm	4
Carton	350 x 350 x 410mm	1
Desiccant	3.5g	2

Part Number	Pcs./Reel	Reels/Carton	Pcs./Carton
USB1046	200	10	2000

Part Number USB1046		Product Description USB Receptacle, Type A, 4 Pin, Surface Mount, Horizontal, Top Mount, with Shell Stakes	
Drawing Date 8th September 2014			
By AJO	Tolerances (Except as Noted) Length	Units: Metric (mm)	  
Detail USB1046 B PCN	Angle		
Revision B			
Date 24/10/14			
		This drawing is confidential and copyright of Global Connector Technology, Ltd (GCT). This drawing must not be copied or disclosed without written consent. E & OE	
		 Global Connector Technology <a href="http://www.gct.co">www.gct.co</a>	
Not to Scale	Drawn By AJO	Sheet No. 2/2	