

Modulostar® US10

Modular fuse-holders

FUSE HOLDERS, FUSE BASES AND SUPPORTS

UL/CSA FUSE HOLDERS



The innovative and comprehensive Modulostar® range of Mersen fuse-holders.

Modular fuse-holders are finger-safe under IEC standards to an IP20 grade of protection, including fuse changing (with the flick of a finger). Modular fuse-holders are available in 1, 2, 3 or 4 poles, with or without visual blown fuse indicator, in UL + IEC version.

Multi-pole units can also be field assembled by ordering pin-ties assembly kit.

Modulostar® range is made of tough and durable thermoplastic or thermoset material.

TECHNICAL DATA OVERVIEW

| | |
|---------------------------------|--|
| UL ratings AC | 800 VAC, 32 A, 200 kA |
| UL ratings DC | 1000 VDC, 32 A, 100 kA |
| Voltage AC | 690 VAC |
| Voltage DC | 690 VDC |
| Amper (A) | 32 A |
| Rated operational current I_e | ≤ 32 A |
| SCCR | 200 kA |
| Mounting | Installation on to DIN rails to EN 60715 |
| Product Size | For cylindrical fuse links 10x38.1 or Midget |
| Number of Poles | 1 to 4 poles |

FEATURES & BENEFITS

- Finger safe
- Degree of protection: IP20
- Optional visual blown fuse indicator
- DIN rail mounting
- Modular design
- Lockable
- Multi-pole assembly kit available
- Sealable in closed and open position
- Plastic material UL94V2 mini
- Flame retardant materials with glow wire flammability index to 960°C

APPLICATIONS

- All circuits up to 690V for protection of motors, transformers, low voltage distribution, control circuits, drive protection
- Non-load operation

STANDARDS

- UL Recognized Component, UL4248, guide IZLT2, file E52283
- CSA Certified C22.2, class 6225, file 32169
- IEC 60269-2 and IEC 60947-3
- RoHS Compliant
- Plastic material: NF 16101 & 16102 Requirement 2 Compliant



MERSEN reserves the right to change, update or correct, without notice, any information contained in this datasheet.

PRODUCT RANGE



US101

UltraSafe™ fuse holders for 10.3x38.1 fuse-links, without indicator

| Catalog number | Reference number | Number of poles/phases | Design | Weight | Package |
|----------------|------------------|------------------------|--------------------------------------|-----------|---------|
| US10N | H305056 | N | US10 neutral conductor | 65.8 g | 12 |
| US101 | B305050 | 1 | US10 single pole | 60.8 g | 12 |
| US101N | C305051 | 1+N | US10 single pole + neutral conductor | 0.1316 kg | 6 |
| US102 | D305052 | 2 | US10 double pole | 0.1216 kg | 6 |
| US103 | E305053 | 3 | US10 triple pole | 0.1825 kg | 4 |
| US103N | F305054 | 3+N | US10 triple pole + neutral conductor | 0.2633 kg | 3 |
| US104 | G305055 | 4 | US10 quadruple pole | 0.25 kg | 3 |



US101I

UltraSafe™ fuse holders for 10,3x38,1 fuse-links, with indicator

| Catalog number | Reference number | Number of poles/phases | Design | Weight | Package |
|----------------|------------------|------------------------|--------------------------------------|-----------|---------|
| US101I | J305057 | 1 | US10 single pole | 62.5 g | 12 |
| US101NI | K305058 | 1+N | US10 single pole + neutral conductor | 0.1316 kg | 6 |
| US102I | L305059 | 2 | US10 double pole | 0.1333 kg | 6 |
| US103I | M305060 | 3 | US10 triple pole | 0.1825 kg | 4 |
| US103NI | N305061 | 3+N | US10 triple pole + neutral conductor | 0.2633 kg | 3 |
| US104I | P305062 | 4 | US10 quadruple pole | 0.2433 kg | 3 |

TECHNICAL DATA

| | US10 | US101 |
|--|---|---|
| Size | 10x38 | 10x38 |
| Number of poles/phases | 1, 1+N, 2, 3, 3+N, 4 | 1, 1+N, 2, 3, 3+N, 4 |
| UL ratings AC | 800 VAC, 32 A, 200 kA | 800 VAC, 32 A, 200 kA |
| UL ratings DC | 1000 VDC, 32 A, 100 kA | 1000 VDC, 32 A, 100 kA |
| Conventional free air thermal current with fuse links I_{th} | 32 A | 32 A |
| Power dissipation at I_{th} | 3 W | 3 W |
| Utilisation category | AC20B/DC20B | AC20B/DC20B |
| Rated insulation voltage U_i | 690 V | 690 V |
| SCCR | 200 kA | 200 kA |
| Rated impulse withstand voltage U_{imp} | 6 kV | 6 kV |
| Degree of protection | IP 20 | IP 20 |
| Voltage limit for blown fuse indicator | - | 230 to 690V AC/DC |
| Indication System | - | with indicator |
| Connection | Max. tightening torque: 2.2Nm (19lb-in) Rigid wire = 1-16mm ² (16-6AWG) Multistrand wire = 0.75-10mm ² (18-8AWG) PZ2 or flat 5.5x1mm screw drivers recommended (max. diameter 6mm) | Max. tightening torque: 2.2Nm (19lb-in) Rigid wire = 1-16mm ² (16-6AWG) Multistrand wire = 0.75-10mm ² (18-8AWG) PZ2 or flat 5.5x1mm screw drivers recommended (max. diameter 6mm) |
| Operating temperature | -25°C to 60°C | -25°C to 60°C |
| Storage temperature | -25°C to 80°C | -25°C to 80°C |

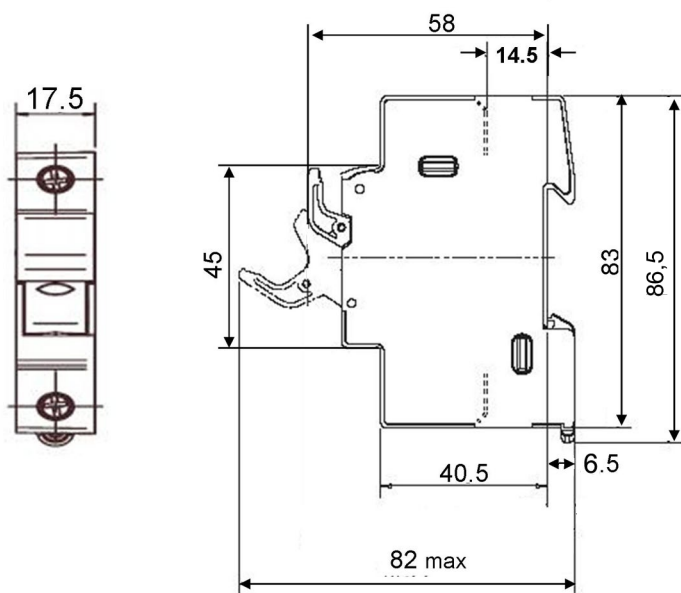
SPECIFIC USAGE CONDITIONS

| | | | | | |
|-----------------------------------|-------|------|------|------|------|
| Ambient temperature | >20°C | 30°C | 40°C | 50°C | 60°C |
| Derating factor (I _e) | 1 | 0.95 | 0.9 | 0.8 | 0.7 |

| | | |
|---|--------|------|
| No of poles (side by side) | 1 to 3 | >= 4 |
| Derating factor of current (I _{th}) | 1 | 0.9 |

| | | | | |
|---|---------------------|-------------------|-------------------|-------------------|
| Nominal current of fuse-link gR | 20 A | 25 A | 30 A | 32 A |
| Max. operational current in fuse-holder | 19 A | 22 A | 25 A | 27 A |
| Cable wire section | 2.5 mm ² | 4 mm ² | 6 mm ² | 6 mm ² |

DIMENSIONS



Dimensions in mm

ACCESSORIES



US810PAK + fuse-holder

Kit for multi phase connection

| Catalog number | Reference number | Description | Weight | Package |
|----------------|------------------|---|--------|---------|
| US810PAK | Z233725 | Links for connection of multipole units | 0.5 g | 12 |

ACCESSORIES

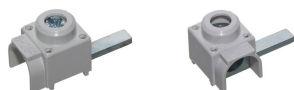


TAGLOCKCMS810

LOCK

Locking devices

| Catalog number | Reference number | Description | Weight | Package |
|----------------|------------------|-------------------------------|----------|---------|
| TAGLOCKCMS810 | A235773 | Locking kit (Tag and lockout) | 9 g | 1 |
| LOCK | M223525 | Padlock | 0.475 kg | 1 |



TBB1A

TBB1C



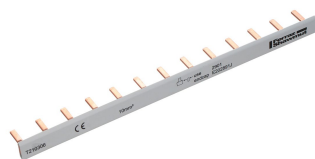
TBB23A

TBB23C

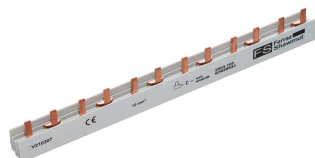
Power supply

| Catalog number | Reference number | Description | Application | Weight | Package |
|----------------|------------------|--|----------------------|--------|---------|
| TBB1A | D210315 | 1 phase axial incoming power supply | Max. rms current 90A | 10.1 g | 50 |
| TBB1C | E210316 | 1 phase lateral incoming power supply | Max. rms current 90A | 10 g | 50 |
| TBB23A | F210317 | 2 & 3 phases axial incoming power supply | Max. rms current 90A | 23.3 g | 50 |
| TBB23C | G210318 | 2 & 3 phases lateral incoming power supply | Max. rms current 90A | 23.1 g | 50 |

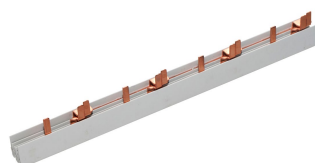
ACCESSORIES



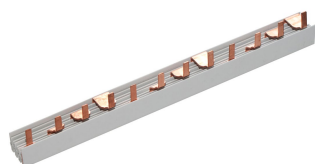
CMS810BB1F13



CMS810BB2F6



CMS810BB3F4



CMS810BB4F3

Wiring bars / Insulated bus bars

| Catalog number | Reference number | Description | Application | Weight | Package |
|----------------|------------------|--|--|--------|---------|
| CMS810BB1F13 | T210306 | single pole, 10 mm ² , partition 17,5 mm (distance of poles), peg design, L-shaped | Max. rms current 63A, for installation of 13 modules | 33.5 g | 10 |
| CMS810BB2F6 | V210307 | double pole, 10 mm ² , partition 17,5 mm (distance of poles), peg design, L-shaped | Max. rms current 63A, for installation of 6 modules | 80 g | 10 |
| CMS810BB3F4 | W210308 | triple pole, 10 mm ² , partition 17,5 mm (distance of poles), peg design, L-shaped | Max. rms current 100A, for installation of 4 modules | 84 g | 10 |
| CMS810BB4F3 | X210309 | quadruple pole, 10 mm ² , partition 17,5 mm (distance of poles), peg design, L-shaped | Max. rms current 100A, for installation of 3 modules | 120 g | 10 |