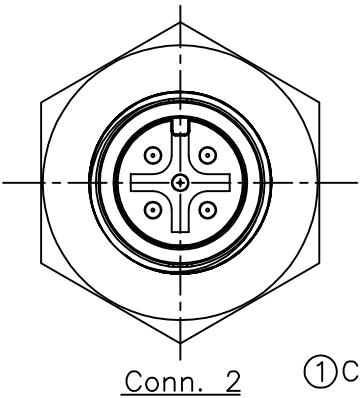
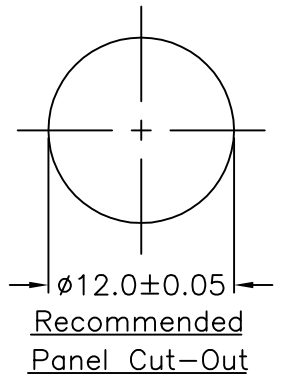
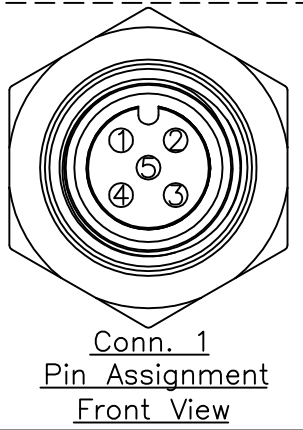
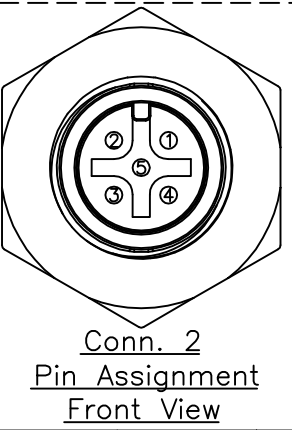
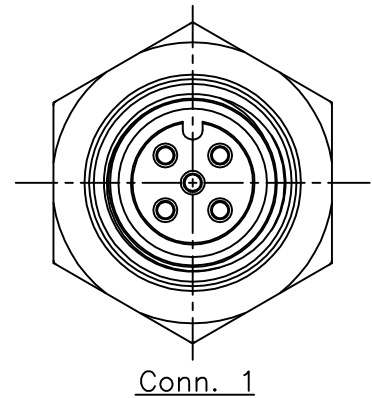
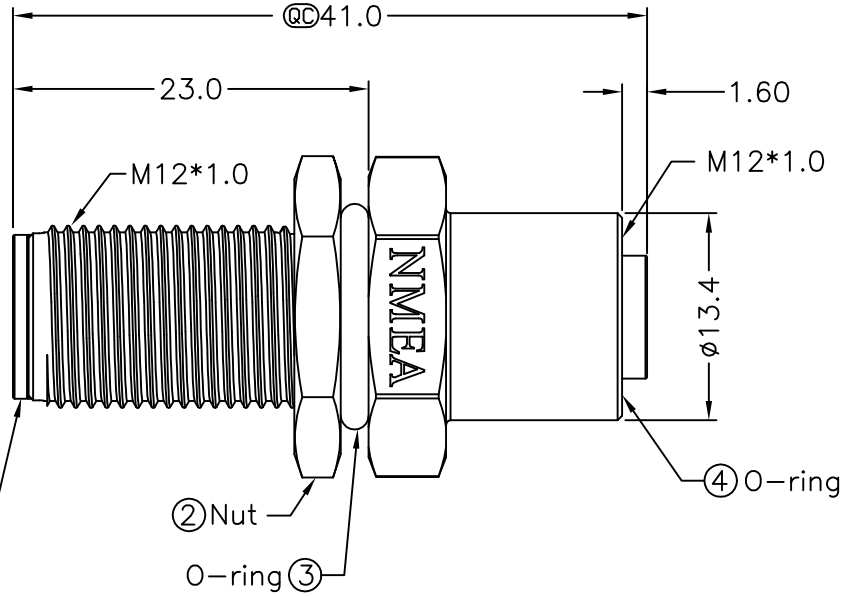


REV.	ECN NO.	DATE	SIGN	DESCRIPTION
A		Initial Release	2009/10/01	Doreen
				Change REV.01 to REV.A

ALTW  
DCC. DEPT.  
CONFIDENTIAL  
2009.12.04  
ISSUED



① Connector



ALTW  
CONFIDENTIAL  
2009.10.01  
R&D DEPT.

- Note:
- \* Ⓞ Important Dimension.
  - \* Waterproof Rate: IP68
  - \* Conn.1&2: Nylon+GF, Black
  - \* Pin: Copper Alloy, Gold Plated
  - \* Shield: Brass, Nickel Plated
  - \* Nut: Brass, Nickel Plated
  - \* Liquid Glue: Clear
  - \* O-Ring: Silicone, Gray

UNIT:mm	
TOLERANCE	
.X	±0.25
.XX	±0.1
.XXX	±0.05
ANGLES	±1°

TITLE	M12 Conn NMEA Bulkhead Screw MF Conn MF Pin	
SCALE	Free	SHEET 1 OF 1
REV.	A	SIZE A4
		Ⓞ :Inspection Item

**Amphenol LTW**  
安費諾亮泰企業股份有限公司

ITEM NO	UMC-000505-0FM-BS001
DWG NO	UMC-000505-0FM-BS001
CUSTOMER	ALTW

DRAWN BY	Doreen	DATE	2009/10/01
CHECKED BY	Yitung	DATE	2009/10/02
APPROVED BY	Luke	DATE	2009/10/02

THIS DOCUMENT IS SUBJECT TO CHANGE WITHOUT NOTICE. IT IS CONFIDENTIAL AND A PROPERTY OF Amphenol LTW. DISCLOSURE TO THIRD PARTY HAS TO BE AUTHORIZED BY Amphenol LTW.