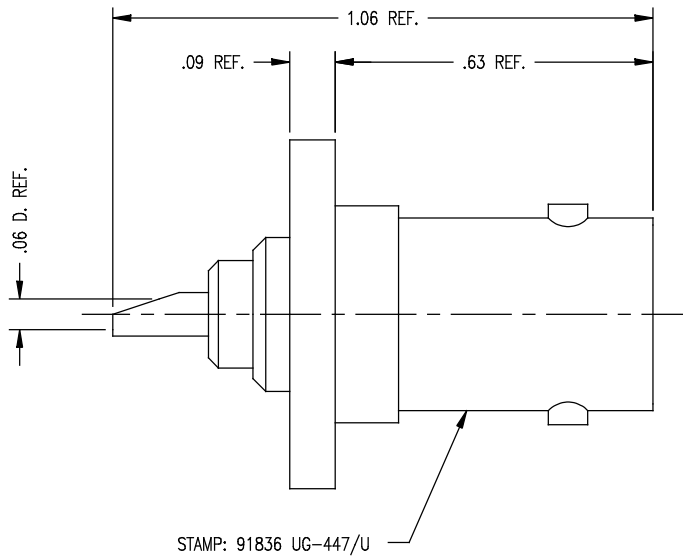


GSD

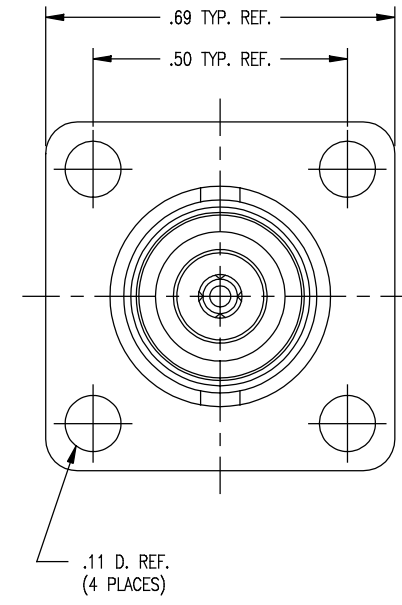
UG-447/U

REVISIONS

| ISSUE | CHANGES |
|-------|--------------------------------------|
| 7 | CN 37041 A REDRAWN KH 08/05/96 |



STAMP: 91836 UG-447/U



- NOTES:
1. INTERFACE PER MIL-STD-348, FIG. 301-2.
 2. MATERIALS:
INSULATOR: REXOLITE, L-P-516
CENTER CONTACT: BER. COP., ASTM-B-196
ALL OTHER METAL PARTS: BRASS, ASTM-B16
 3. FINISHES:
ALL METAL PARTS: SILVER PLATE PER QQ-S-365
 4. ELECTRICAL CHARACTERISTICS:
NOMINAL IMPEDANCE: 50 OHMS
FREQUENCY RANGE: DC TO 4 GHZ
WORKING VOLTAGE: 500 VRMS

KAM6721

| | | |
|---------------------|----------------|---------------|
| SCALE | 4:1 | |
| APPROX SURFACE AREA | KC-71-10 | |
| USED ON | RCPT, PNL, BNC | |
| REF: | | |
| DRAWN | KH | DATE 08/05/96 |
| DESIGN | LI | DATE 08/06/96 |
| APPR. | | DATE |

KINGS
ELECTRONICS CO., INC.
TUCKAHOE, NEW YORK 10707

GSD

UG-447/U