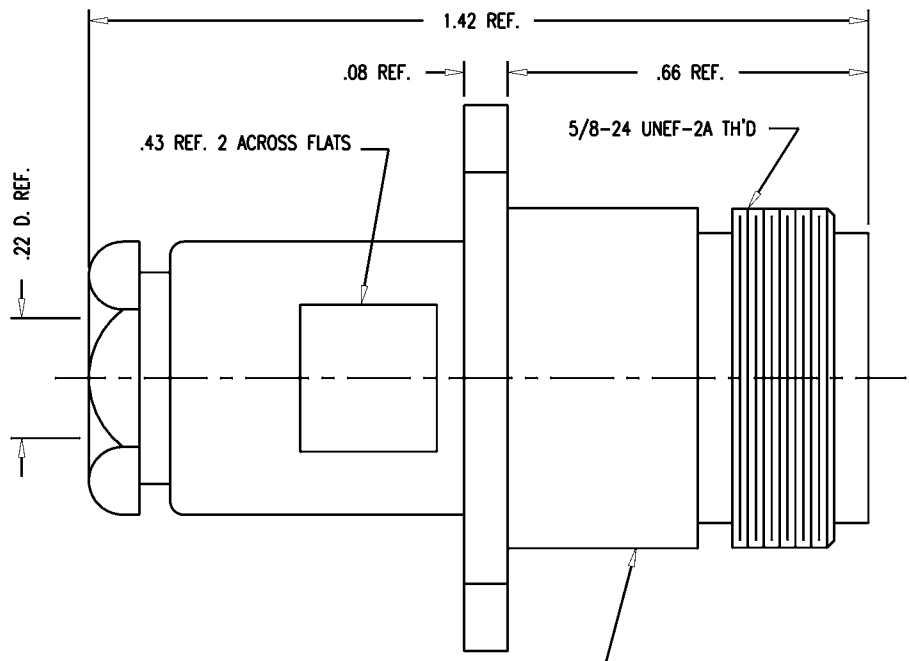
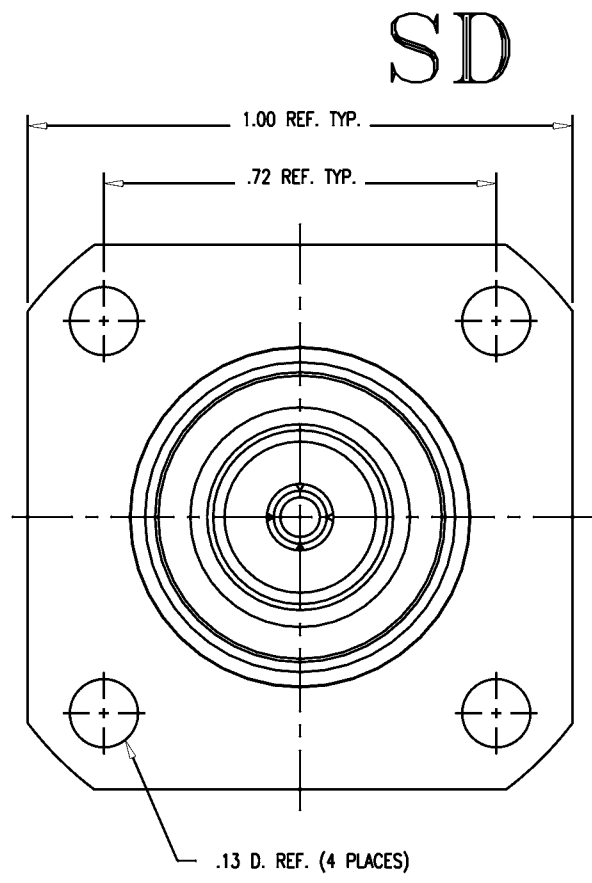


DASH NO.	M CODE	MADE FROM
----------	--------	-----------



STAMP: 91836 UG-1095A/U



- NOTES:
- FOR USE WITH RG-58, 142 & 223 /U CABLES.
 - FOR CABLING INSTRUCTIONS SEE CP-1015.
 - MATERIALS:
 INSULATOR: TEFLON, ASTM-D-4894
 GASKET: SIL. RUB., ZZ-R-765
 CENTER CONTACT: BER. COP., ASTM-B-196
 ALL OTHER METAL PARTS: BRASS, ASTM-B16
 - FINISHES:
 CENTER CONTACT: HARD GOLD PLT. PER MIL-G-45204
 ALL OTHER METAL PARTS: SILVER PLT. PER QQ-S-365
 - ELECTRICAL CHARACTERISTICS:
 NOMINAL IMPEDANCE: 50 OHMS
 VOLTAGE RATING: 1000 VRMS
 FREQUENCY RANGE: DC TO 11 GHz

UG-1095B/U

REVISIONS	
ISSUE	CHANGES
8	CN 37285 D REDRAWN KH 03/11/97
9	CN 37388 C MRM 07/22/97

SCALE 4:1			
APPROX SURFACE AREA			
KN-17-06			
USED ON			
REF:			
JACK, PANEL, N			
DRAWN	MJB	DATE	03/04/86
DESIGN	MJB	DATE	03/04/86
APPR.		DATE	

KINGS
 ELECTRONICS CO., INC.
 TUCKAHOE, NEW YORK 10707

UG-1095B/U

SD

G1095BC