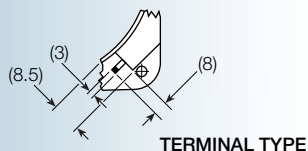
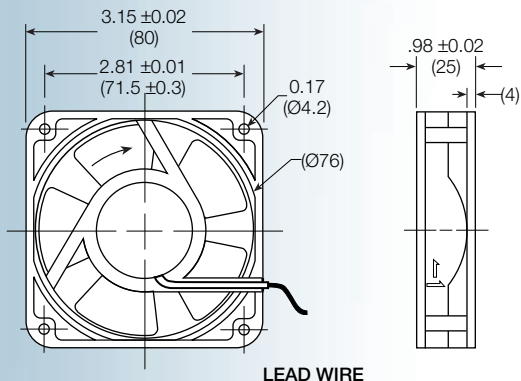


## UF80B series



**Size: (80 x 80 x 25 mm)**  
**3.15 x 3.15 x 0.98 inches**

**Operating voltage (VAC):** 115 or 230

**Construction:** aluminum die cast frame;  
 UL94V-0 PBT impeller

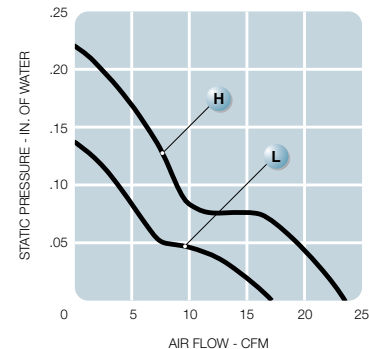
**Bearing option:** motor quality ball bearings or  
 sintered bronze sleeve

**Motor:** shaded pole

**Air flow:** exhaust over struts

**Connection:** terminal or 22 AWG lead wire

**Protection:** impedance



Model No.	Rated Voltage V	Freq. HZ	Input Power W	Rated Cur. A	Locked Cur. A	Speed RPM	Air Volume		Max Static Pressure (H <sub>2</sub> O)		Sound Noise dB	Wt OZ
							M <sup>3</sup> /Min	CFM	MM	INCH		
<b>UF80B12-__H</b>	115	60	11	0.12	0.13	3,100	0.68	24	5.5	0.22	35	9.2
<b>UF80B23-__H</b>	230	60	14	0.07	0.08	3,100	0.68	24	5.5	0.22	35	9.2
<b>UF80B12-__L</b>	115	60	11	0.12	0.13	2,400	0.50	18	3.5	0.14	31	9.2
<b>UF80B23-__L</b>	230	60	14	0.06	0.07	2,400	0.50	18	3.5	0.14	31	9.2