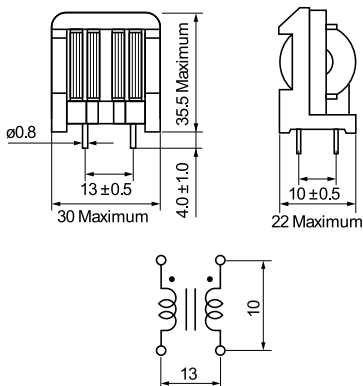


**KEMET Part Number: SS28V-20075-CH** **Not for New Design**  
 (UAL28V20075CH0, SS28V/H-20075-CH)

KEMET, SS28V/H-CH, AC Line Filters, Common Mode, 7500 uH



Dimensions	
L	30mm MAX
T	22mm MAX
H	35.5mm MAX
LL	4mm +/-1mm
S	10mm +/-0.5mm

Packaging Specifications	
Weight:	32.7 g

General Information	
Series:	SS28V/H-CH
Style:	Through-Hole
RoHS:	Yes
Miscellaneous:	Inductance Measurement Condition: 1kHz 1V KC530

Specifications	
Voltage AC:	250 VAC
Inductance:	7.5 mH
Current:	2 A
Temperature Range:	-25/+120C
DC Resistance:	220 mOhms