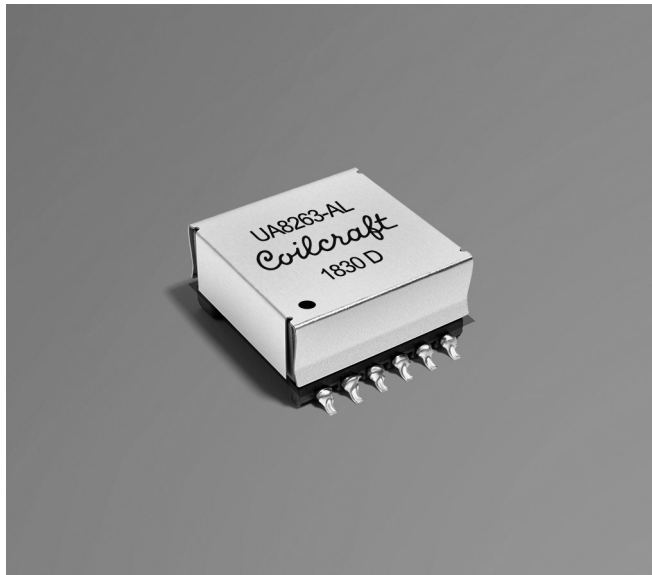


NEW!

Flyback Transformer

For TI 24 Watt Power Supply
Reference Design TIDA-01344

- Designed for Texas Instruments 24 W, 48 V automotive battery front-end power supply Reference Design TIDA-01344.
- Operates at 333 kHz with 10–80 Volts input.
- Isolation: 3000 Vrms, one minute pri and aux to sec; 1500 Vrms all pins to the core
- AEC-Q200 Grade 1 qualified

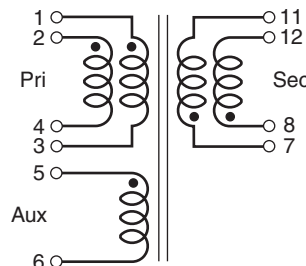
Core material Ferrite**Terminations** RoHS tin-silver-copper over tin over nickel over phos bronze.**Weight** 27.5 g**Ambient temperature** –40°C to +125°C**Maximum part temperature** +165°C (ambient + temp rise).**Storage temperature** Component: –40°C to +165°C.

Tray packaging: –40°C to +80°C

Resistance to soldering heat Max three 40 second reflows at +260°C, parts cooled to room temperature between cycles**Moisture Sensitivity Level (MSL)** 1 (unlimited floor life at <30°C / 85% relative humidity)**Failures in Time (FIT) / Mean Time Between Failures (MTBF)** 38 per billion hours / 26,315,789 hours, calculated per Telcordia SR-332**Packaging** 24 per tray**PCB washing** Tested to MIL-STD-202 Method 215 plus an additional aqueous wash. See [Doc787_PCB_Washing.pdf](#).

Part number	Inductance at 0A ¹ ±10% (µH)	Inductance at I _{pk} ² min (µH)	DCR max (Ohms)			Leakage inductance ³ max (µH)	Turns ratio		I _{pk} ² (A)	Output ⁴
			pri	sec	aux		pri:sec	pri:aux		
UA8263-AL	35.0	31.5	0.010	0.009	0.090	0.170	1:0.5	1:0.5	3.6	12 V, 2.0 A

1. Inductance is for the primary, measured at 333.33 kHz, 0.1 Vrms, 0 Adc.
 2. Peak primary current drawn at minimum input voltage.
 3. Leakage inductance is for the primary winding with all other windings shorted.
 4. Output of the auxiliary winding is 13 V, 50 mA.
 5. Electrical specifications at 25°C.
- Refer to Doc 362 "Soldering Surface Mount Components" before soldering.



These pins to be connected on the PC board: 1 to 2, 3 to 4, 7 to 8 and 11 to 12.



www.coilcraft.com

US +1-847-639-6400 sales@coilcraft.com
UK +44-1236-730595 sales@coilcraft-europe.com
Taiwan +886-2-2264 3646 sales@coilcraft.com.tw
China +86-21-6218 8074 sales@coilcraft.com.cn
Singapore + 65-6484 8412 sales@coilcraft.com.sg

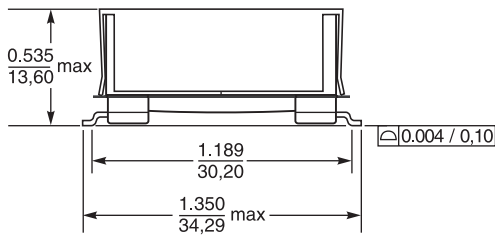
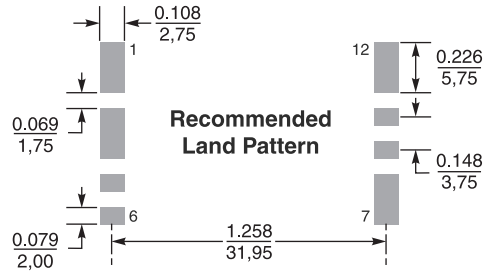
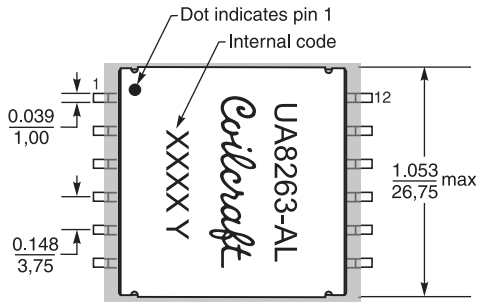
Document 1473-1 Revised 01/09/19

© Coilcraft Inc. 2019

This product may not be used in medical or high risk applications without prior Coilcraft approval. Specification subject to change without notice. Please check web site for latest information.



Flyback Transformer for Texas Instruments TIDA-01344



Dimensions are in $\frac{\text{inches}}{\text{mm}}$



www.coilcraft.com

US +1-847-639-6400 sales@coilcraft.com
UK +44-1236-730595 sales@coilcraft-europe.com
Taiwan +886-2-2264 3646 sales@coilcraft.com.tw
China +86-21-6218 8074 sales@coilcraft.com.cn
Singapore + 65-6484 8412 sales@coilcraft.com.sg

Document 1473-2 Revised 01/09/19

© Coilcraft Inc. 2019

This product may not be used in medical or high risk applications without prior Coilcraft approval. Specification subject to change without notice. Please check web site for latest information.