

REVISIONS				
REV.	ECN/E-R	DESCRIPTION	DATE	APPROVED
A		PROPOSAL	MAR26/09	
B		B-B APPLICATION ADDED	AUG13/09	

MATERIAL:

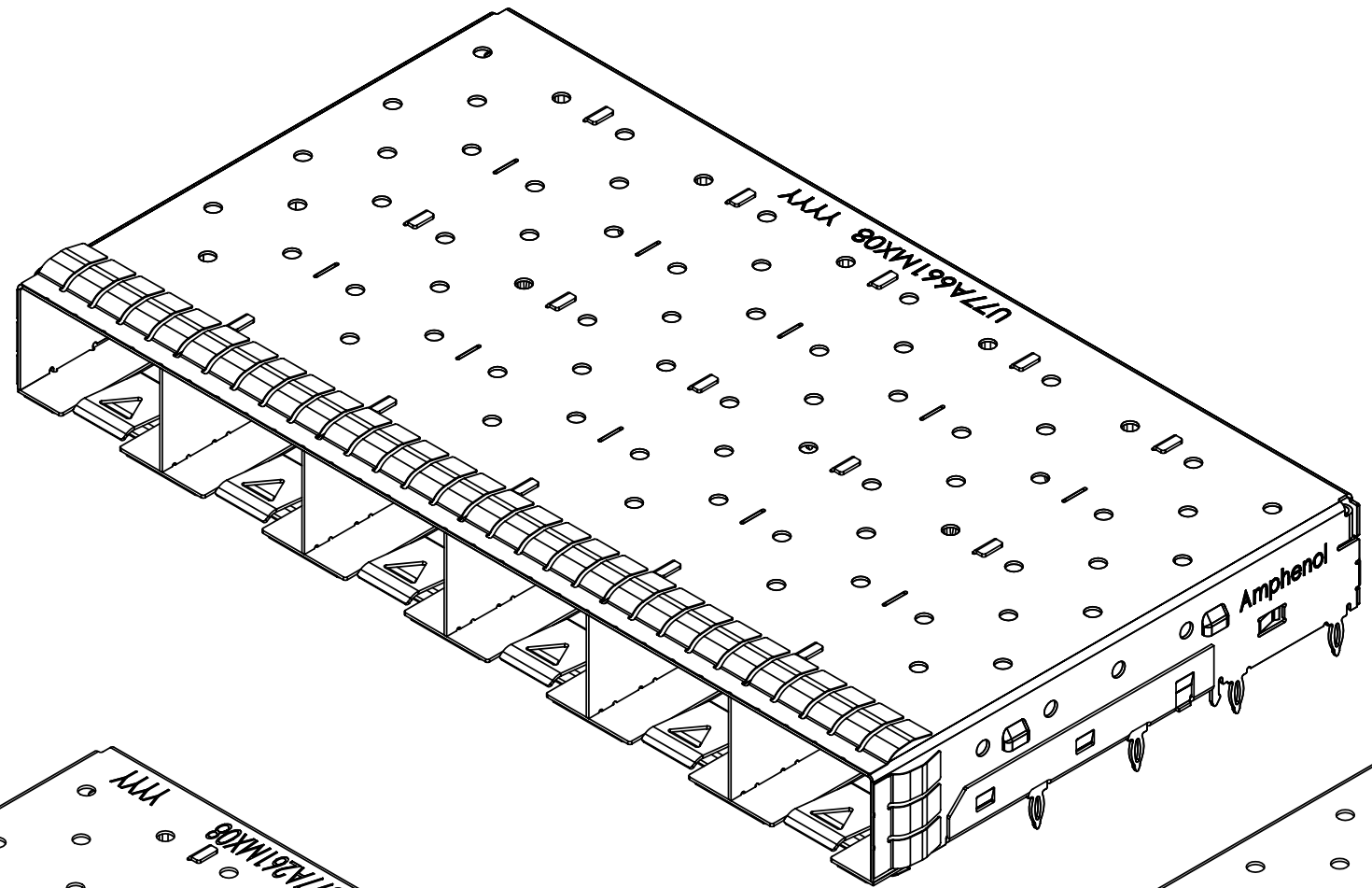
CAGE:  
COPPER ALLOY

PLATING OPTION X=2:  
2.54um MIN. NICKEL

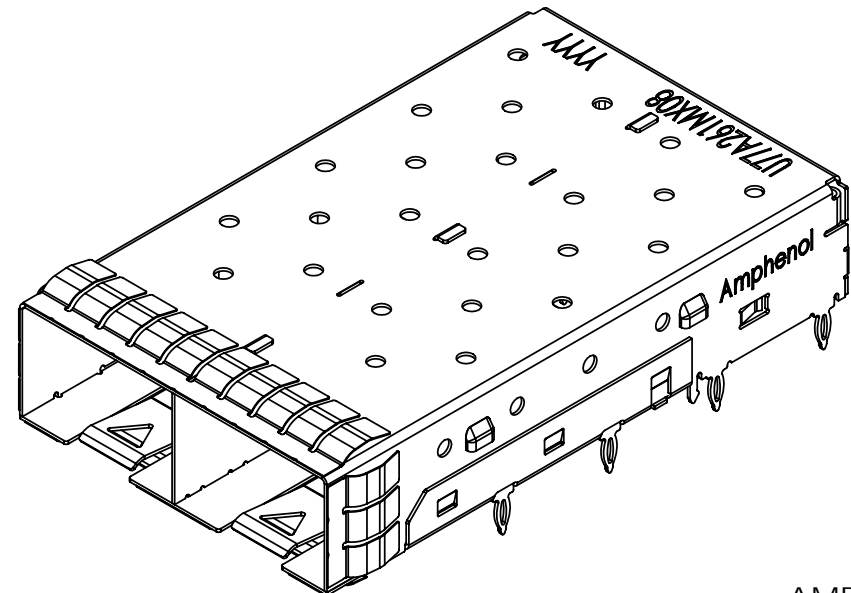
PLATING OPTION X=3:  
3.81um MIN. MATTE TIN  
OVER 1.27um MIN. NICKEL.

PACKAGING:  
TRAY PACKAGING

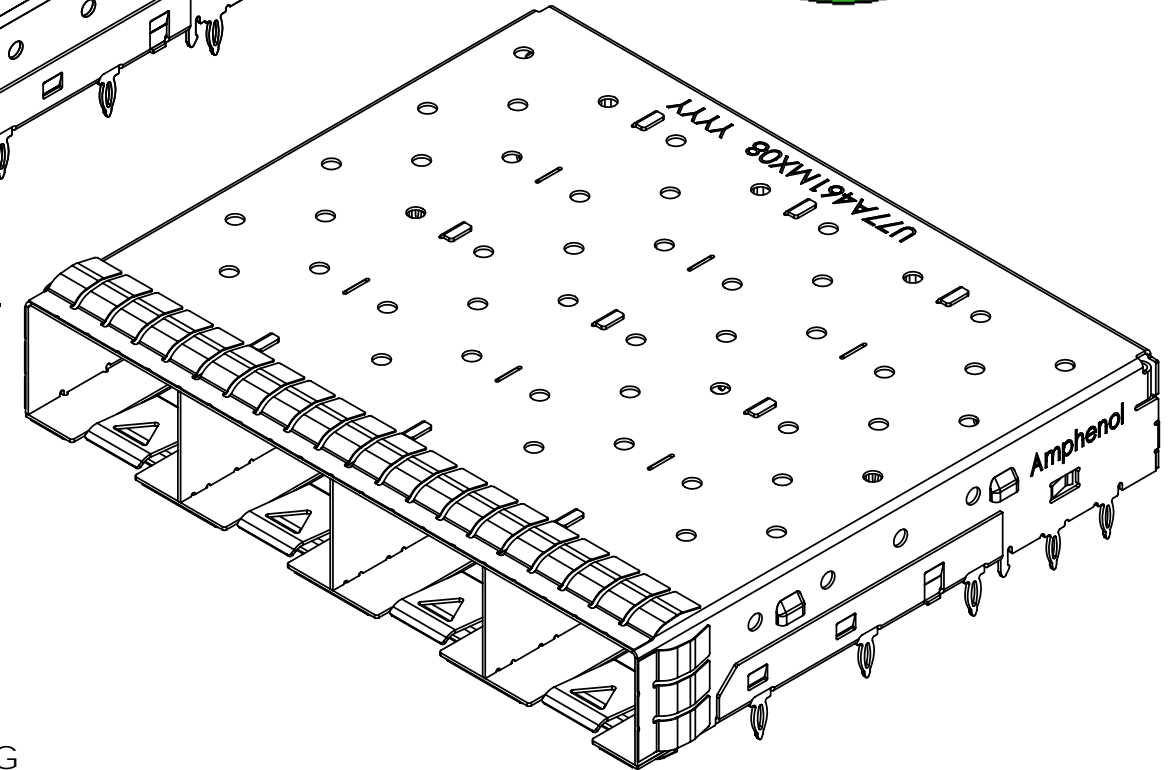
TEMPERATURE RANGE:  
-40C TO +85C



**P/N: U77-A661M-X081 SHOWN**



**P/N: U77-A261M-X081 SHOWN**



**P/N: U77-A461M-X081 SHOWN**

AMPHENOL PART NUMBER CONFIGURATION

U77 - A X 6 1 M - X 0 8 1

PACKAGING  
1 = TRAY PACKAGING

PLATING  
2 = NICKEL PLATING  
3 = MATTE TIN PLATING

NUMBER OF PORTS  
2 = 2 PORTS  
4 = 4 PORTS  
6 = 6 PORTS

**NOTE:**

**PRODUCT COMPLIES WITH SFF 8433 SPEC.**

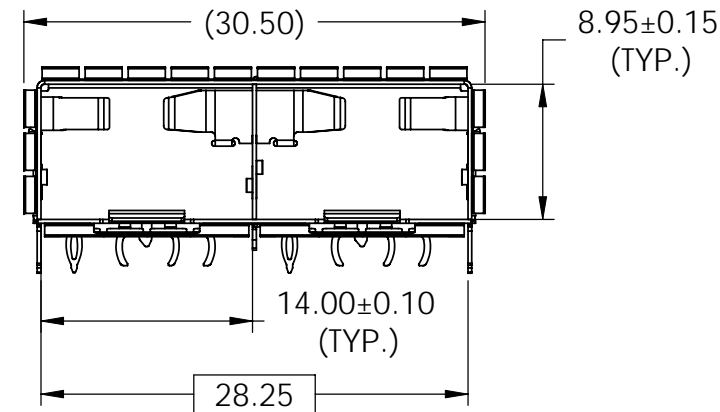
**DO NOT SCALE DRAWING**

THIS DOCUMENT CONTAINS PROPRIETARY INFORMATION AND SUCH INFORMATION MAY NOT BE DISCLOSED TO OTHERS FOR ANY PURPOSE OR USED FOR MANUFACTURING PURPOSES WITHOUT PERMISSION FROM AMPHENOL CANADA CORP.

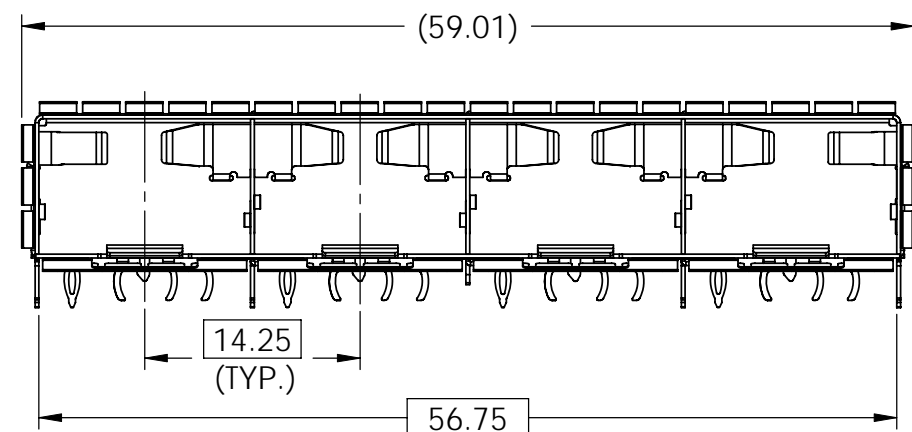
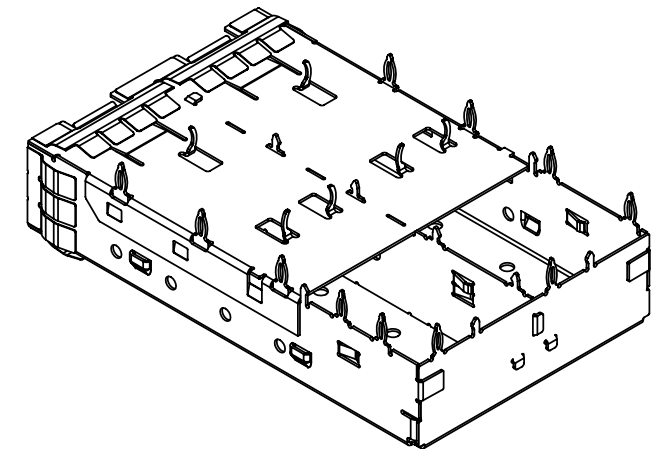
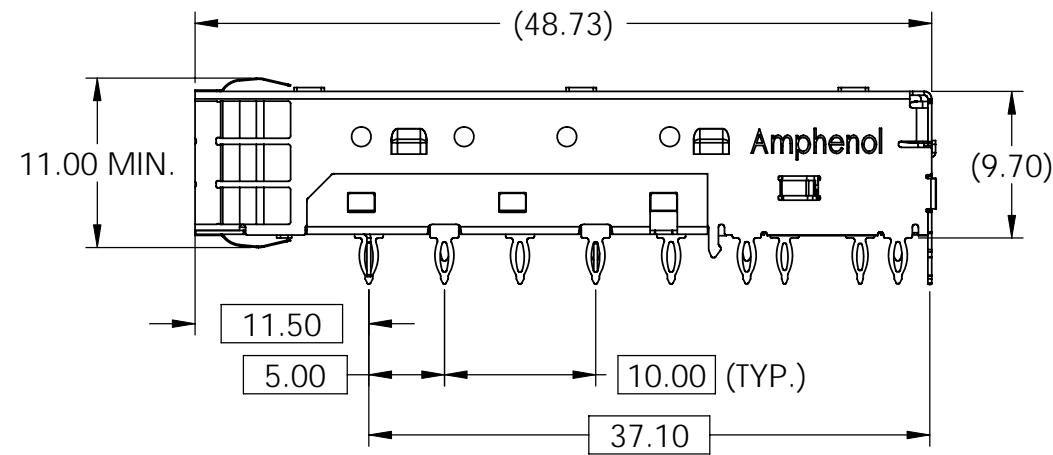
UNLESS OTHERWISE SPECIFIED DIMENSIONS ARE IN MILLIMETERS TOLERANCES ARE:		<b>APPROVALS</b>		<b>DATE</b>		<b>Amphenol Canada Corp.</b>	
DECIMALS	ANGLES	DRAWN	ChigowX	MAR14/09	TITLE		
X.X ± 0.38	± 1°	DESIGNED			1XN SFP+ CAGE ASSY WITH SPRING FINGER GASKET		
X.XX ± 0.25		CHECKED	J.SI	MAR26/09			
MATERIAL AND FINISH		QA APPD					
SEE NOTE 1							
REF.		IE APPD				SIZE	DWG. NO
						A3	P-U77-AX61M-X081
CODE IDENT. NO.	03554	DWG APPD		A.G.	MAR26/09	SCALE	2:1
						PROJECT	
						SHEET	1 OF 10

**REVISIONS**

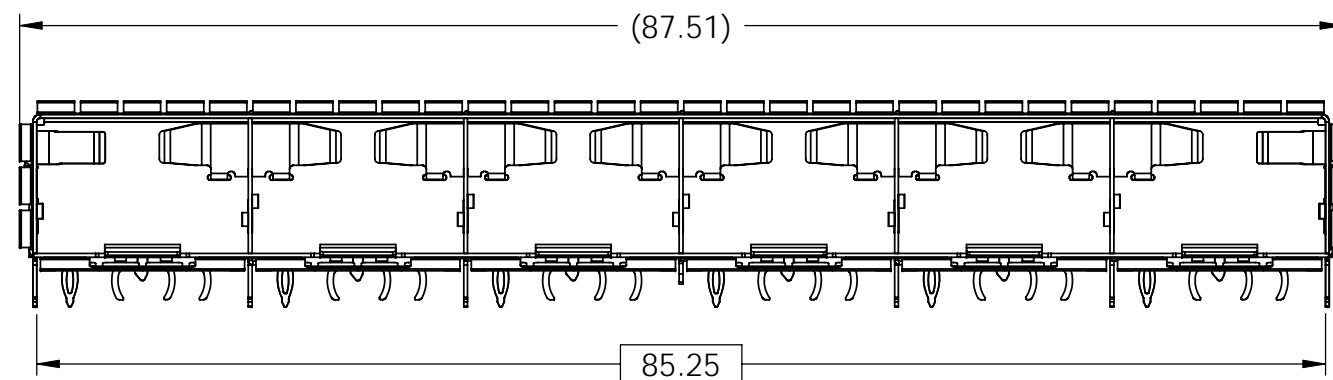
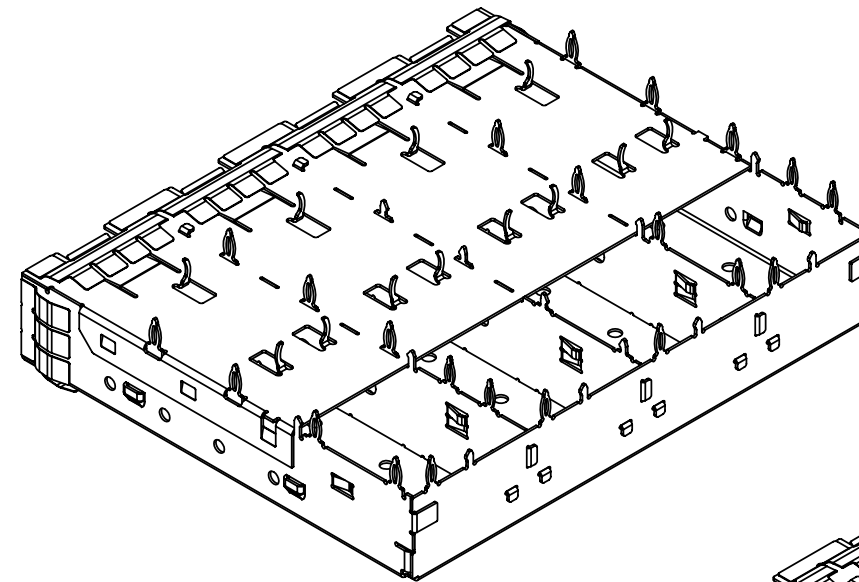
REV.	ECN/E-R	DESCRIPTION	DATE	APPROVED
A		PROPOSAL	MAR26/09	
B		B-B APPLICATION ADDED	AUG13/09	



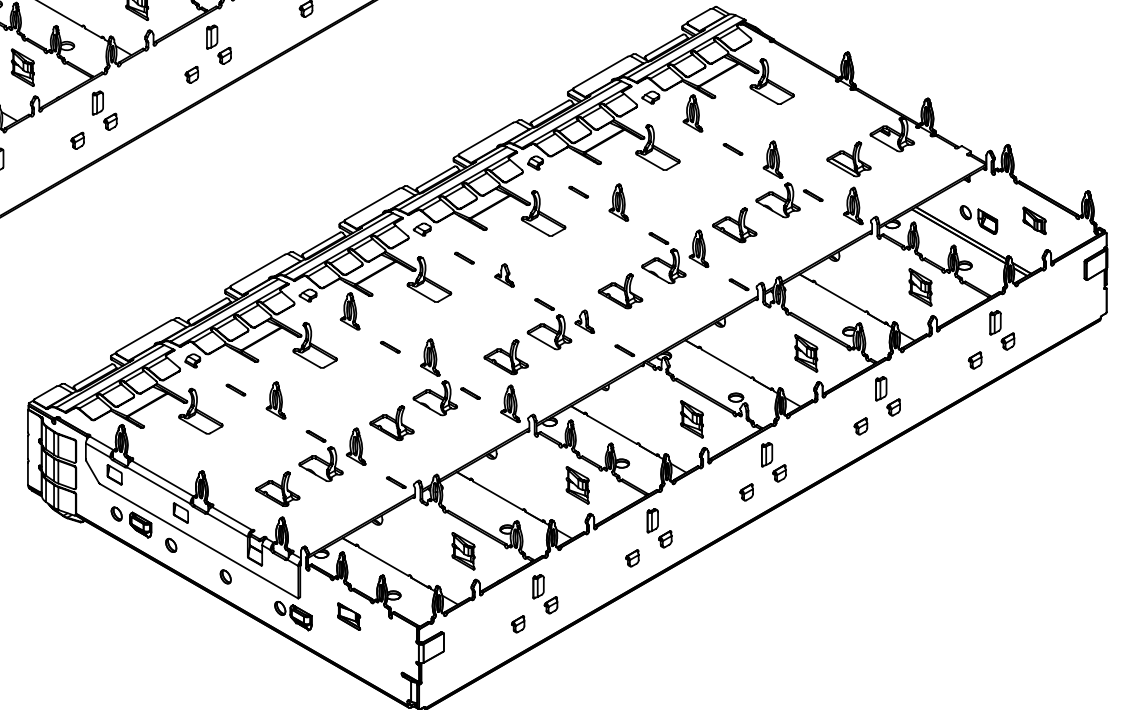
U77-A261M-X081



U77-A461M-X081



U77-A661M-X081



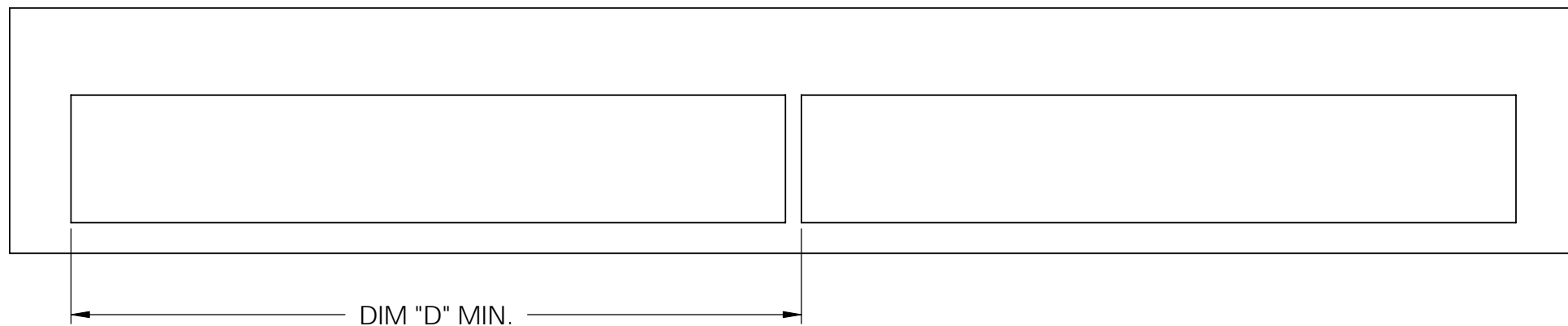
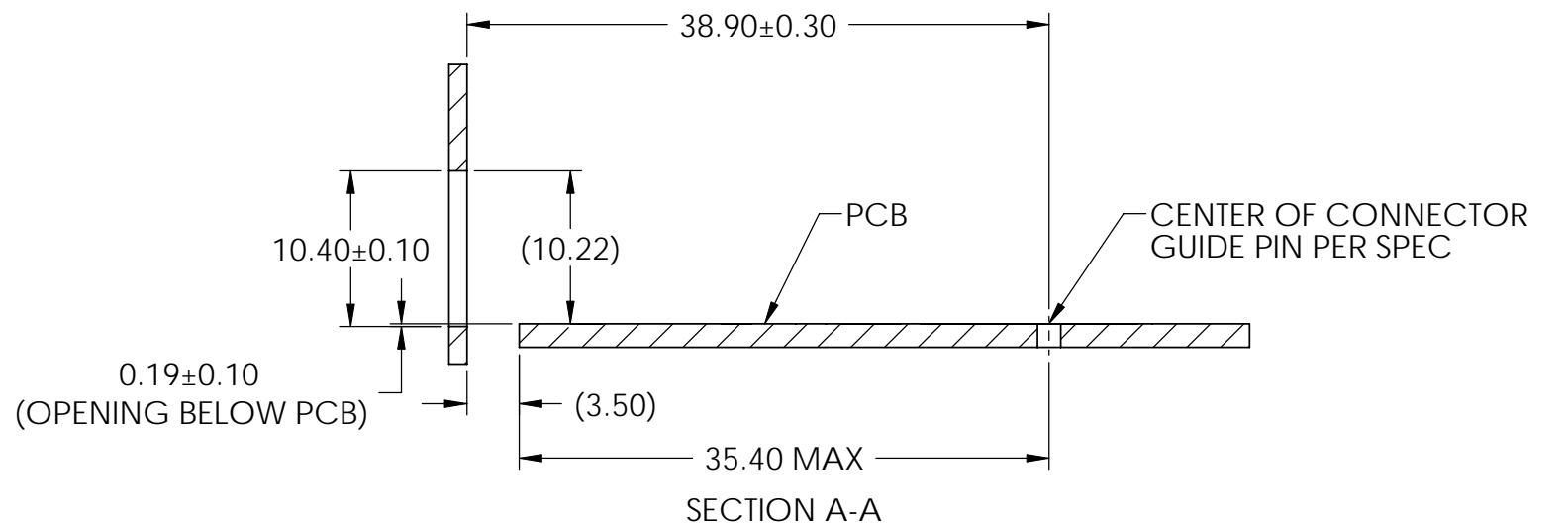
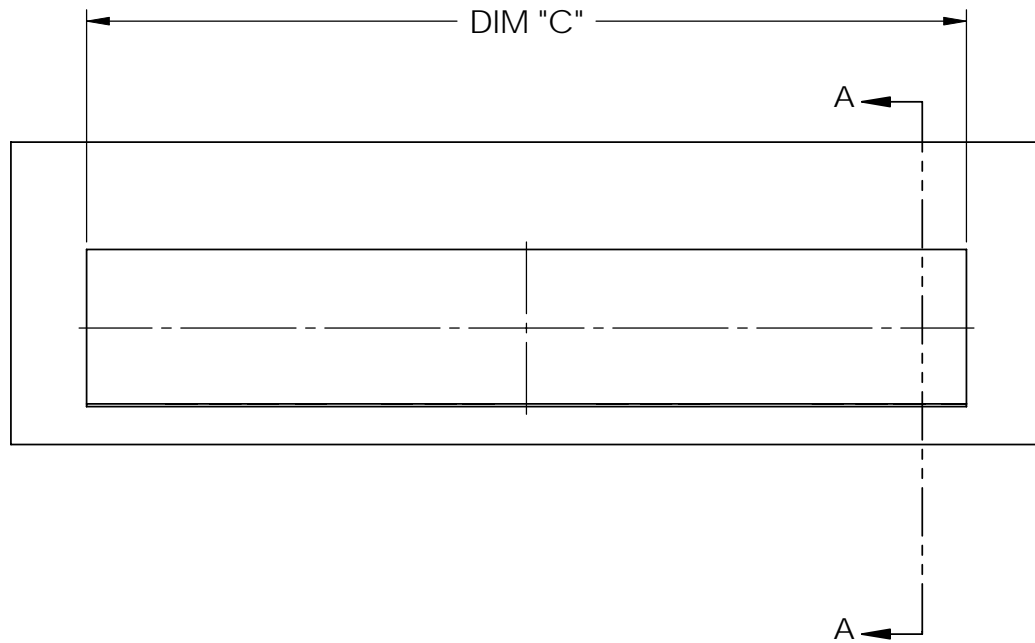
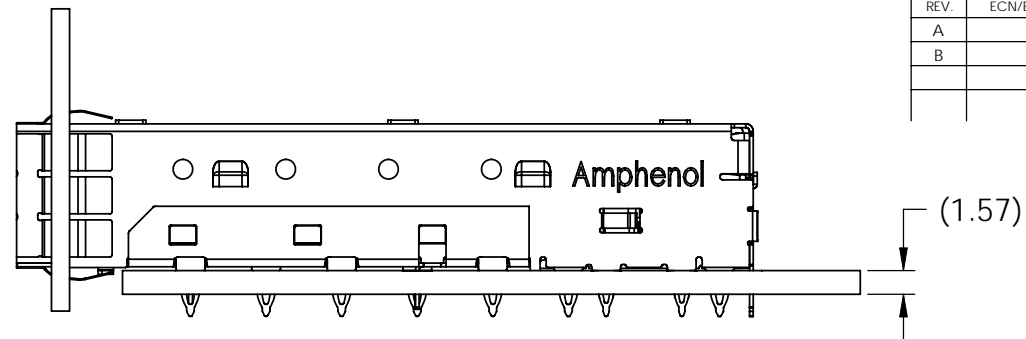
**DO NOT SCALE DRAWING**

THIS DOCUMENT CONTAINS PROPRIETARY INFORMATION AND SUCH INFORMATION MAY NOT BE DISCLOSED TO OTHERS FOR ANY PURPOSE OR USED FOR MANUFACTURING PURPOSES WITHOUT PERMISSION FROM AMPHENOL CANADA CORP.

UNLESS OTHERWISE SPECIFIED DIMENSIONS ARE IN MILLIMETERS TOLERANCES ARE:		<b>APPROVALS</b>		<b>DATE</b>		<b>Amphenol Canada Corp.</b>				
DECIMALS	ANGLES	DRAWN	DESIGNED	CHIGOWX	MAR14/09	TITLE				
X.X ± 0.38	± 1°					1XN SFP+ CAGE ASSY WITH SPRING FINGER GASKET				
X.XX ± 0.25		CHECKED		J.SI	MAR26/09	SIZE				
MATERIAL AND FINISH		QA APPD				A3	DWG. NO.	P-U77-AX61M-X081	REV.	B
SEE NOTE 1		IE APPD				SCALE	2:1	PROJECT	SHEET	
REF.		DWG APPD	A.G.	MAR26/09						2 OF 10
CODE IDENT. NO.	03554									

PART NUMBER	DIM "C"	DIM "D"
U77-A261M-X091	29.70	31.00
U77-A461M-X091	58.20	59.50
U77-A661M-X091	86.70	88.00

REVISIONS				
REV.	ECN/E-R	DESCRIPTION	DATE	APPROVED
A		PROPOSAL	MAR26/09	
B		B-B APPLICATION ADDED	AUG13/09	

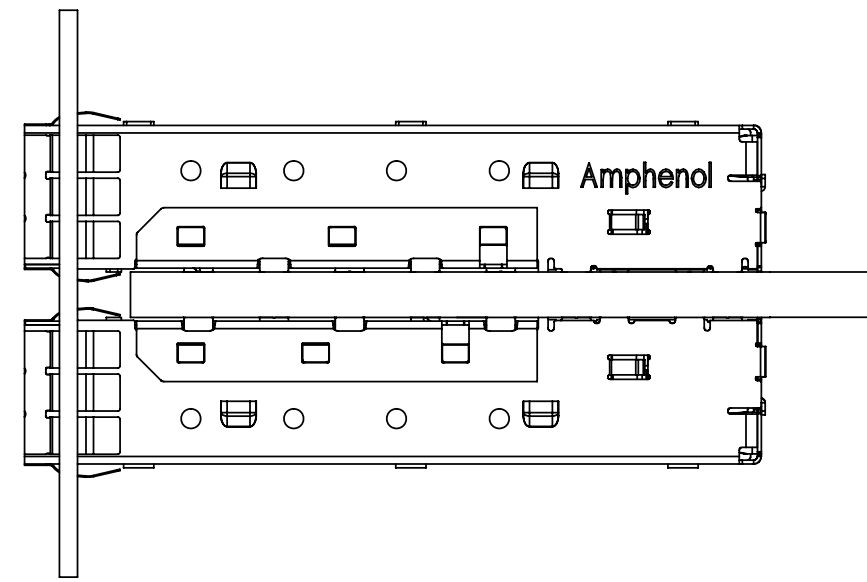


UNLESS OTHERWISE SPECIFIED DIMENSIONS ARE IN MILLIMETERS TOLERANCES ARE:		<b>APPROVALS</b>		<b>DATE</b>	<b>Amphenol Canada Corp.</b>	
DECIMALS X.X ± 0.38 X.XX ± 0.25	ANGLES ± 1°	DRAWN ChigowX	DESIGNED	MAR14/09		
MATERIAL AND FINISH SEE NOTE 1		CHECKED J.SI	QA APPD	MAR26/09	<b>1XN SFP+ CAGE ASSY WITH SPRING FINGER GASKET</b>	
REF.		IE APPD				
CODE IDENT. NO.	03554	DWG APPD A.G.		MAR26/09	SIZE A3	DWG. NO. P-U77-AX61M-X081
				SCALE 2:1	PROJECT	REV. B
					SHEET 3 OF 10	

**DO NOT SCALE DRAWING**

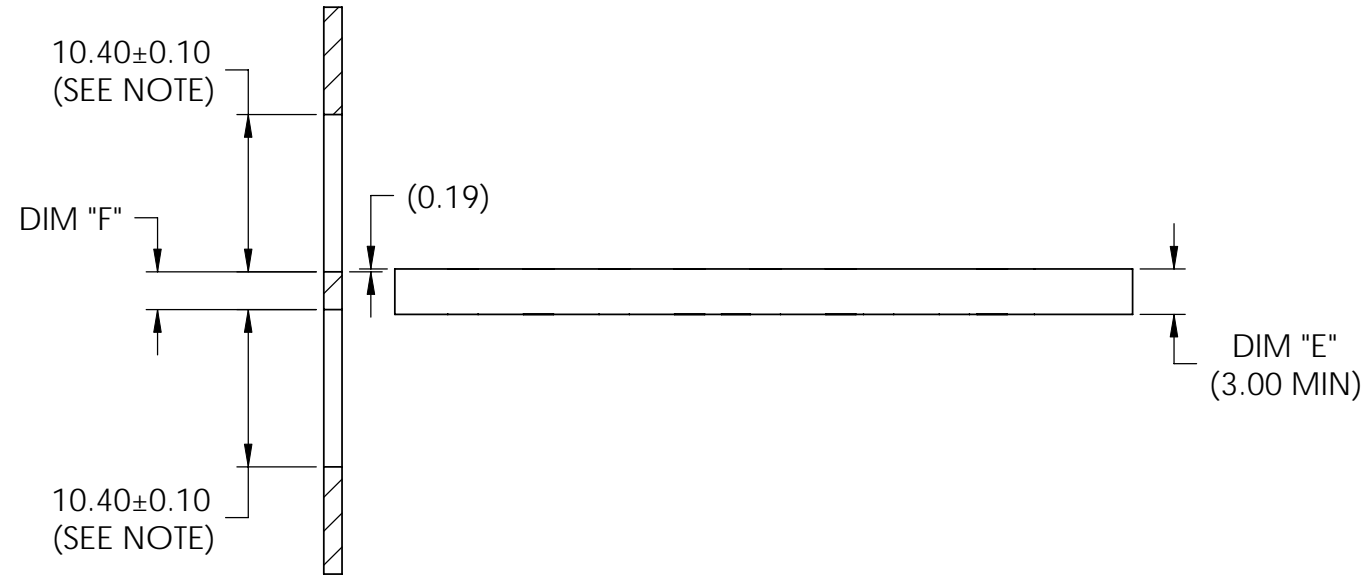
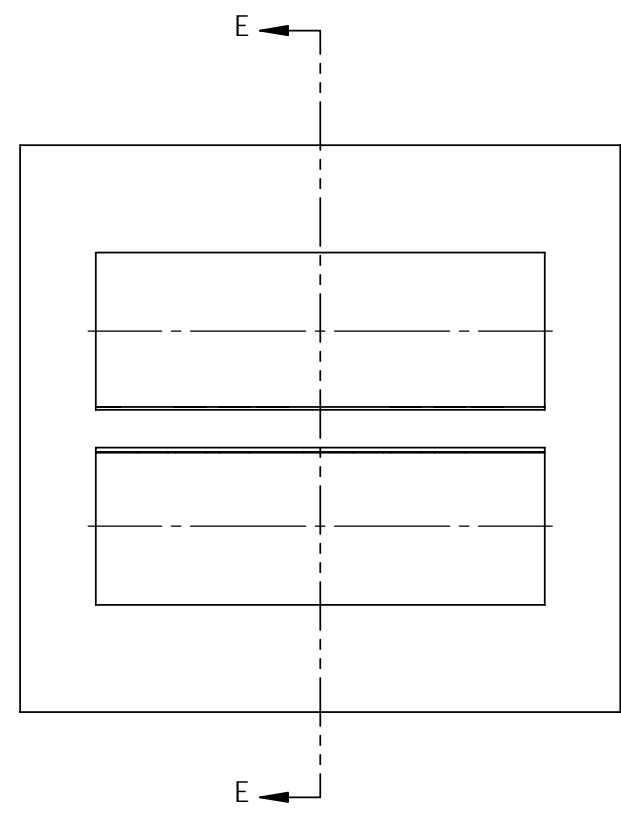
THIS DOCUMENT CONTAINS PROPRIETARY INFORMATION AND SUCH INFORMATION MAY NOT BE DISCLOSED TO OTHERS FOR ANY PURPOSE OR USED FOR MANUFACTURING PURPOSES WITHOUT PERMISSION FROM AMPHENOL CANADA CORP.

REVISIONS				
REV.	ECN/E-R	DESCRIPTION	DATE	APPROVED
A		PROPOSAL	MAR26/09	
B		B-B APPLICATION ADDED	AUG13/09	



NOTE:

PANEL CUTOUT SIZES PER SFF 8433 SPEC. FOR BELLY TO BELLY MOUNTING, DIM "E" (PCB THICKNESS) IS 3.0 mm MIN. DIM "F" RELATED TO DIM "E". FOR DIM "F" = DIM "E" - 0.44 mm. THE PANEL CUTOUT 10.40 mm MIGHT BE INCREASED UP TO 10.80 mm IN ORDER TO ACCOMMODATE PCB TOLERANCE.



SECTION E-E

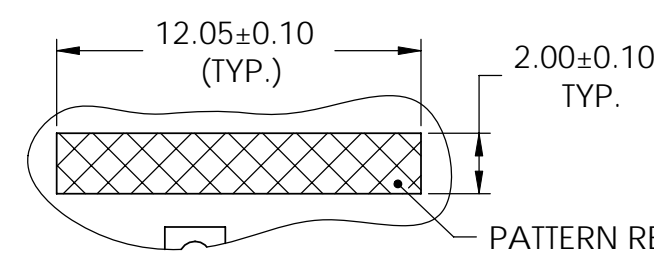
UNLESS OTHERWISE SPECIFIED DIMENSIONS ARE IN MILLIMETERS TOLERANCES ARE:		APPROVALS		DATE		Amphenol Canada Corp.	
DECIMALS	ANGLES	DRAWN	DESIGNED	MAR14/09			
X.X ± 0.38	± 1°	ChigowX		MAR26/09		1XN SFP+ CAGE ASSY WITH SPRING FINGER GASKET	
X.XX ± 0.25		CHECKED		J.SI			
MATERIAL AND FINISH		QA APPD					
SEE NOTE 1		IE APPD					
REF.		DWG APPD		A.G.		SCALE	2:1
CODE IDENT. NO.	03554	MAR26/09		SIZE	A3	DWG. NO.	P-U77-AX61M-X081
				PROJECT		REV.	B
				SHEET		4 OF 10	

DO NOT SCALE DRAWING

THIS DOCUMENT CONTAINS PROPRIETARY INFORMATION AND SUCH INFORMATION MAY NOT BE DISCLOSED TO OTHERS FOR ANY PURPOSE OR USED FOR MANUFACTURING PURPOSES WITHOUT PERMISSION FROM AMPHENOL CANADA CORP.

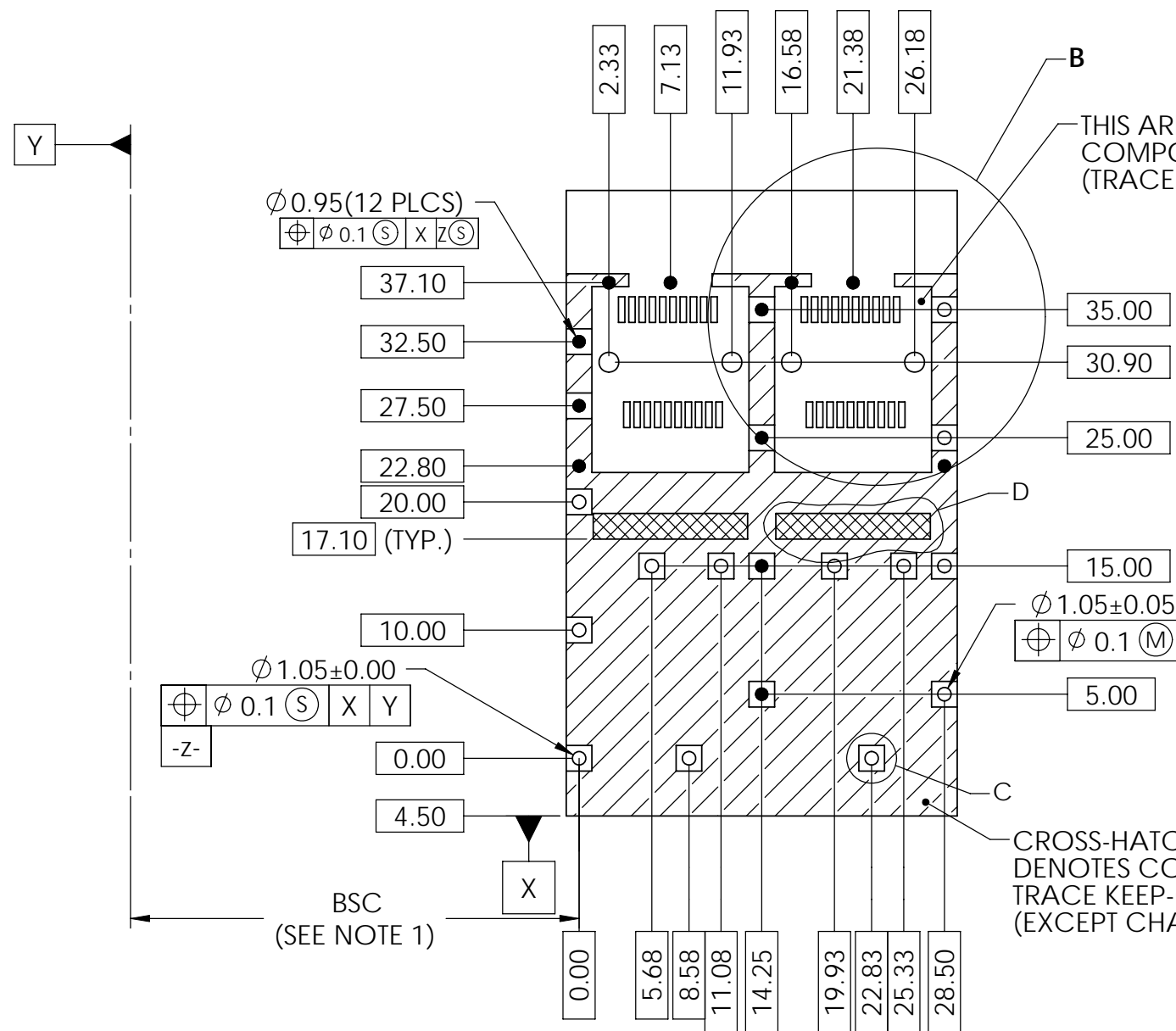
- NOTES:  
 1. DATUM AND BASIC DIMENSIONS ESTABLISHED BY CUSTOMER.  
 2. PADS AND VIAS ARE CHASSIS GROUND.  
 3. THRU-HOLES, PLATING OPTIONAL.  
 4. SEE DRAWINGS P-UX76-A20-X00XX FOR CONNECTOR LAYOUT.

REVISIONS				
REV.	ECN/E-R	DESCRIPTION	DATE	APPROVED
A		PROPOSAL	MAR26/09	
B		B-B APPLICATION ADDED	AUG13/09	



PATTERN REPEATS FOR EACH PORT.  
 SPACING BETWEEN PORTS IS 14.25mm.  
 APPLIES TO ALL GANGED LAYOUTS

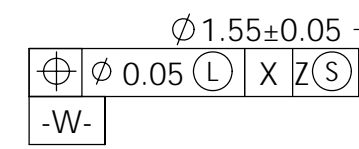
DETAIL D  
 SCALE 4 : 1



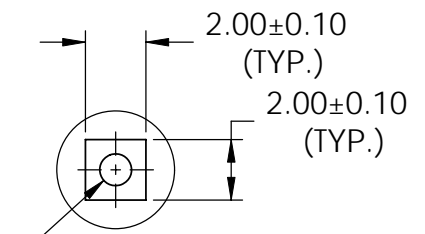
THIS AREA DENOTES  
 COMPONENTS KEEP-OUT  
 (TRACES ALLOWED)

CROSS-HATCHED AREA  
 DENOTES COMPONENT AND  
 TRACE KEEP-OUT  
 (EXCEPT CHASSIS GROUND)

BSC  
 (SEE NOTE 1)



DETAIL B  
 SCALE 4 : 1



DETAIL C  
 SCALE 4 : 1

**RECOMMENDED PCB DESIGN  
 FOR SINGLE SIDE MOUNTING  
 (P/N U77-A261M-X081)**

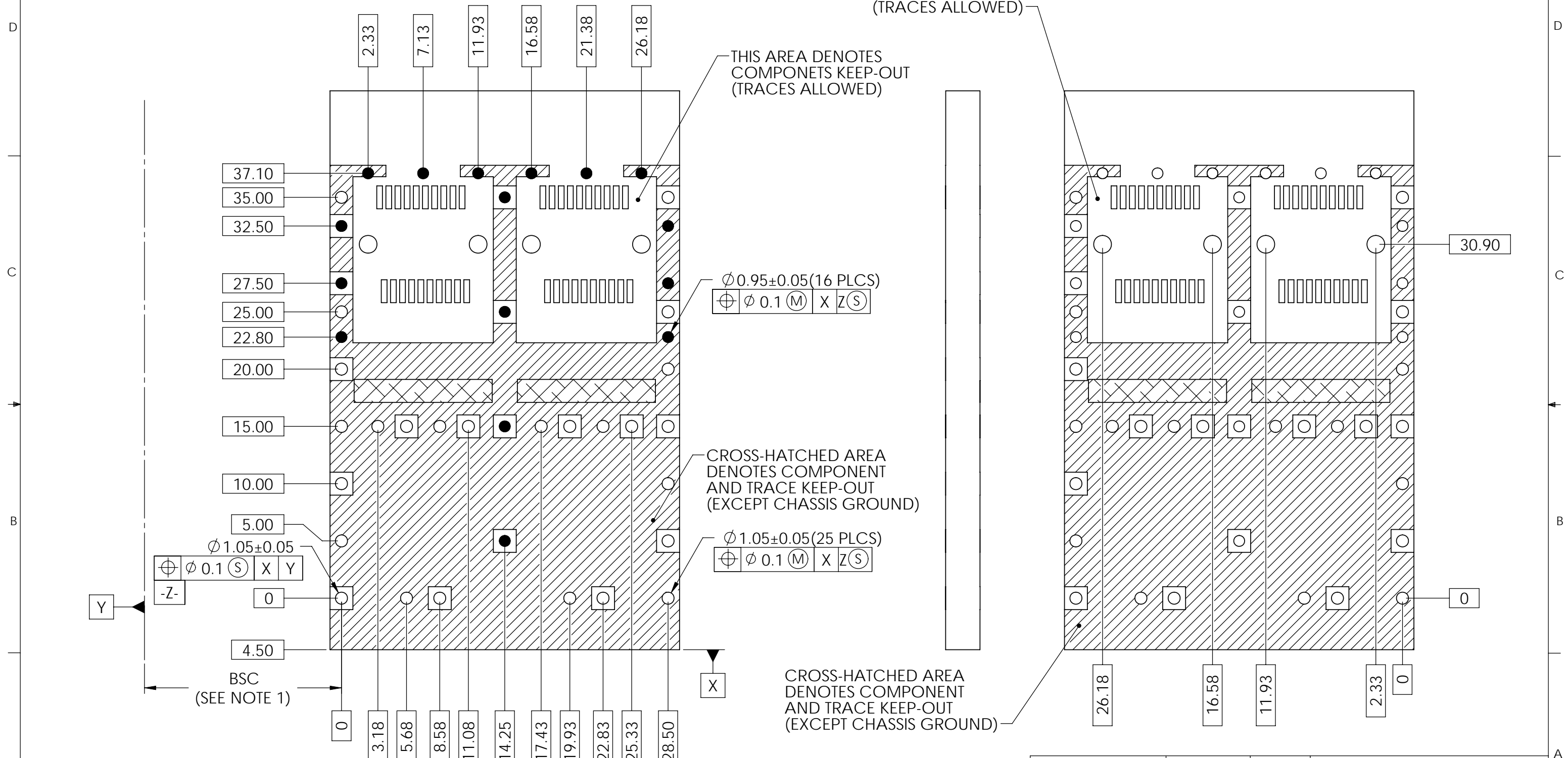
DO NOT SCALE DRAWING

THIS DOCUMENT CONTAINS PROPRIETARY INFORMATION AND SUCH INFORMATION MAY NOT BE DISCLOSED TO OTHERS FOR ANY PURPOSE OR USED FOR MANUFACTURING PURPOSES WITHOUT PERMISSION FROM AMPHENOL CANADA CORP.

UNLESS OTHERWISE SPECIFIED DIMENSIONS ARE IN MILLIMETERS TOLERANCES ARE:  DECIMALS      ANGLES X.X ± 0.38      ± 1° X.XX ± 0.25	APPROVALS	DATE	Amphenol Canada Corp.	
	DRAWN ChigowX	MAR14/09		
	DESIGNED		1XN SFP+ CAGE ASSY WITH SPRING FINGER GASKET	
	CHECKED J.SI	MAR26/09		
MATERIAL AND FINISH SEE NOTE 1	QA APPD		SIZE A3	DWG. NO. P-U77-AX61M-X081
REF.	IE APPD		SCALE 2:1	PROJECT
CODE IDENT. NO. 03554	DWG APPD A.G.	MAR26/09	SHEET 5 OF 10	

- NOTES:  
 1. DATUM AND BASIC DIMENSIONS ESTABLISHED BY CUSTOMER.  
 2. PADS AND VIAS ARE CHASSIS GROUND.  
 3. THRU-HOLES, PLATING OPTIONAL.  
 4. SEE DRAWINGS P-UX76-A20-X00XX FOR CONNECTOR LAYOUT.

REVISIONS				
REV.	ECN/E-R	DESCRIPTION	DATE	APPROVED
A		PROPOSAL	MAR26/09	
B		B-B APPLICATION ADDED	AUG13/09	



**RECOMMENDED PCB DESIGN  
 FOR BELLY TO BELLY MOUNTING  
 (P/N U77-A261M-X081)**

**DO NOT SCALE DRAWING**

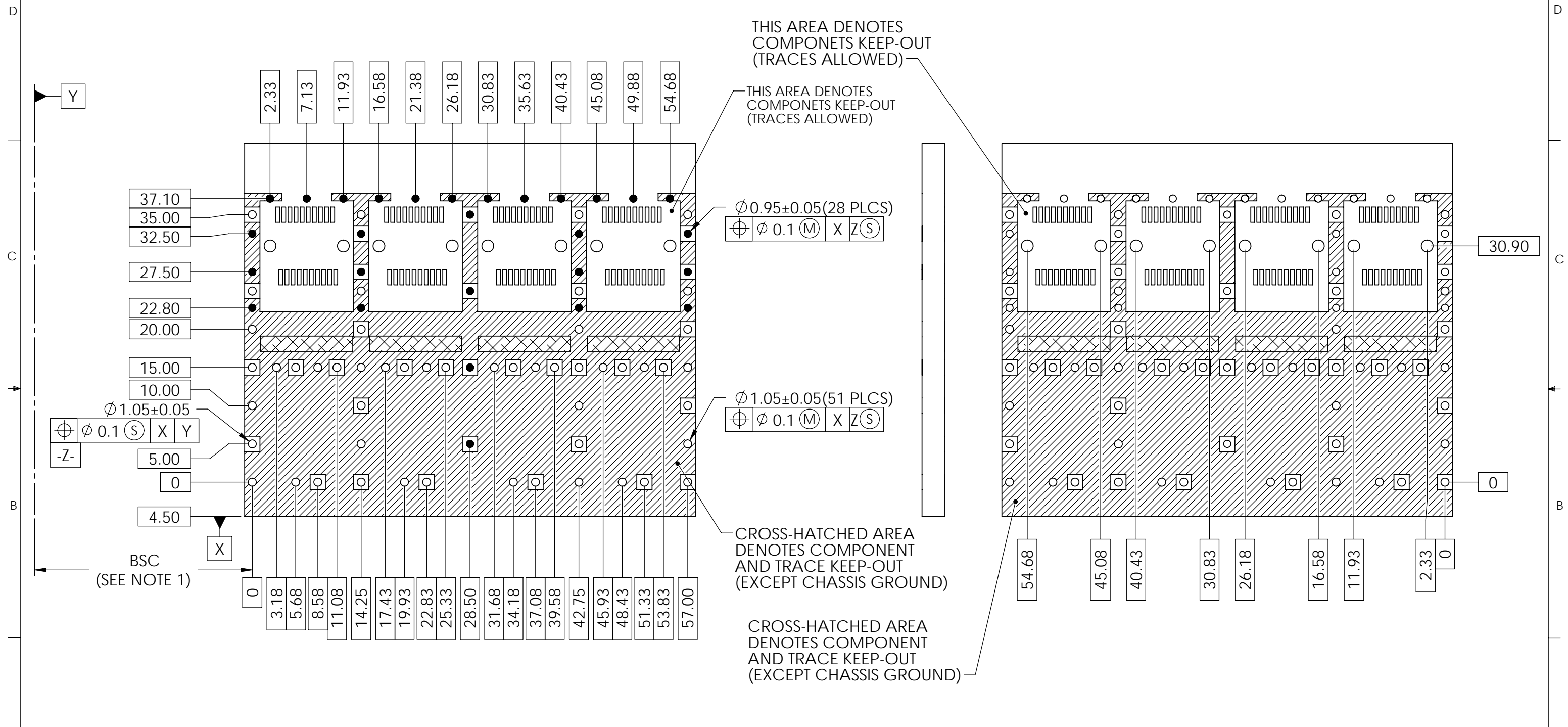
THIS DOCUMENT CONTAINS PROPRIETARY INFORMATION AND SUCH INFORMATION MAY NOT BE DISCLOSED TO OTHERS FOR ANY PURPOSE OR USED FOR MANUFACTURING PURPOSES WITHOUT PERMISSION FROM AMPHENOL CANADA CORP.

UNLESS OTHERWISE SPECIFIED DIMENSIONS ARE IN MILLIMETERS TOLERANCES ARE:  DECIMALS      ANGLES X.X ± 0.38      ± 1° X.XX ± 0.25	APPROVALS		DATE	Amphenol Canada Corp.	
	DRAWN	ChigowX	MAR14/09		
	DESIGNED			1XN SFP+ CAGE ASSY WITH SPRING FINGER GASKET	
	CHECKED	J.SI	MAR26/09		
MATERIAL AND FINISH		QA APPD		SIZE A3    DWG. NO. P-U77-AX61M-X081    REV. B	
SEE NOTE 1		IE APPD			
REF.	DWG APPD		A.G.	MAR26/09	SCALE 3:1
CODE IDENT. NO.	03554	PROJECT		SHEET 6 OF 10	



- NOTES:  
 1. DATUM AND BASIC DIMENSIONS ESTABLISHED BY CUSTOMER.  
 2. PADS AND VIAS ARE CHASSIS GROUND.  
 3. THRU-HOLES, PLATING OPTIONAL.  
 4. SEE DRAWINGS P-UX76-A20-X00XX FOR CONNECTOR LAYOUT.

REVISIONS				
REV.	ECN/E-R	DESCRIPTION	DATE	APPROVED
A		PROPOSAL	MAR26/09	
B		B-B APPLICATION ADDED	AUG13/09	



**RECOMMENDED PCB DESIGN  
 FOR BELLY TO BELLY MOUNTING  
 (P/N U77-A461M-X081)**

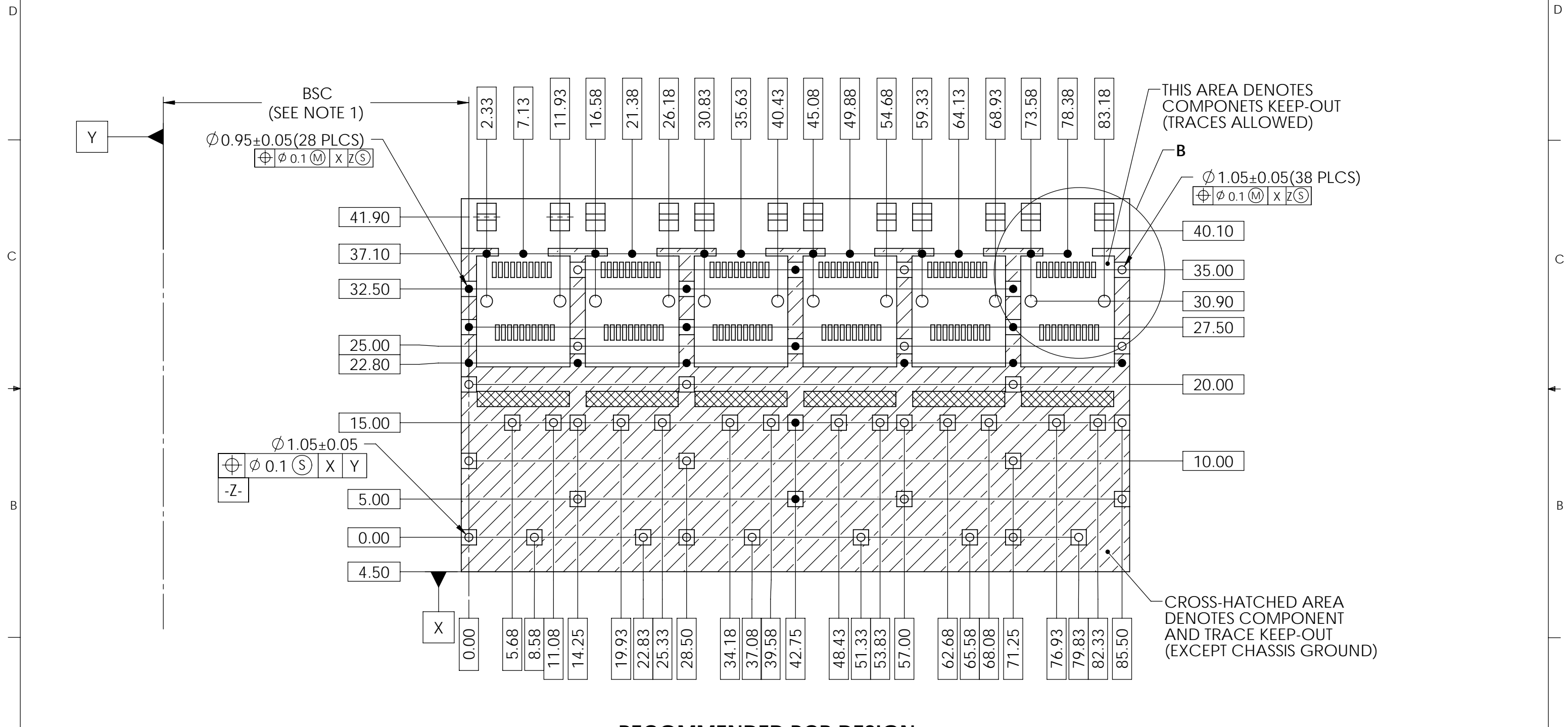
**DO NOT SCALE DRAWING**

THIS DOCUMENT CONTAINS PROPRIETARY INFORMATION AND SUCH INFORMATION MAY NOT BE DISCLOSED TO OTHERS FOR ANY PURPOSE OR USED FOR MANUFACTURING PURPOSES WITHOUT PERMISSION FROM AMPHENOL CANADA CORP.

UNLESS OTHERWISE SPECIFIED DIMENSIONS ARE IN MILLIMETERS TOLERANCES ARE:  DECIMALS X.X ± 0.38 X.XX ± 0.25  MATERIAL AND FINISH SEE NOTE 1  REF.  CODE IDENT. NO. 03554	<b>APPROVALS</b>	<b>DATE</b>	<b>Amphenol Canada Corp.</b>  TITLE <b>1XN SFP+ CAGE ASSY WITH SPRING FINGER GASKET</b>  SIZE <b>A3</b> DWG. NO. <b>P-U77-AX61M-X081</b> REV. <b>B</b>  SCALE <b>2:1</b> PROJECT SHEET <b>8 OF 10</b>
	DRAWN <b>ChigowX</b>	MAR14/09	
	DESIGNED		
	CHECKED <b>J.SI</b>	MAR26/09	
	QA APPD		
	IE APPD		
	DWG APPD <b>A.G.</b>	MAR26/09	

- NOTES:  
 1. DATUM AND BASIC DIMENSIONS ESTABLISHED BY CUSTOMER.  
 2. PADS AND VIAS ARE CHASSIS GROUND.  
 3. THRU-HOLES, PLATING OPTIONAL.  
 4. SEE DRAWINGS P-UX76-A20-X00XX FOR CONNECTOR LAYOUT.

REVISIONS				
REV.	ECN/E-R	DESCRIPTION	DATE	APPROVED
A		PROPOSAL	MAR26/09	
B		B-B APPLICATION ADDED	AUG13/09	



**RECOMMENDED PCB DESIGN  
 FOR SINGLE SIDE MOUNTING  
 (P/N U77-A661M-X081)**

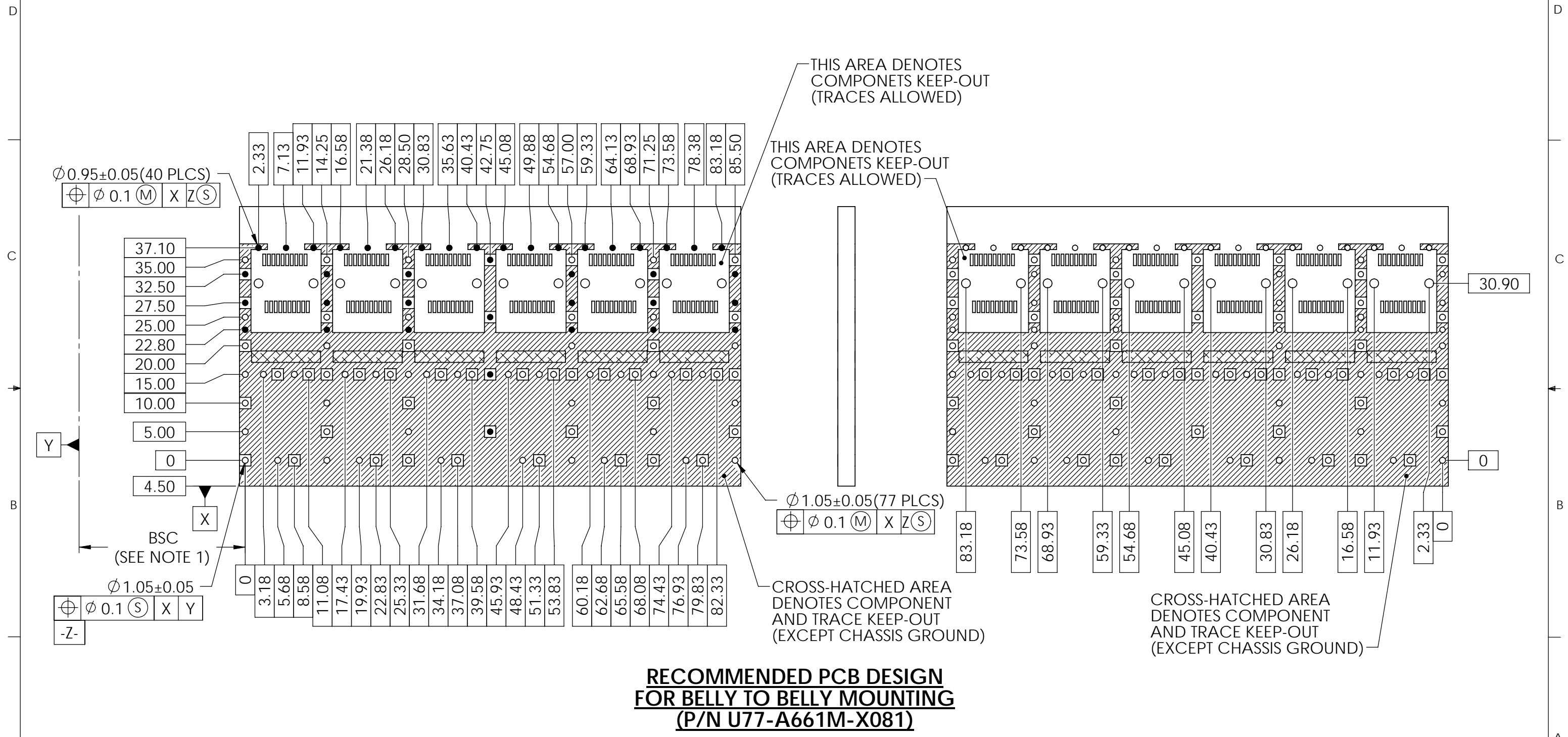
**DO NOT SCALE DRAWING**

THIS DOCUMENT CONTAINS PROPRIETARY INFORMATION AND SUCH INFORMATION MAY NOT BE DISCLOSED TO OTHERS FOR ANY PURPOSE OR USED FOR MANUFACTURING PURPOSES WITHOUT PERMISSION FROM AMPHENOL CANADA CORP.

UNLESS OTHERWISE SPECIFIED DIMENSIONS ARE IN MILLIMETERS TOLERANCES ARE: DECIMALS X.X ± 0.38 X.XX ± 0.25 MATERIAL AND FINISH SEE NOTE 1 REF. CODE IDENT. NO. 03554		APPROVALS DRAWN ChigowX DESIGNED CHECKED J.SI QA APPD IE APPD DWG APPD A.G.	DATE MAR14/09 MAR26/09 MAR26/09	Amphenol Canada Corp. TITLE 1XN SFP+ CAGE ASSY WITH SPRING FINGER GASKET SIZE A3 DWG. NO. P-U77-AX61M-X081 SCALE 1:1 PROJECT SHEET 9 OF 10
---	--	---	--	---

- NOTES:  
 1. DATUM AND BASIC DIMENSIONS ESTABLISHED BY CUSTOMER.  
 2. PADS AND VIAS ARE CHASSIS GROUND.  
 3. THRU-HOLES, PLATING OPTIONAL.  
 4. SEE DRAWINGS P-UX76-A20-X00XX FOR CONNECTOR LAYOUT.

REVISIONS				
REV.	ECN/E-R	DESCRIPTION	DATE	APPROVED
A		PROPOSAL	MAR26/09	
B		B-B APPLICATION ADDED	AUG13/09	



**RECOMMENDED PCB DESIGN  
 FOR BELLY TO BELLY MOUNTING  
 (P/N U77-A661M-X081)**

**DO NOT SCALE DRAWING**

THIS DOCUMENT CONTAINS PROPRIETARY INFORMATION AND SUCH INFORMATION MAY NOT BE DISCLOSED TO OTHERS FOR ANY PURPOSE OR USED FOR MANUFACTURING PURPOSES WITHOUT PERMISSION FROM AMPHENOL CANADA CORP.

UNLESS OTHERWISE SPECIFIED DIMENSIONS ARE IN MILLIMETERS TOLERANCES ARE:  DECIMALS      ANGLES X.X ± 0.38      ± 1° X.XX ± 0.25	<b>APPROVALS</b>	<b>DATE</b>	<b>Amphenol Canada Corp.</b>	
	DRAWN: ChigowX	MAR14/09		
	DESIGNED:		<b>1XN SFP+ CAGE ASSY WITH SPRING FINGER GASKET</b>	
	CHECKED: J.SI	MAR26/09		
MATERIAL AND FINISH: SEE NOTE 1	QA APPD:		SIZE: A3	DWG. NO: P-U77-AX61M-X081
REF:	IE APPD:		SCALE: 3:2	PROJECT:
CODE IDENT. NO: 03554	DWG APPD: A.G.	MAR26/09	SHEET: 10 OF 10	REV: B