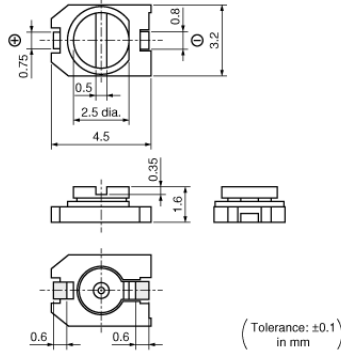


TZC3Z030A110R00



Appearance & Shape



Features

1. Small size with external dimension of 3.2(W)x4.5(L)x1.6(H)mm.
2. Color coded stator permits easy identification of capacitance and reduces mounting errors.
3. Can be adjusted with conventional adjustment tools having a thickness of 0.5mm.
4. Designed for automatic placement in surface mount applications.
5. Heat resistant resin withstands reflow soldering temperatures.

Packaging Information

Packaging	Specifications	Minimum Order Quantity
R00	180mm Embossed Tape	1000

Attention

1. This datasheet is downloaded from the website of Murata Manufacturing Co., Ltd. Therefore, its specifications are subject to change or our products in it may be discontinued without advance notice. Please check with our sales representatives or product engineers before ordering.
2. This datasheet has only typical specifications because there is no space for detailed specifications. Therefore, please review our product specifications or consult the approval sheet for product specifications before ordering.

TZC3Z030A110R00



Specifications

Shape	SMD
Operating Temperature Range	-25°C to 85°C
Thickness	1.6mm
Thickness Tolerance	±0.1
Rated Voltage	100Vdc
Cmin.(max.)	1.4pF
Cmax.	3pF
Cmax. Tolerance	+50/-0%
Adjustment Direction	Top
TC	NP0±300ppm/°C
Q	300min. at 1MHz, Cmax.
Withstanding Voltage	220Vdc
Insulation Resistance(min.)	10000MΩ
Torque	1.5 to 9.8mNm
Stator/Case Color	Brown
Mass	0.05g

Attention

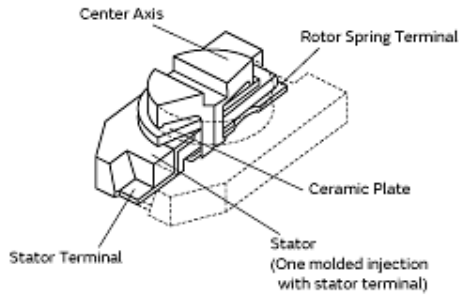
1.This datasheet is downloaded from the website of Murata Manufacturing Co., Ltd. Therefore, it's specifications are subject to change or our products in it may be discontinued without advance notice. Please check with our sales representatives or product engineers before ordering.

2.This datasheet has only typical specifications because there is no space for detailed specifications.

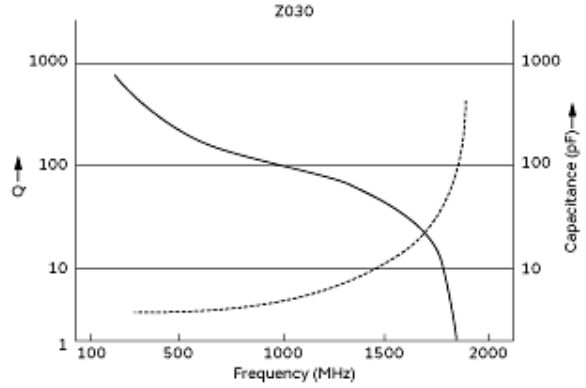
Therefore, please review our product specifications or consult the approval sheet for product specifications before ordering.

TZC3Z030A110R00

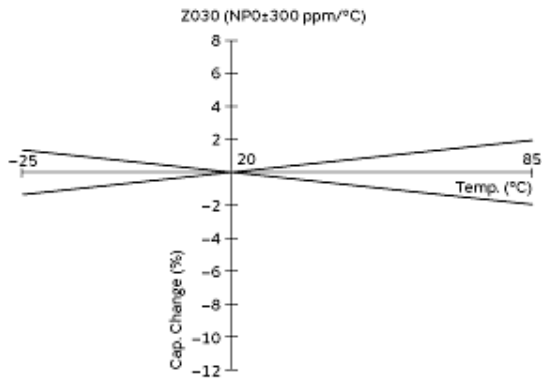
Product Data



Constructions



Frequency Characteristics



Temp. Coeff. Characteristics

Attention

- 1.This datasheet is downloaded from the website of Murata Manufacturing Co., Ltd. Therefore, it's specifications are subject to change or our products in it may be discontinued without advance notice. Please check with our sales representatives or product engineers before ordering.
- 2.This datasheet has only typical specifications because there is no space for detailed specifications.
Therefore, please review our product specifications or consult the approval sheet for product specifications before ordering.