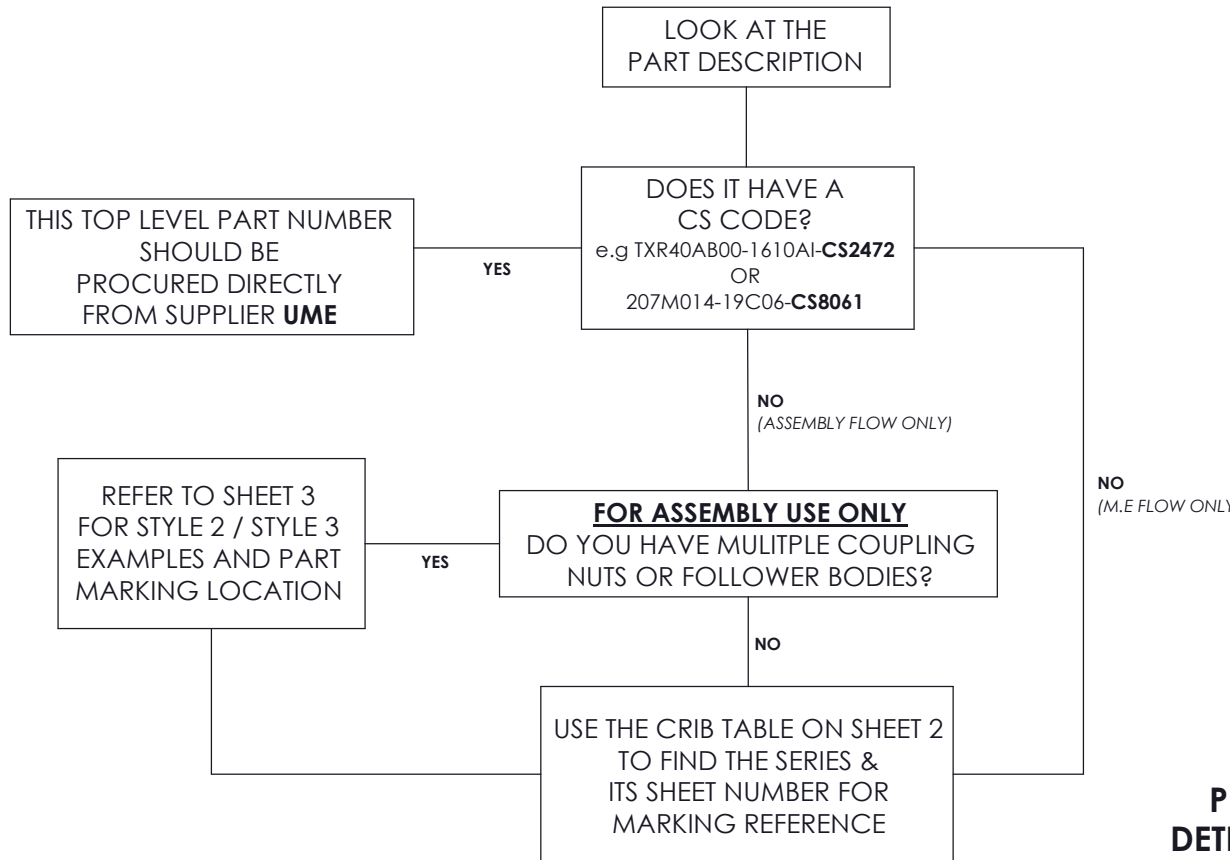


PART MARKING GUIDE FOR RAYCHEM CIRCULAR BACKSHELLS

THIS DOCUMENT TAKES PRECEDENCE OVER PRODUCTION DRAWINGS (BOM) & CUSTOMER DRAWINGS

DM0079

THIS DRAWING IS A CONTROLLED DOCUMENT DWG NO



- OTHER PART MARKING DOCUMENTS IF REQUIRED: -
- DM0044 - PROTECTION CAPS
 - DM0050 - MICRO MIN BACKSHELLS
 - DM0051 - D-SUB BACKSHELLS
 - DM0107 - 85049 PRODUCTS
 - DM0113 - CIRCULAR BACKSHELLS

PLEASE USE THIS FLOW CHART TO DETERMINE IF ANY EXEMPTIONS TAKE EFFECT, IF NOT THEN PROCEED TO THE CRIB TABLE ON SHEET 2.

AA	CRN 26756	01/10/2024	NH	RS
2	TMEPLATE UPDATED	08/03/2018	KKW	RS
1	INITIAL RELEASE	23/02/2015	KKW	KS
REV	DESCRIPTION	DATE	DWN	APVD

DIMENSIONS: mm	
ALL DIAMETERS 10	
SURFACE FINISH Ra1.6 MAX REMOVE ALL BURRS AND SHARP EDGES TO 0,1 MAX	

TOLERANCES UNLESS OTHERWISE SPECIFIED:	
0 PLC	±0,40
1 PLC	±0,20
2 PLC	±0,10
ANGLES	±1°
ALL FILLETS	0,4 MAX

DWN	16/02/2015	MATERIAL	N/A	HEAT TREAT	N/A
CHK	23/02/2015	K.KUTA-WINCZURA			
APVD	16/02/2015	K.SHEPPARD			
NAME	PART MARK GUIDE FOR CIRCULAR BACKSHELLS (RAYCHEM PARTS)				
SCALE	2:1	SIZE	A3	PART NO	DM0079
SHEET	1	OF	7	REV	AA



THIS INFORMATION IS CONFIDENTIAL AND PROPRIETARY TO TYCO ELECTRONICS CORPORATION AND ITS WORLDWIDE SUBSIDIARIES AND AFFILIATES (TE). IT MAY NOT BE DISCLOSED TO ANYONE, OTHER THAN TE PERSONNEL, WITHOUT AUTHORIZATION FROM TE (WWW.TE.COM).

PART MARKING GUIDE FOR RAYCHEM CIRCULAR BACKSHELLS

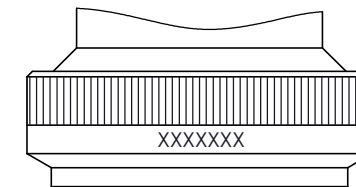
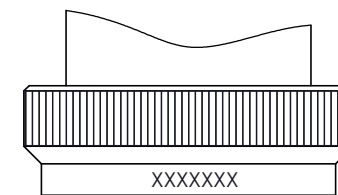
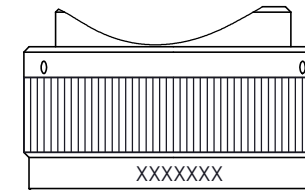
THIS DOCUMENT TAKES PRECEDENCE OVER PRODUCTION DRAWINGS (BOM) & CUSTOMER DRAWINGS

USED ON _____

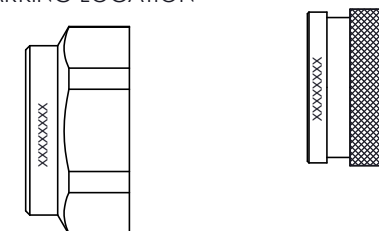
CRIB TABLE (USE THIS TABLE TO REFER TO WHICH SHEET FOR MARKING SEQUENCE)

SERIES	SHEET NO.	SERIES	SHEET NO.	SERIES	SHEET NO.	SERIES	SHEET NO.	SERIES	SHEET NO.
STXR15 / STX15	4	STXR61 / STX61	4	202M2	5	210M1	5	227M0	5
TXR15 / TX15	4	TXR61 / TX61	4	202M4	5	210M2	5	227M1	5
STXR18 / STX18	4	STXR64 / STX64	4	202M5	5	211M5	5	227M2	5
TXR18 / TX18	4	TXR64 / TX64	4	202M7	5	211M6	5	228M0	5
STXR21 / STX21	4	STXR66 / STX66	4	202M8	5	211M7	5	228M1	5
TXR21 / TX21	4	TXR66 / TX66	4	202M9	5	211M8	5	228M2	5
STXR30 / STX30	4	STXR71 / STX71	4	203M0	5	211M9	5	228M5	5
TXR30 / TX30	4	TXR71 / TX71	4	203M1	5	212M4	5	228M6	5
STXR31 / STX31	4	STXR75 / STX75	4	203M2	5	212M5	5	228M7	5
TXR31 / TX31	4	TXR75 / TX75	4	203M6	5	215M6	5	228M8	5
STXR32 / STX32	4	STXR76 / STX76	4	203M9	5	215M7	5	229M0	5
TXR32 / TX32	4	TXR76 / TX76	4	204M0	5	217M0	5	229M1	5
STXR37 / STX37	4	STXR78 / STX78	4	204M1	5	217M1	5	229M3	5
TXR37 / TX37	4	TXR78 / TX78	4	204M2	5	217M2	5	BND18 / BNX18	6
STXR40 / STX40	4	STXR79 / STX79	4	204M3	5	218M6	5	BND21 / BNX21	6
TXR40 / TX40	4	TXR79 / TX79	4	205M0	5	218M7	5	BND32 / BNX32	6
STXR41 / STX41	4	STXR80 / STX80	4	205M1	5	218M8	5	BND40 / BNX40	6
TXR41 / TX41	4	TXR80 / TX80	4	205M2	5	218M9	5	BND41 / BNX41	6
STXR47 / STX47	4	STXR81 / STX81	4	206M0	5	219M0	5	BND47 / BNX47	6
TXR47 / TX47	4	TXR81 / TX81	4	206M1	5	219M1	5	BND54 / BNX54	6
STXR51 / STX51	4	STXR82 / STX82	4	206M2	5	219M2	5	BND64 / BNX64	6
TXR51 / TX51	4	TXR82 / TX82	4	207M3	5	225M0	5	BND76 / BNX76	6
STXR52 / STX52	4	STXR88 / STX88	4	208M7	5	225M1	5	200Z	7
TXR52 / TX52	4	TXR88 / TX88	4	208M8	5	225M2	5	500Z	7
STXR54 / STX54	4	201M1	5	208M9	5	225M3	5	700Z	7
TXR54 / TX54	4	201M9	5	209M3	5	225M4	5		
STXR58 / STX58	4	202M0	5	209M4	5	225M5	5		
TXR58 / TX58	4	202M1	5	210M0	5	225M6	5		

EXAMPLES OF NUT PROFILES AND RESPECTIVE MARKING LOCATIONS



S700 NUT EXAMPLE MARKING LOCATION



EXAMPLES OF WHERE TO FIND THE SERIES CODE IN THE PART DESCRIPTION:

TXR40AB00-1205A1 **202M112-19B05** **BND40AB00-1205**

SERIES _____
(MINIMUM 4 CHARACTERS LONG, FOUND IN TABLE ABOVE)

DIMENSIONS: mm		TOLERANCES UNLESS OTHERWISE SPECIFIED:	
		0 PLC	±0,40
		1 PLC	±0,20
		2 PLC	±0,10
		ANGLES	±1°
		ALL FILLETS	0,4 MAX
ALL DIAMETERS 0,10			
SURFACE FINISH Ra1,6 MAX REMOVE ALL BURRS AND SHARP EDGES TO 0,1 MAX			

DWN	16/02/2015	MATERIAL	N/A	HEAT TREAT	N/A
K.KUTA-WINCZURA					
CHK	23/02/2015				
K.SHEPPARD					
APVD	16/02/2015	TE Connectivity			
M.PAUL					
NAME PART MARK GUIDE FOR CIRCULAR BACKSHELLS (RAYCHEM PARTS)					
SCALE	2:1	SIZE	A3	PART NO	DM0079
REV		SHEET	2 OF 7	REV	AA

REV	DESCRIPTION	DATE	DWN	APVD	SCALE	SIZE	PART NO	SHEET	REV
-	SEE SHEET 1	-	-	-	2:1	A3	DM0079	2	AA

THIS INFORMATION IS CONFIDENTIAL AND PROPRIETARY TO TYCO ELECTRONICS CORPORATION AND ITS WORLDWIDE SUBSIDIARIES AND AFFILIATES (TE). IT MAY NOT BE DISCLOSED TO ANYONE, OTHER THAN TE PERSONNEL, WITHOUT AUTHORIZATION FROM TE. (WWW.TE.COM)

DM0079

THIS DRAWING IS A CONTROLLED DOCUMENT DWG NO

PART MARKING GUIDE FOR RAYCHEM CIRCULAR BACKSHELLS

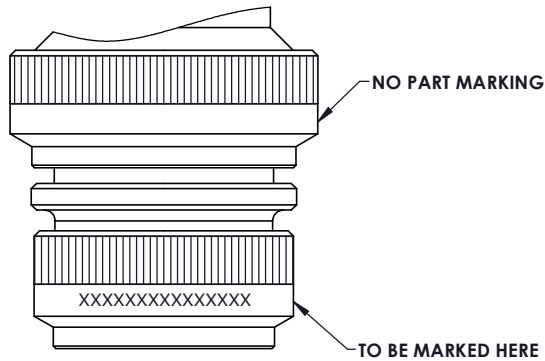
USED ON

SEE NOTES FOR EXEMPTIONS

THIS DOCUMENT TAKES PRECEDENCE OVER PRODUCTION DRAWINGS (BOM) & CUSTOMER DRAWINGS

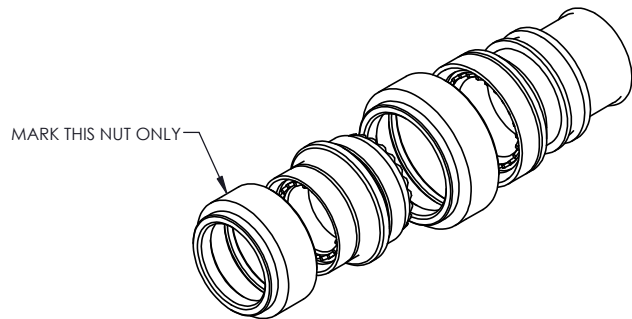
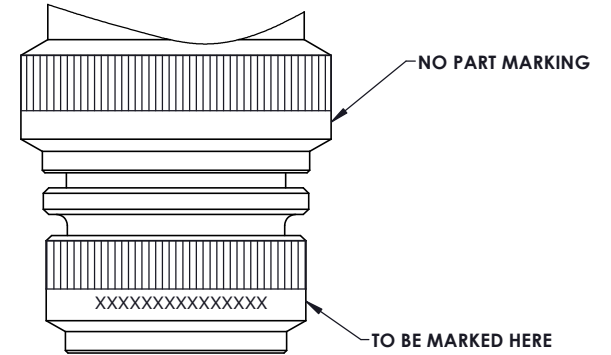
STYLE 2 / STYLES 3 BACKSHELL EXAMPLE
TWO PIECE BACKSHELL ASSEMBLY
 ONLY FRONT NUT MUST BE PART MARKED

STYLE 2 EXAMPLE

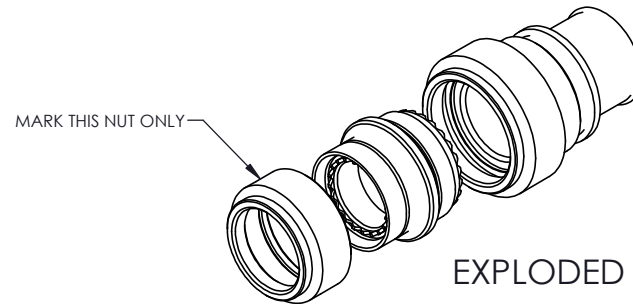


STYLE 3 EXAMPLE

USE SAME PARAMETERS AS STATED ON T2 EXAMPLE



EXPLODED VIEW



EXPLODED VIEW

DWN	16/02/2015	MATERIAL	N/A	HEAT TREAT	N/A
K.KUTA-WINCZURA					
CHK	23/02/2015				
K.SHEPPARD					
APVD	16/02/2015				
M.PAUL		NAME PART MARKING GUIDE FOR CIRCULAR BACKSHELLS (RAYCHEM PARTS)			
SCALE	2:1	SIZE	A3	PART NO	DM0079
REV	-	SHEET	3 OF 7	REV	AA

DIMENSIONS: mm		TOLERANCES UNLESS OTHERWISE SPECIFIED:	
		0 PLC	±0,40
		1 PLC	±0,20
		2 PLC	±0,10
		ANGLES	±1°
		ALL FILLETS	0,4 MAX
ALL DIAMETERS		SURFACE FINISH Ra1.6 MAX	
REMOVE ALL BURRS AND SHARP EDGES TO 0,1 MAX			

REV	-	DESCRIPTION	SEE SHEET 1	DATE	-	DWN	-	APVD	-
-----	---	-------------	-------------	------	---	-----	---	------	---

DM0079

THIS DRAWING IS A CONTROLLED DOCUMENT DWG NO

THIS INFORMATION IS CONFIDENTIAL AND PROPRIETARY TO TYCO ELECTRONICS CORPORATION AND ITS WORLDWIDE SUBSIDIARIES AND AFFILIATES (TE). IT MAY NOT BE DISCLOSED TO ANYONE, OTHER THAN TE PERSONNEL, WITHOUT AUTHORIZATION FROM TE. (WWW.TE.COM)

PART MARKING GUIDE FOR RAYCHEM CIRCULAR BACKSHELLS

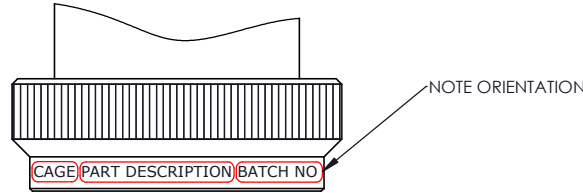
USED ON

PART MARKING DETAILS TABLE - TXR SERIES REQUIRING CAGE CODE, PART DESCRIPTION AND BATCH NUMBER

DM0079

THIS DRAWING IS A CONTROLLED DOCUMENT DWG NO

STXR / STX / TXR / TX / TXS SERIES		
STXR15 / STX15		STXR52 / STX52
TXR15 / TX15		TXR52 / TX52
STXR18 / STX18		STXR54 / STX54
TXR18 / TX18		TXR54 / TX54
STXR21 / STX21		STXR58 / STX58
TXR21 / TX21		TXR58 / TX58
STXR30 / STX30		STXR61 / STX61
TXR30 / TX30		TXR61 / TX61
STXR31 / STX31		STXR64 / STX64
TXR31 / TX31		TXR64 / TX64
STXR32 / STX32		STXR66 / STX66
TXR32 / TX32		TXR66 / TX66
STXR37 / STX37		STXR71 / STX71
TXR37 / TX37		TXR71 / TX71
STXR40 / STX40		STXR75 / STX75
TXR40 / TX40		TXR75 / TX75
STXR41 / STX41		STXR76 / STX76
TXR41 / TX41		TXR76 / TX76
STXR47 / STX47		STXR78 / STX78
TXR47 / TX47		TXR78 / TX78
STXR51 / STX51		STXR79 / STX79
TXR51 / TX51		TXR79 / TX79



MARKING SEQUENCE

CAGE CODE PART DESCRIPTION T*****

***** TO BE REPLACED WITH BATCH NUMBER

NOTES: -

- STANDARD TINEL PARTS SHALL ALWAYS BE PART MARKED WITH THE PREFIX TXR WHETHER A TINEL RING IS ORDERED OR NOT.
- NO REFERENCE TO OPTIONAL BRAID CONFIGURATIONS OR TINEL RING SIZE SHALL BE MADE:
e.g.: -12 FOR 12" BRAID LENGTH OR -AI FOR AN INSULATED 'A' SIZE RING SHALL **NOT** BE MARKED.
- OPTIONS DENOTING PHYSICAL DIFFERENCES TO THE ADAPTOR SHALL BE MARKED.
e.g.: 'D' MODIFICATION, 'J' MODIFICATION OR 'O' RING VARIANTS.

EXAMPLE SEQUENCES

DETAIL	PART DESCRIPTION	MARKING SEQUENCE EXAMPLE
BASIC WITH RING	TXR40AB00-1206AI	= 06090-TXR40AB00-1206 T*****
BASIC WITHOUT RING	TX40AB00-1206	= 06090-TXR40AB00-1206 T*****
STEP UP BASIC WITH RING	STXR40AB00-1206AI	= 06090-STXR40AB00-1206 T*****
BASIC WITH RING AND 6" BRAID	TXR40AB00-1206AI2	= 06090-TXR40AB00-1206 T*****
BASIC WITH RING AND 12" BRAID	TXR40AB00-1206AI2-12	= 06090-TXR40AB00-1206 T*****
WITH 1 MODIFICATION CODE	TXR40AB00-1206AI-D	= 06090-TXR40AB00-1206D T*****
WITH 2 MODIFICATION CODE	TXR40AB00-1206AI-DF	= 06090-TXR40AB00-1206DF T*****
WITH 3 MODIFICATION CODE	TXR40AB00-1206AI-DFH	= 06090-TXR40AB00-1206DFH T*****
WITH 4 MODIFICATION CODE	TXR40AB00-1206AI-DFHL	= 06090-TXR40AB00-1206DFHL T*****

EXAMPLES OF WHERE TO FIND THE SERIES CODE IN THE PART DESCRIPTION:

TXR40AB00-1205AI **202M112-19B05** **BND40AB00-1205**

SERIES (MINIMUM 4 CHARACTERS LONG, FOUND IN TABLE ABOVE)

DIMENSIONS: mm	TOLERANCES UNLESS OTHERWISE SPECIFIED:
	0 PLC ±0,40
	1 PLC ±0,20
	2 PLC ±0,10
	ANGLES ±1°
	ALL FILLETS 0,4 MAX
ALL DIAMETERS	SURFACE FINISH Ra1,6 MAX
	REMOVE ALL BURRS AND SHARP EDGES TO 0,1 MAX

DWN	16/02/2015	MATERIAL	N/A	HEAT TREAT	N/A
CHK	K.KUTA-WINCZURA				
CHK	23/02/2015				
APVD	K.SHEPPARD				
APVD	M.PAUL	PART MARK GUIDE FOR CIRCULAR BACKSHELLS (RAYCHEM PARTS)			
NAME	PART MARK GUIDE FOR CIRCULAR BACKSHELLS (RAYCHEM PARTS)				
SCALE	2:1	SIZE	A3	PART NO	DM0079
SHEET	4	OF	7	REV	AA

PART MARKING GUIDE FOR RAYCHEM CIRCULAR BACKSHELLS

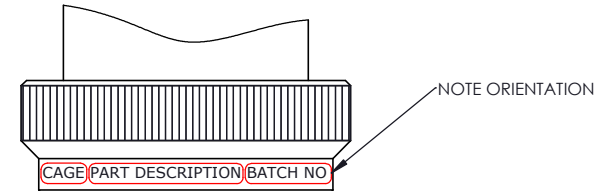
USED ON

PART MARKING DETAILS TABLE - 200M SERIES REQUIRING CAGE CODE, PART DESCRIPTION AND BATCH NUMBER

DM0079

THIS DRAWING IS A CONTROLLED DOCUMENT DWG NO

200M SERIES						
201M1		206M0		217M1		228M5
201M9		206M1		217M2		228M6
202M0		206M2		218M6		228M7
202M1		207M3		218M7		228M8
202M2		208M7		218M8		229M0
202M4		208M8		218M9		229M1
202M5		208M9		219M0		229M3
202M7		209M3		219M1		
202M8		209M4		219M2		
202M9		210M0		225M0		
203M0		210M1		225M1		
203M1		210M2		225M2		
203M2		211M5		225M3		
203M6		211M6		225M4		
203M9		211M7		225M5		
204M0		211M8		225M6		
204M1		211M9		227M0		
204M2		212M4		227M1		
204M3		212M5		227M2		
205M0		215M6		228M0		
205M1		215M7		228M1		
205M2		217M0		228M2		



MARKING SEQUENCE

CAGE CODE PART DESCRIPTION T*****

***** TO BE REPLACED WITH BATCH NUMBER

EXAMPLE SEQUENCES

DETAIL

BASIC

WITH 1 MODIFICATION CODE

WITH 2 MODIFICATION CODE

PART DESCRIPTION

201M108-19B

201M108-19B-20

201M108-19B-DL

MARKING SEQUENCE EXAMPLE

= 06090-201M108-19B T*****

= 06090-201M108-19B-20 T*****

= 06090-201M108-19B-DL T*****

EXAMPLES OF WHERE TO FIND THE SERIES CODE IN THE PART DESCRIPTION:

TXR40AB00-1205AI

202M112-19B05

BND40AB00-1205

SERIES
(MINIMUM 4 CHARACTERS LONG, FOUND IN TABLE ABOVE)

DIMENSIONS: mm		TOLERANCES UNLESS OTHERWISE SPECIFIED:	
	0 PLC ±0,40	1 PLC ±0,20	2 PLC ±0,10
	ANGLES ±°		
	ALL FILLETS 0,4 MAX		
ALL DIAMETERS		SURFACE FINISH Ra1.6 MAX	
REMOVE ALL BURRS AND SHARP EDGES TO 0,1 MAX			

DWN	16/02/2015	MATERIAL	N/A	HEAT TREAT	N/A
CHK	K.KUTA-WINCZURA				
CHK	23/02/2015				
APVD	K.SHEPPARD				
APVD	16/02/2015				
NAME	M.PAUL				
PART MARK GUIDE FOR CIRCULAR BACKSHELLS (RAYCHEM PARTS)					
SCALE	2:1	SIZE	A3	PART NO	DM0079
SHEET	5	OF	7	REV	AA

THIS INFORMATION IS CONFIDENTIAL AND PROPRIETARY TO TYCO ELECTRONICS CORPORATION AND ITS WORLDWIDE SUBSIDIARIES AND AFFILIATES (TE). IT MAY NOT BE DISCLOSED TO ANYONE, OTHER THAN TE PERSONNEL, WITHOUT AUTHORIZATION FROM TE. (WWW.TE.COM)

