

TXR41AB00-1404AI ✓ ACTIVE

RAYCHEM | RAYCHEM TXR

TE Internal #: 657401-000

Ruggedized, Backshell, .01 – .25 in [.2 – 6.4 mm] Cable Entry,
Aluminum, Straight, Shell Size 15 / 14, RAYCHEM TXR

[View on TE.com >](#)



Connectors > Connector Accessories > Connector Backshells



Connector Backshell Product Style: **Ruggedized**

Connector Backshell Product Type: **Backshell**

Cable Entry Diameter: **.2 – 6.4 mm [.01 – .25 in]**

Primary Product Material: **Aluminum**

Body Orientation: **Straight**

Features

Product Type Features

| | |
|-----------------------------------|---|
| Termination Device Included | TR04AI |
| Connector Backshell Product Style | Ruggedized |
| Connector Backshell Product Type | Backshell |
| Termination Device Type | Side-Entry Tinel-Lock Ring, Tinel-Lock Adapter, Tinel-Lock Ring |

Body Features

| | |
|----------------------------------|--|
| Primary Product Color | Olive Drab |
| Primary Product Material | Aluminum |
| Primary Product Plating Material | Cadmium (AMS-QQ-P-416, Type II, Class 3) |

Housing Features

| | |
|---------------------------------|----------|
| Body Orientation | Straight |
| Compatible With Connector Shape | Circular |

Dimensions

| | |
|---------------------------------|-----------------------------|
| Compatible Cable Diameter Range | 3.2 – 5.1 mm [.125 – .2 in] |
| Product Length | 26.8 mm [1.05 in] |
| Cable Entry Diameter | .2 – 6.4 mm [.01 – .25 in] |

Usage Conditions

| | |
|-----------------------|--------|
| Salt Spray Resistance | 500 Hr |
|-----------------------|--------|



Operating Temperature Range -65 – 175 °C[-85 – 347 °F]

Operation/Application

Compatible With Connector Shell Size 14, 15

Industry Standards

Connector Detail Specification Number MS24266, MS27467, MS27468, MS27472, MS27473, MS27474, MS27479, MS27480, MS27481, MS27484, MS27497, MS27652, MS27653, MS27656, MS27661, MS27665

Other

Connector Interface Specification MIL-DTL-38999 Series I, MIL-DTL-38999 Series I/Class E,P,T, MIL-DTL-38999 Series I /Class E,T, MIL-DTL-38999 Series II/Class E, P,T, MIL-DTL-38999 Series II/Class E,T, MIL-DTL-38999 Series II/Class T

TE Connector Interface Code 41

Product Compliance

[For compliance documentation, visit the product page on TE.com>](#)

EU RoHS Directive 2011/65/EU Not Compliant

EU ELV Directive 2000/53/EC Not Compliant

China RoHS 2 Directive MIIT Order No 32, 2016 Restricted Materials Above Threshold

EU REACH Regulation (EC) No. 1907/2006
 Current ECHA Candidate List: JUNE 2024 (241)
 Candidate List Declared Against: JAN 2024 (240)
 SVHC > Threshold:
 Cd (.2% in Plating)
Article Safe Usage Statements:
 Use personal protective equipment as required. Do not eat, drink or smoke when using this product. Recycle if possible and dispose of the article by following all applicable governmental regulations relevant to your geographic location.

Halogen Content Low Halogen - Br, Cl, F, I < 900 ppm per homogenous material. Also BFR/CFR/PVC Free

Solder Process Capability Not applicable for solder process capability

Product Compliance Disclaimer

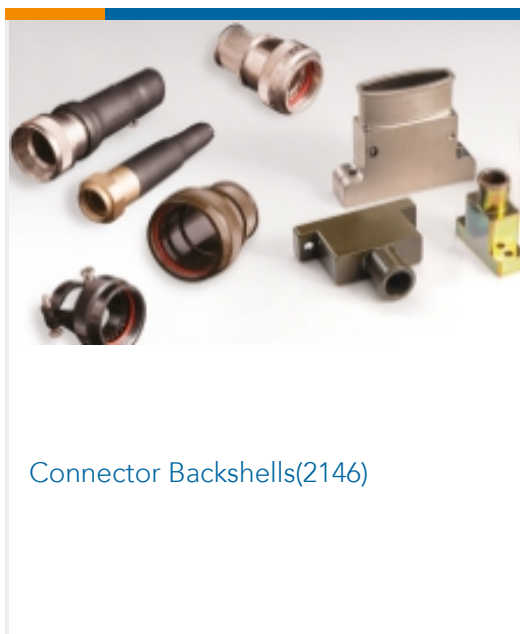
This information is provided based on reasonable inquiry of our suppliers and represents our current actual knowledge based on the information they provided. This information is subject to change. The part numbers that TE has identified as EU RoHS compliant have a maximum concentration of 0.1% by weight in homogenous materials for lead, hexavalent chromium, mercury, PBB, PBDE, DBP, BBP, DEHP, DIBP, and 0.01% for cadmium, or qualify for an exemption to these limits as defined in the Annexes of Directive 2011/65/EU (RoHS2). Finished electrical and electronic equipment products will be CE marked as required by Directive 2011/65/EU. Components may not be CE marked. Additionally, the part numbers that TE has identified as EU ELV compliant have a maximum concentration of 0.1% by weight in homogenous materials for lead, hexavalent chromium, and mercury, and 0.01% for cadmium, or qualify for an exemption to these limits

as defined in the Annexes of Directive 2000/53/EC (ELV). Regarding the REACH Regulation, the information TE provides on SVHC in articles for this part number is based on the latest European Chemicals Agency (ECHA) 'Guidance on requirements for substances in articles' posted at this URL: <https://echa.europa.eu/guidance-documents/guidance-on-reach>

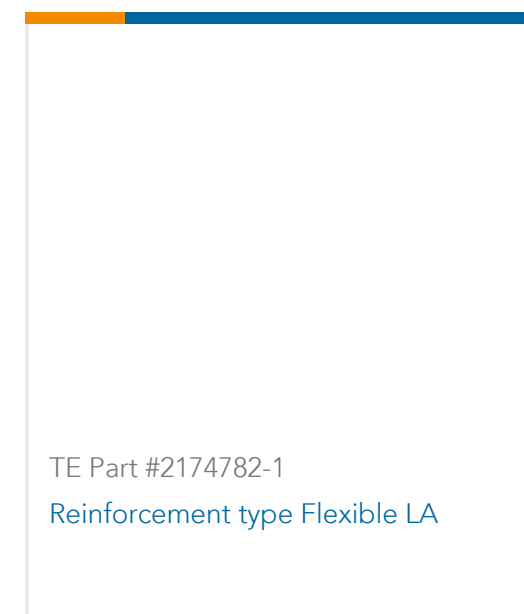
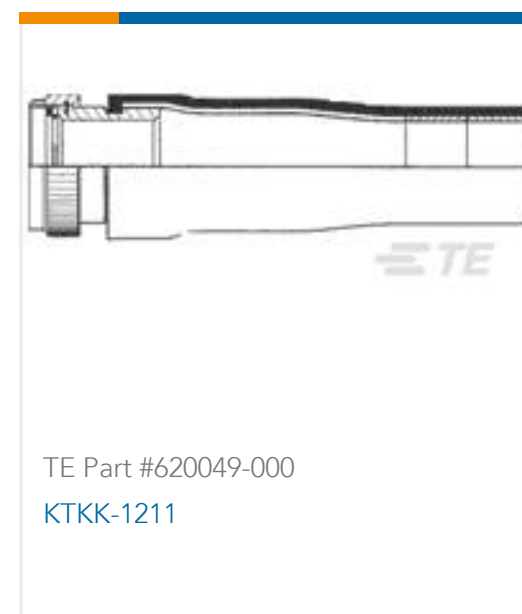
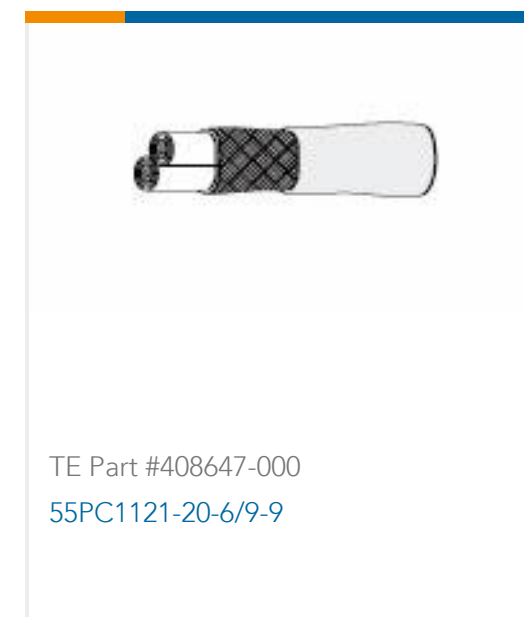
Compatible Parts



Also in the Series | RAYCHEM TXR



Customers Also Bought



Documents



Product Drawings

TXR41AB00-1404AI

English

CAD Files

3D PDF

3D

Customer View Model

[ENG_CVM_CVM_657401-000_O.2d_dxf.zip](#)

English

Customer View Model

[ENG_CVM_CVM_657401-000_O.3d_igs.zip](#)

English

Customer View Model

[ENG_CVM_CVM_657401-000_O.3d_stp.zip](#)

English

By downloading the CAD file I accept and agree to the [Terms and Conditions](#) of use.

Datasheets & Catalog Pages

5-1654025-5_sec6_Adapters

English

Product Specifications

General Information Package for Tinel-Lock Adapters

English

[Braid termination using a Tinel Lock Ring installed using a resistance heater.](#)

French

[Braid termination using a Tinel Lock Ring installed using a resistance heater.](#)

English

[PERFORMANCE SPECIFICATION Tinel-Lock Rings, Heat Recoverable for Braid Termination](#)

English

General Harness Repair Manual

English

[ASSEMBLY GUIDE for Tinel -Lock Rings, Heat Recoverable for Braid Temination](#)

English