



RAYCHEM | RAYCHEM TXR

TE Internal #: 761191-000

Ruggedized, Backshell, .01 – .63 in [.2 – 15.9 mm] Cable Entry,

Aluminum, Straight, Shell Size 17 / E, Entry Size Code 10,

RAYCHEM TXR

[View on TE.com >](#)

Connectors > Connector Accessories > Connector Backshells



Connector Backshell Product Style: **Ruggedized**

Connector Backshell Product Type: **Backshell**

Cable Entry Diameter: **.2 – 15.9 mm [.01 – .63 in]**

Primary Product Material: **Aluminum**

Body Orientation: **Straight**

Features

Product Type Features

Termination Device Included	TR10AI
Connector Backshell Product Style	Ruggedized
Connector Backshell Product Type	Backshell
Termination Device Type	Side-Entry Tinel-Lock Ring, Tinel-Lock Adapter, Tinel-Lock Ring

Body Features

Primary Product Color	Bright
Primary Product Material	Aluminum
Primary Product Plating Material	Electroless Nickel (AMS-C-26074)

Housing Features

Body Orientation	Straight
Compatible With Connector Shape	Circular

Dimensions

Compatible Cable Diameter Range	7.9 – 12.7 mm [.313 – .5 in]
Product Length	26.5 mm [1.04 in]
Cable Entry Diameter	.2 – 15.9 mm [.01 – .63 in]

Usage Conditions

--	--



Salt Spray Resistance	48 Hr
-----------------------	-------

Operating Temperature Range	-65 – 200 °C[-85 – 392 °F]
-----------------------------	----------------------------

Operation/Application

Compatible With Connector Shell Size	E, 17
--------------------------------------	-------

Industry Standards

Connector Detail Specification Number	D38999/20, D38999/24, D38999/26, D38999/40, D38999/42, D38999/46, D38999/47
---------------------------------------	---

Other

Connector Interface Specification	MIL-DTL-38999 Series III/Class C,F,K,W, MIL-DTL-38999 Series IV/Class C,F,W, MIL-DTL-38999 Series IV/Class C,W, MIL-DTL-38999 Series IV/Class F,W
-----------------------------------	---

TE Connector Interface Code	40
-----------------------------	----

Entry Size Code	10
-----------------	----

Product Compliance

[For compliance documentation, visit the product page on TE.com>](#)

EU RoHS Directive 2011/65/EU	Compliant with Exemptions
------------------------------	---------------------------

EU ELV Directive 2000/53/EC	Compliant
-----------------------------	-----------

China RoHS 2 Directive MIIT Order No 32, 2016	Restricted Materials Above Threshold
---	--------------------------------------

EU REACH Regulation (EC) No. 1907/2006	<p>Current ECHA Candidate List: JUNE 2024 (241) Candidate List Declared Against: JAN 2024 (240) SVHC > Threshold: Pb (.3% in Machined aluminum body)</p> <p>Article Safe Usage Statements: Do not eat, drink or smoke when using this product. Wash thoroughly after handling. Recycle if possible and dispose of the article by following all applicable governmental regulations relevant to your geographic location.</p>
--	--

Halogen Content	Low Halogen - Br, Cl, F, I < 900 ppm per homogenous material. Also BFR/CFR/PVC Free
-----------------	---

Solder Process Capability	Not applicable for solder process capability
---------------------------	--

Product Compliance Disclaimer

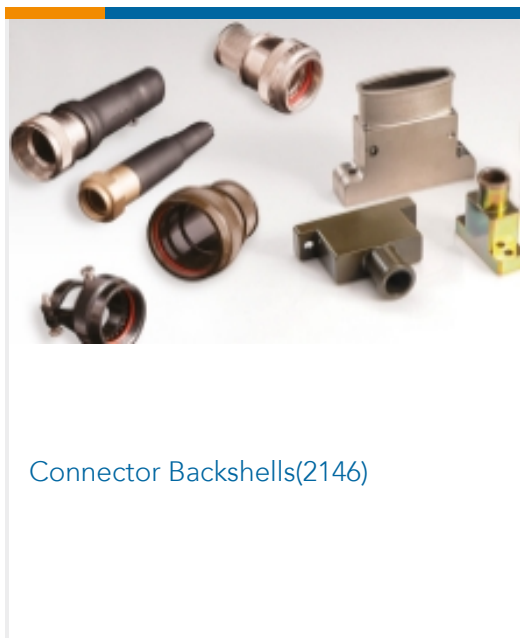
This information is provided based on reasonable inquiry of our suppliers and represents our current actual knowledge based on the information they provided. This information is subject to change. The part numbers that TE has identified as EU RoHS compliant have a maximum concentration of 0.1% by weight in homogenous materials for lead, hexavalent chromium, mercury, PBB, PBDE, DBP, BBP, DEHP, DIBP, and 0.01% for cadmium, or qualify for an exemption to these limits as defined in the Annexes of Directive 2011/65/EU (RoHS2). Finished electrical and electronic equipment products will be CE marked as required by Directive 2011/65/EU. Components may not be CE marked. Additionally, the part numbers that TE has identified as EU ELV compliant have a maximum concentration of 0.1% by weight in homogenous

materials for lead, hexavalent chromium, and mercury, and 0.01% for cadmium, or qualify for an exemption to these limits as defined in the Annexes of Directive 2000/53/EC (ELV). Regarding the REACH Regulation, the information TE provides on SVHC in articles for this part number is based on the latest European Chemicals Agency (ECHA) 'Guidance on requirements for substances in articles' posted at this URL: <https://echa.europa.eu/guidance-documents/guidance-on-reach>

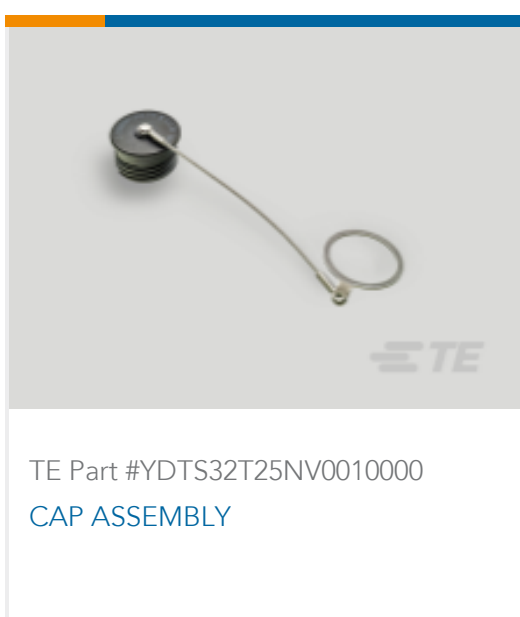
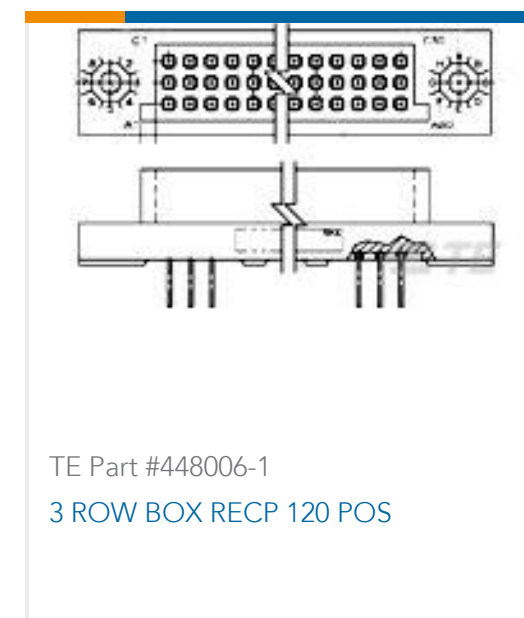
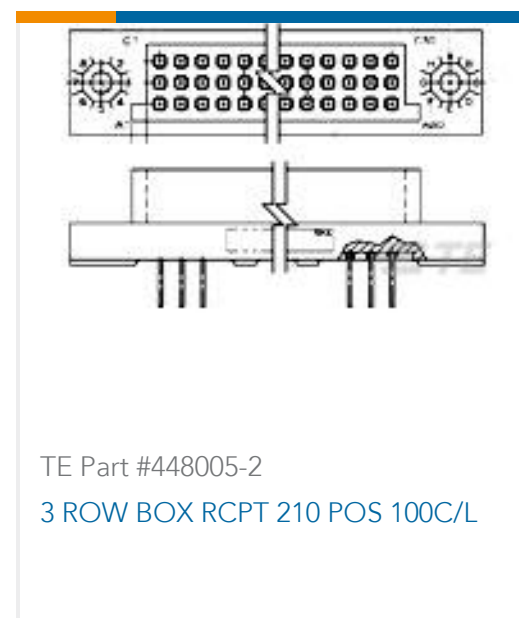
Compatible Parts



Also in the Series | RAYCHEM TXR



Customers Also Bought



Documents



CAD Files

3D PDF

3D

Customer View Model

[ENG_CVM_CVM_761191-000_O.2d_dxf.zip](#)

English

Customer View Model

[ENG_CVM_CVM_761191-000_O.3d_igs.zip](#)

English

Customer View Model

[ENG_CVM_CVM_761191-000_O.3d_stp.zip](#)

English

By downloading the CAD file I accept and agree to the [Terms and Conditions](#) of use.

Datasheets & Catalog Pages

[5-1654025-5_sec6_Adapters](#)

English

Product Specifications

[General Information Package for Tinel-Lock Adapters](#)

English

[Braid termination using a Tinel Lock Ring installed using a resistance heater.](#)

French

[Braid termination using a Tinel Lock Ring installed using a resistance heater.](#)

English

[PERFORMANCE SPECIFICATION Tinel-Lock Rings, Heat Recoverable for Braid Termination](#)

English

[General Harness Repair Manual](#)

English

[ASSEMBLY GUIDE for Tinel -Lock Rings, Heat Recoverable for Braid Temination](#)

English