

# TTG-Series

## Rocker Switches

The TTG-Series Mini Tippette snap-in rocker switches consist of two single pole illuminated or non-illuminated switches in a common base. Each pole can have the same or different switch function. These switches are AC rated up to 20 amps and are also suitable for low-voltage DC applications, in a wide range of markets including Appliance, HVAC, Food service and Transportation.



**Carling Technologies®**

Innovative Designs. Powerful Solutions.

Innovative Designs. Powerful Solutions.

Carling Technologies, Inc.  
60 Johnson Avenue • Plainville, CT 06062-1177  
Phone: (860) 793-9281 • Fax: (860) 793-9231  
Email: [sales@carlingtech.com](mailto:sales@carlingtech.com) • [www.carlingtech.com](http://www.carlingtech.com)

### Dielectric Strength

UL/CSA:  
1000V - live to dead metal parts

### Electrical Life

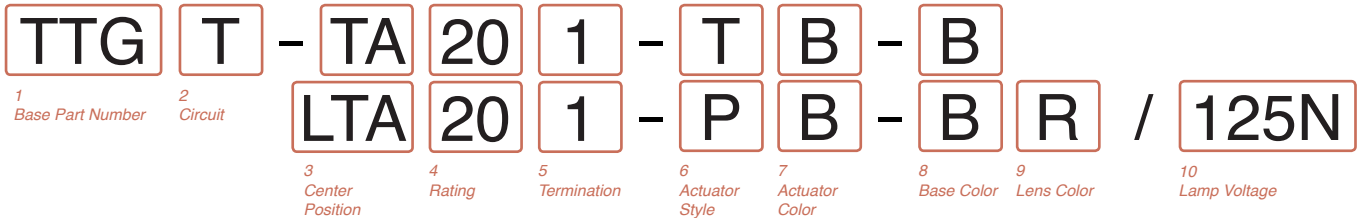
50,000 cycles - maintained  
25,000 cycles - momentary

### Mechanical Life

100,000 cycles

### Operating Temperature

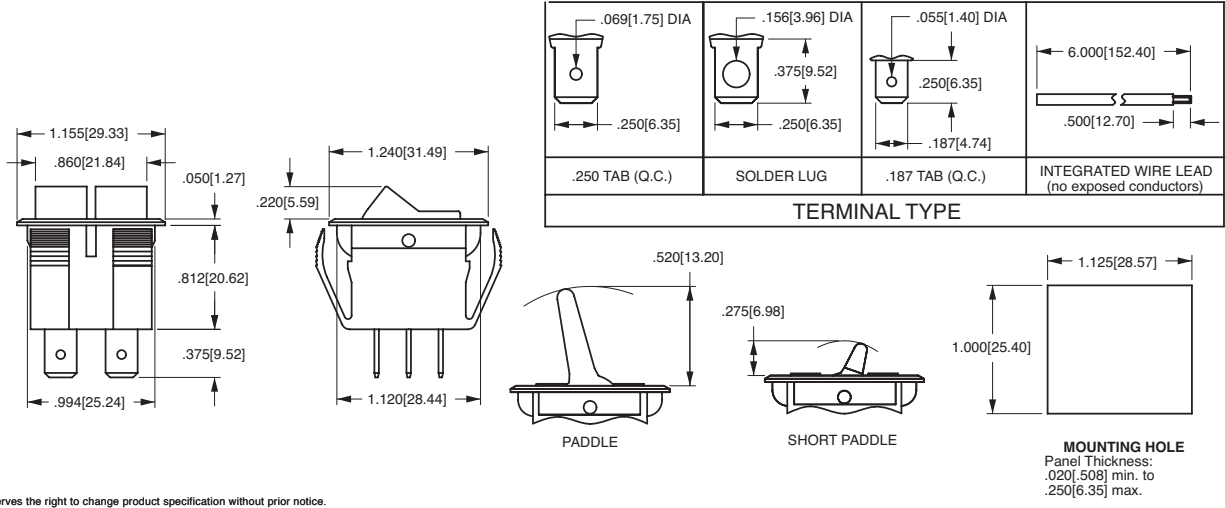
32°F to 185°F (0°C to 85°C)



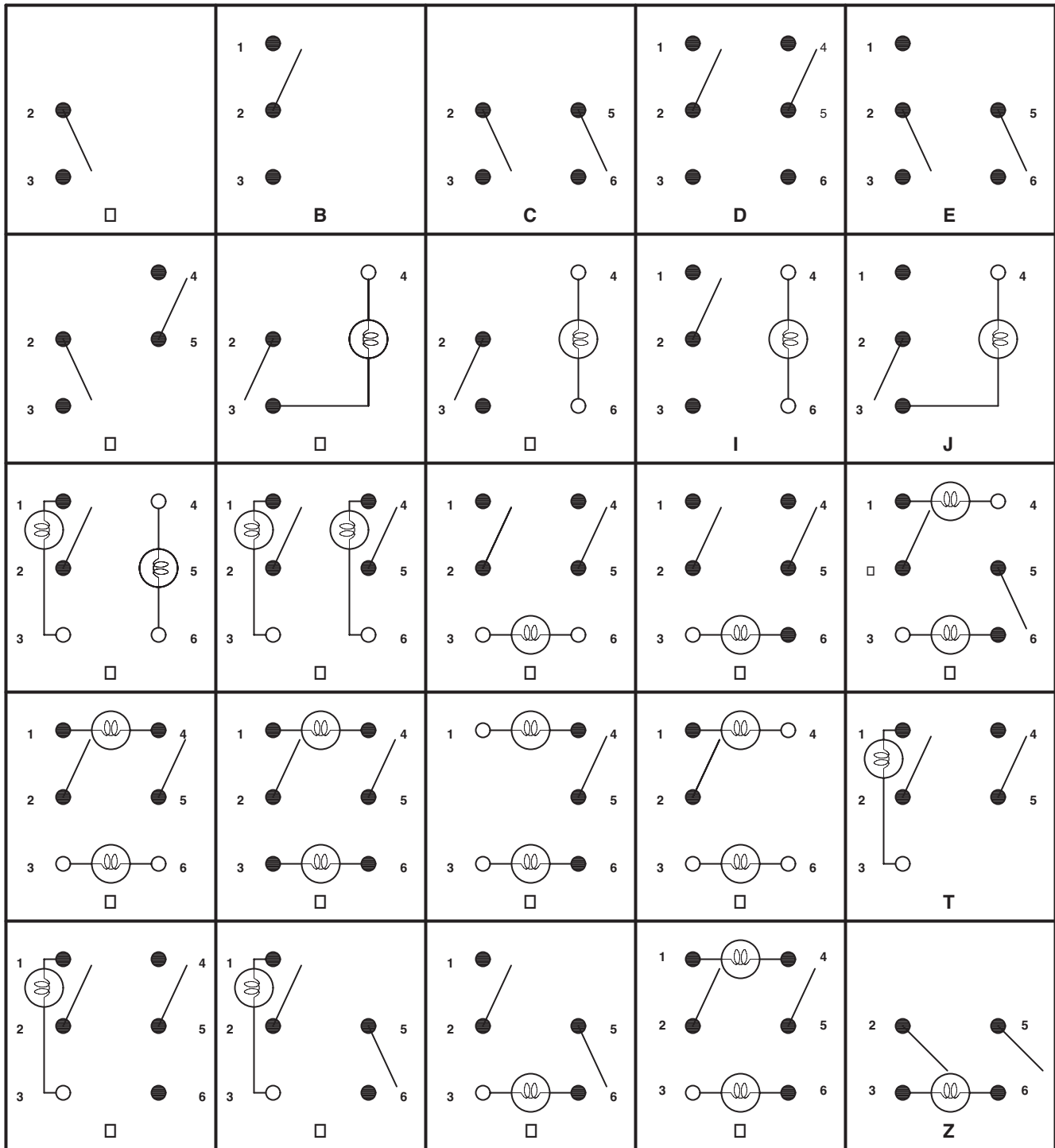
<b>1 BASE PART NUMBER: SERIES</b>			
<b>TTG</b>	Two Single Pole switches in one base		
<b>2 CIRCUIT<sup>1</sup></b>			
See Circuit Designation Chart.			
<b>3 BASIC SWITCH NUMBER</b>			
<b>TA</b>	On-None-Off	<b>TC</b>	On-Off-On
<b>TB</b>	On-None-On	<b>LTA</b>	On-None-Off, Lighted
<b>4 RATING</b>			
<b>10</b>	5A 250VAC, 10A 125VAC, 1/2HP 125-250VAC		
<b>11</b>	5A 250VAC, 10A 125VAC, 5A 125VAC L		
<b>20</b>	10A 250VAC, 15A 125VAC, 3/4HP 125-250VAC		
<b>21</b>	10A 250VAC, 15A 125VAC		
<b>22</b>	10A 250VAC, 15A 125VAC, 20A 125-250VAC H, 3/4HP 125-250VAC		
<b>5 TERMINATION/FUNCTION</b>			
	Solder Lug	.250 Tab QC	.187 Tab QC
On-None-Off	0	1	3
(On)-None-Off	A	B	D
On-None-(Off)	L	M	R
On-None-On	0	1	3
On-None-(On)	A	B	D
On-Off-On	0	1	3
	Wire Leads		
	5		5

<b>6 ACTUATOR STYLE</b>		<b>PS</b>	Short Paddle
<b>P</b>	Paddle	<b>T</b>	Rockers
<b>7 ACTUATOR COLOR</b>		<b>lighted<sup>3</sup></b>	
<b>unlighted<sup>2</sup></b>		<b>A</b>	Amber
<b>B</b>	Black	<b>C</b>	Clear
<b>W</b>	White	<b>G</b>	Green
		<b>LU</b>	Blue
		<b>R</b>	Red
<b>8 BASE COLOR<sup>2</sup></b>		<b>W</b>	White
<b>B</b>	Black		
<b>9 LENS COLOR<sup>4</sup></b>		<b>A</b>	Amber
<b>C</b>	Clear	<b>G</b>	Green
		<b>LU</b>	Blue
		<b>R</b>	Red
		<b>W</b>	White
<b>10 LAMP VOLTAGE</b>		<b>neon</b>	
<b>incandescent</b>		<b>125N</b>	125 volt neon
<b>6V</b>	6 volt	<b>250N</b>	250 volt neon
<b>12V</b>	12 volt		
<b>18V</b>	18 volt		
<b>24V</b>	24 volt		
<b>28V</b>	28 volt		

Notes:  
Imprinting is available. Consult factory.  
Panel Cut-Out Recommendations: For sheet metal panels, switch must enter panel in same direction as the punch. (Burr on bottom.) Test cut hole in actual material.  
1 TG available with circuits A, B, C, D, E, F, L, T, U, G, H, I, J, M, N, P, Q, R, T, U, V, Y, Z.  
2 Custom colors are available. Consult factory.  
3 Specify lens color for LTA with rocker only.  
4 Specify lens color for LTA with paddle actuators only.  
( ) Indicates momentary function.



\*Manufacturer reserves the right to change product specification without prior notice.



● CONTACT TERMINAL  
Will make contact with switching lever

● CONTACT TERMINAL AND SWITCH LEVER

○ ISOLATED TERMINAL  
Does not make contact with switching lever

⊗ BULB

REV\_SW\_TTG\_0912