

TSXDSY16R5

discrete output module Modicon Premium - 16
O relay



Main

Range of product	Modicon Premium Automation platform
Product or component type	Discrete output module
Discrete output number	16
Discrete output type	Relay not protected
Discrete output voltage	24...240 V AC conforming to EN/IEC 61131-2 20...264 V 12...24 V DC conforming to EN/IEC 61131-2 10...34 V

Complementary

[I _{th}] conventional free air thermal current	3 A
Response time	< 8 ms activation < 10 ms deactivation
Contacts type and composition	1 NO
Output overvoltage protection	AC inductive, by RC circuit MOV (ZNO) on each preactuator DC inductive, by discharge diode on each preactuator
Output overload protection	1 external fuse per channel or group of channel fast blow
Short-circuit protection	1 external fuse per channel or group of channel fast blow
Isolation resistance	> 10 MOhm 500 V
Power dissipation	(0.25 W + 0.2 W x No of outputs at state 1)
Electrical durability	700000 cycles AC-12 50 VA 24 V resistive 5000000 cycles AC-15 10 VA 48 V inductive 5000000 cycles AC-15 10 VA 220 V inductive 5000000 cycles AC-15 10 VA 110 V inductive 5000000 cycles AC-14 10 VA 48 V inductive 5000000 cycles AC-14 10 VA 220 V inductive 5000000 cycles AC-14 10 VA 110 V inductive 500000 cycles AC-15 24 VA 24 V inductive 500000 cycles AC-14 24 VA 24 V inductive 500000 cycles AC-12 220 VA 110 V resistive 500000 cycles AC-12 110 VA 48 V resistive 3000000 cycles AC-15 50 VA 220 V inductive 3000000 cycles AC-14 50 VA 220 V inductive 2000000 cycles AC-15 24 VA 48 V inductive 2000000 cycles AC-14 24 VA 48 V inductive 1500000 cycles AC-15 50 VA 110 V inductive 1500000 cycles AC-14 50 VA 110 V inductive 150000 cycles AC-15 110 VA 110 V inductive 150000 cycles AC-14 110 VA 110 V inductive 1000000 cycles AC-15 110 VA 220 V inductive 1000000 cycles AC-14 110 VA 220 V inductive 1000000 cycles AC-12 50 VA 48 V resistive 1000000 cycles AC-12 220 VA 220 V resistive 1000000 cycles AC-12 110 VA 110 V resistive 100000 cycles AC-15 220 VA 220 V inductive 100000 cycles AC-14 220 VA 220 V inductive 300000 cycles DC-12 40 W 24 V resistive 2000000 cycles DC-3 10 W 24 V inductive 1000000 cycles DC-3 24 W 24 V inductive 1000000 cycles DC-12 24 W 24 V resistive
Marking	CE
Electrical connection	Screw terminal block
Current consumption	80 mA 5 V DC 135 mA 24 V DC rack

The information provided in this documentation contains general descriptions and/or technical characteristics of the performance of the products contained herein. This documentation is not intended as a substitute for and is not to be used for determining suitability or reliability of these products for specific user applications. It is the duty of any such user or integrator to perform the appropriate and complete risk analysis, evaluation and testing of the products with respect to the relevant specific application or use thereof. Neither Schneider Electric Industries SAS nor any of its affiliates or subsidiaries shall be responsible or liable for misuse of the information contained herein.

Module format	Standard
Product weight	0.38 kg

Environment

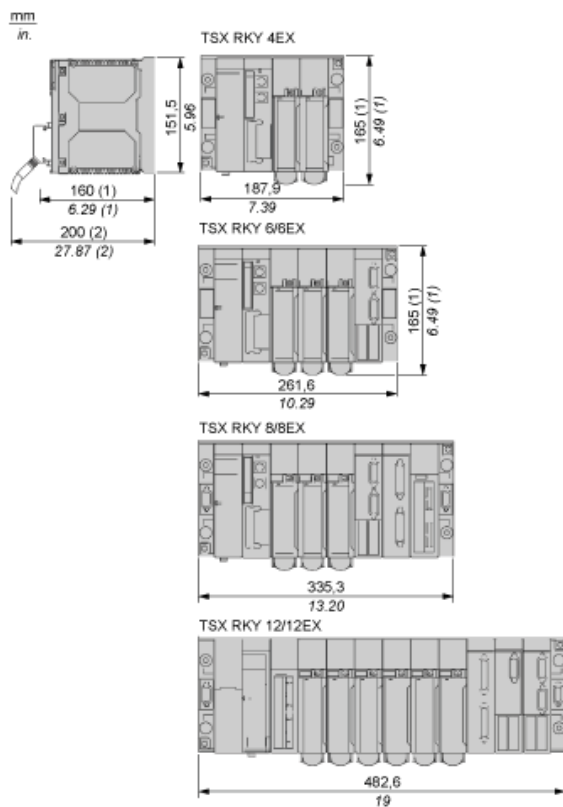
Dielectric strength	2000 V 50/60 Hz 60 s
Standards	73/23/EEC 89/336/EEC 92/31/EEC 93/68/EEC CSA 22-2 No 142 CSA 22-2 No 213 Class I Division 2 Group A CSA 22-2 No 213 Class I Division 2 Group B CSA 22-2 No 213 Class I Division 2 Group C CSA 22-2 No 213 Class I Division 2 Group D IEC 61131-2 UL 508
Product certifications	ABS BV DNV GL LR RINA RMRS
Ambient air temperature for operation	0...60 °C
Ambient air temperature for storage	-25...70 °C
Relative humidity	5...95 % without condensation for storage 10...95 % without condensation for operation
Operating altitude	0...2000 m
Protective treatment	TC
IP degree of protection	IP20
Pollution degree	2

Offer Sustainability

Sustainable offer status	Not Green Premium product
RoHS	Compliant - since 0847 - Schneider Electric declaration of conformity download declaration of conformity

Standard and Extendable Racks for Modules Mounting

Dimensions of Modules and Racks

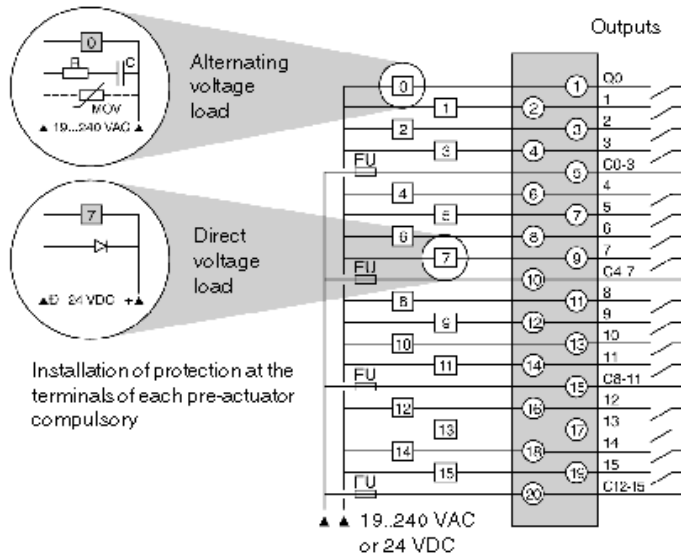


(1) With screw terminal block modules.

(2) Maximum depth for all types of modules and their associated connectors.

Discrete Relay Output 16-Channel Module for 3 A Thermal Current

Wiring Diagram



Precaution

NOTE: In the event of pre-actuator supply voltage being obtained from a tri-phase network which is equal to or greater than 200 Vac, the pre-actuators must be supplied from the same phase.