

Product availability: Non-Stock - Not normally stocked in distribution facility



### Main

Range of product	Modicon TSX Micro automation platform
Product or component type	Modular base controller
Primary voltage	100...240 V 90...264 V AC
Input current	2 mA 60 A
Immunity to micro-breaks	20 ms
Output current	0.5 A

### Complementary

Number of slots	3
Analogue input type	0...10 V 8
Analogue output type	0...10 V 1
Counting input type	Discrete incremental counter 1 10 Hz Incremental 1 10 Hz
Integrated connection type	1 serial link (TER/AUX) Uni-Telway 19.2 kbit/s 1 Modbus Modbus RTU 19.2 kbit/s
Realtime clock	With
Memory description	Flash 15 Kwords data Internal RAM 20 Kwords data Internal RAM (with PCMCIA card) 128 Kwords program and data Internal RAM 128 Kwords data storage
Maximum size of object areas	128 %KWi constant words 256 %Mi 1 %MWi internal words
Execution time per instruction	0.13 µs Boolean without PCMCIA card 4.5 µs arithmetic REAL floating without PCMCIA card 0.19 µs Boolean with PCMCIA card 4.5 µs arithmetic REAL floating with PCMCIA card
Execution time for 1 Kinstruction	5.88 100 % Boolean without PCMCIA card 0.27 65 % Boolean and 35 % numerical without PCMCIA card 4 100 % Boolean with PCMCIA card 0.266 65 % Boolean and 35 % numerical with PCMCIA card
Application structure	1 fast task 16 event tasks 1 master task
System overhead	2.3 ms master task
Protection type	Overload protection Short-circuit
Network frequency	50...60 Hz
Total useful secondary power	24 W
Electromagnetic compatibility	Electrostatic discharge IEC 1000-4-2 level 3 Electromagnetic field immunity test IEC 1000-4-3 level 3 Resistance to fast transient IEC 1000-4-4 level 3 Immunity to impulse waves IEC 1000-4-5 Damped oscillatory wave IEC 1000-4-12 Immunity to electromagnetic interference IEC 61131-2

The information provided in this documentation contains general descriptions and/or technical characteristics of the performance of the products contained herein. This documentation is not intended as a substitute for and is not to be used for determining suitability or reliability of these products for specific user applications. It is the duty of any such user or integrator to perform the appropriate and complete risk analysis, evaluation and testing of the products with respect to the relevant specific application or use thereof. Neither Schneider Electric Industries SAS nor any of its affiliates or subsidiaries shall be responsible or liable for misuse of the information contained herein.

## Environment

Ambient air temperature for operation	32...140 °F (0...60 °C)
Ambient air temperature for storage	-13...158 °F (-25...70 °C)
Relative humidity	10...95 % without condensation for operation 5...95 % without condensation for operation
Operating altitude	0...6561.68 ft (0...2000 m)
Width	13.44 in (341.4 mm)
Height	5.94 in (151 mm)
Depth	5.98 in (152 mm)
Product weight	3.86 lb(US) (1.75 kg)

## Ordering and shipping details

Category	22556 - TSX MICRO, PL7 MICRO & ACCESS
Discount Schedule	PC14
GTIN	00785901580560
Package weight(Lbs)	1.85 kg (4.08 lb(US))
Returnability	No
Country of origin	FR

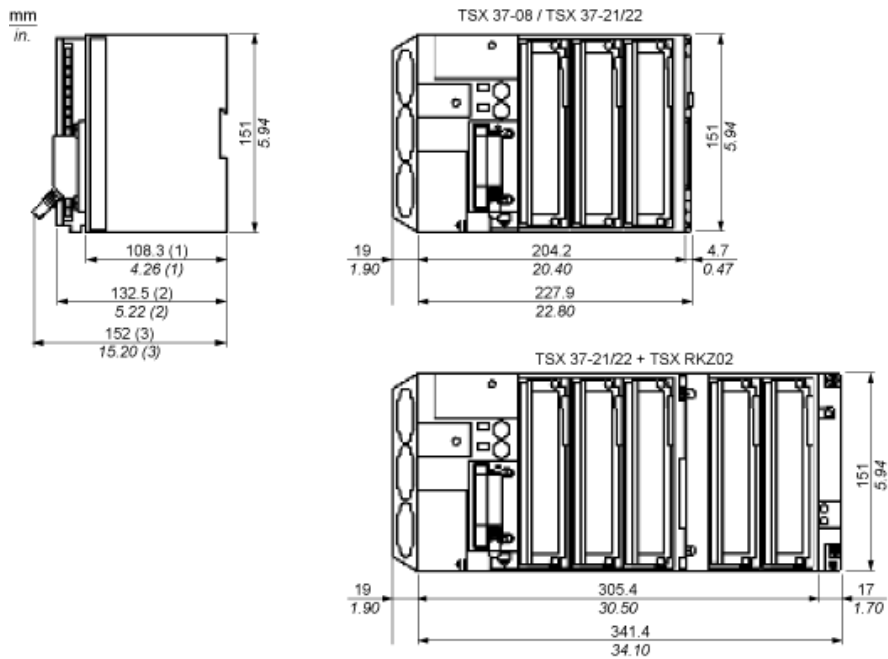
## Offer Sustainability

California proposition 65	WARNING: This product can expose you to chemicals including: Lead and lead compounds which is known to the State of California to cause Carcinogen & Reproductive harm. For more information go to <a href="http://www.p65warnings.ca.gov">www.p65warnings.ca.gov</a>
REACH Regulation	<a href="#">REACH Declaration</a>
EU RoHS Directive	Not applicable, out of EU RoHS legal scope
China RoHS Regulation	<a href="#">China RoHS Declaration</a>
WEEE	The product must be disposed on European Union markets following specific waste collection and never end up in rubbish bins.

## Contractual warranty

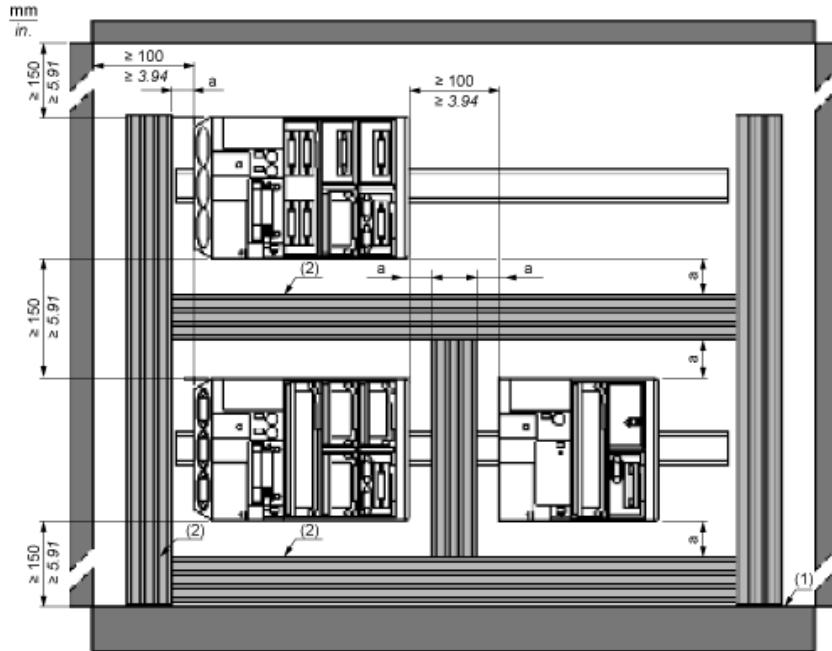
Warranty	18 months
----------	-----------

Dimensions



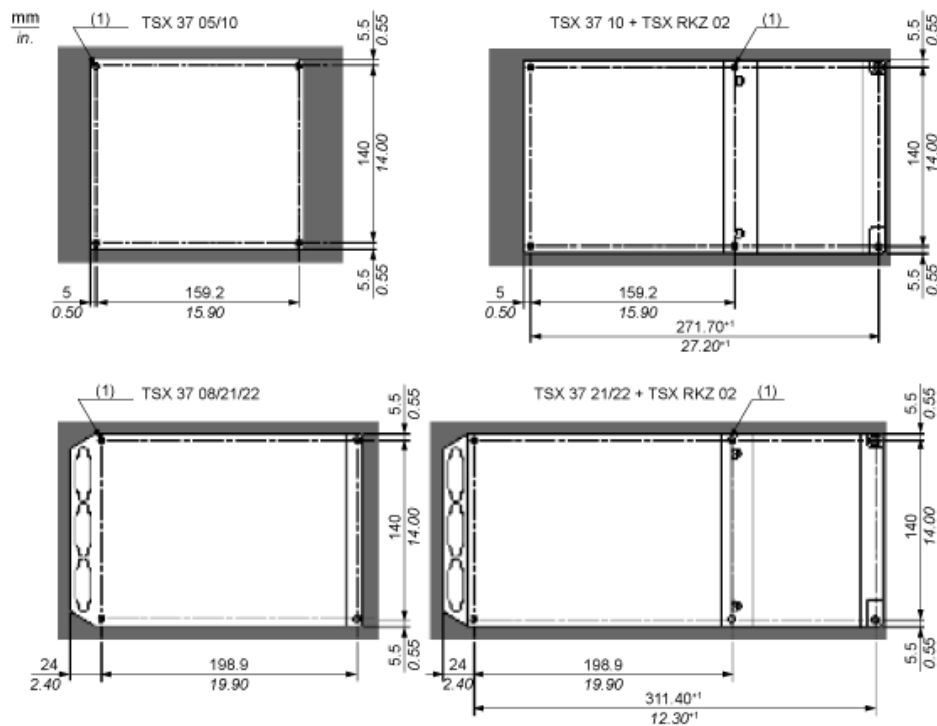
- (1) PLC empty.
- (2) With screw terminal block.
- (3) With HE10 or SubD connector.

Spacing Requirements



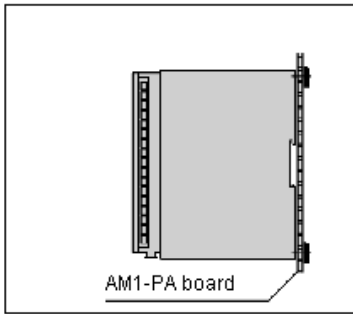
- a 50 mm/1.97 in. minimum  
 (1) Installation or casing  
 (2) Trough or cable tray

Panel/Board Mounting



- (1) The diameter of the fixing holes must be sufficient to take M4 screws.

Side View



Use 4 screws with M4x16AF1-VA416 captive washers and 4 M4 AF1-EA4 clip nuts.