



### Main

|                           |                                       |
|---------------------------|---------------------------------------|
| Range of product          | Modicon TSX Micro automation platform |
| Product or component type | Modular base controller               |
| Primary voltage           | 100...240 V 90...264 V AC             |
| Input current             | 2 mA < 60 A                           |
| Immunity to micro-breaks  | < 20 ms                               |
| Output current            | 0.5 A                                 |

### Complementary

|                                    |  |
|------------------------------------|--|
| Number of slots                    | 3  |
| Integrated connection type         | 1 Modbus Modbus RTU 19.2 kbit/s<br>1 serial link (TER/AUX) Uni-Telway 19.2 kbit/s  |
| Realtime clock                     | With   |
| Memory description                 | Internal RAM 128 Kwords data storage<br>Internal RAM (with PCMCIA card) 128 Kwords program and data<br>Internal RAM 20 Kwords data<br>Flash 15 Kwords data   |
| Maximum size of object areas       | 256 %Mi<br>1 %MWi internal words<br>128 %KWi constant words  |
| Execution time per instruction     | 4.5 µs arithmetic REAL floating with PCMCIA card<br>0.19 µs Boolean with PCMCIA card<br>4.5 µs arithmetic REAL floating without PCMCIA card<br>0.13 µs Boolean without PCMCIA card   |
| Execution time for 1 K instruction | 0.266 65 % Boolean and 35 % numerical with PCMCIA card<br>4 100 % Boolean with PCMCIA card<br>0.27 65 % Boolean and 35 % numerical without PCMCIA card<br>5.88 100 % Boolean without PCMCIA card   |
| Application structure              | 1 fast task<br>1 master task<br>16 event tasks   |
| System overhead                    | 1.6 ms master task   |
| Protection type                    | Overload protection<br>Short-circuit   |
| Total useful secondary power       | 16 W   |
| Electromagnetic compatibility      | Immunity to electromagnetic interference IEC 61131-2<br>Damped oscillatory wave IEC 1000-4-12<br>Immunity to impulse waves IEC 1000-4-5<br>Resistance to fast transient IEC 1000-4-4 level 3<br>Electromagnetic field immunity test IEC 1000-4-3 level 3<br>Electrostatic discharge IEC 1000-4-2 level 3 |

### Environment

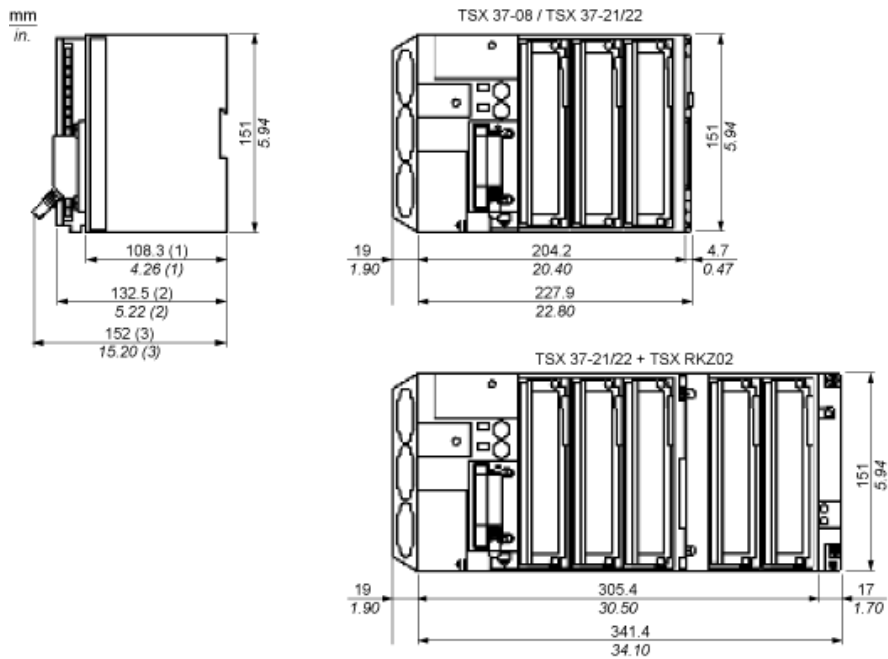
|                                       |   |
|---------------------------------------|---|
| Ambient air temperature for operation | 0...60 °C   |
| Ambient air temperature for storage   | -25...70 °C   |
| Relative humidity                     | 5...95 % without condensation for operation<br>10...95 % without condensation for operation |
| Operating altitude                    | 0...2000 m  |
| Width                                 | 341.4 mm  |
| Height                                | 151 mm  |

---

|                |         |
|----------------|---------|
| Depth          | 152 mm  |
| Product weight | 1.72 kg |

---

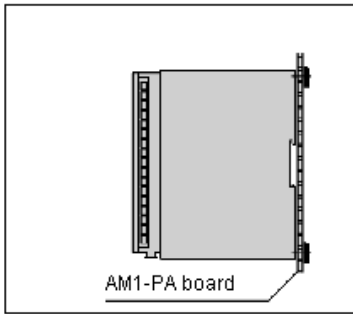
Dimensions



- (1) PLC empty.
- (2) With screw terminal block.
- (3) With HE10 or SubD connector.



Side View



Use 4 screws with M4x16AF1-VA416 captive washers and 4 M4 AF1-EA4 clip nuts.