

Type N F/M Bulkhead Coaxial RF Surge Protector, 698MHz - 2.7GHz,  
DC Block, 500W, IP67, .005uJ, 40kA, Filter, Low PIM, Hole Mount



## TSX-NFM-P

### Features

- Surge current of 40kA
- Max Power 500W
- Frequency range from 698 MHz to 2700 MHz
- Waterproof IP67 rated
- N Female to N Male connectors
- DC Block
- VSWR <1.1:1
- Low insertion loss
- CE & RoHS compliant
- Bidirectional

### Applications

- Cellular communication systems
- Public safety systems
- Emergency response systems
- Industrial Communications

### Description

RF surge protector (also known as lightning arrester) TSX-NFM-P from PolyPhaser utilizing a patented spiral inductor design enables an almost instantaneous response to a lightning surge to protect critical hardware while maintaining the RF performance. This RF surge protector component is manufactured in a coaxial in-line design with wide operating frequency range. All PolyPhaser RF surge protector products are available in stock with same day shipping.

### Electrical Specifications

Description	Surge Protector Type DC Handling		Surge Filter DC Block		Units
	Minimum	Typical	Maximum		
Frequency Range	0.698		2.7		GHz
Impedance		50			Ohms
VSWR			1.1:1		
Return Loss			26		dB
Insertion Loss			0.1		dB
Passive Intermodulation			-155		dBc
Input Power, CW			500		Watts
500W @ 920MHz					
750W @ 50°C					
Surge Current		20	40		kA
IEC 61000-4-5 8/20µs WAVEFORM					
Throughput Energy			5		nJ
FOR 3kA @ 8/20µs WAVEFORM					

Click the following link (or enter part number in "SEARCH" on website) to obtain additional part information including price, inventory and certifications:  
[Type N F/M Bulkhead Coaxial RF Surge Protector, 698MHz - 2.7GHz, DC Block, 500W, IP67, .005uJ, 40kA, Filter, Low PIM, Hole Mount TSX-NFM-P](#)

Type N F/M Bulkhead Coaxial RF Surge Protector, 698MHz - 2.7GHz,  
DC Block, 500W, IP67, .005uJ, 40kA, Filter, Low PIM, Hole Mount



## TSX-NFM-P

### Mechanical Specifications

#### Size

Length	3.3 in [83.82 mm]
Width/Diameter	1.18 in [29.97 mm]
Weight	0.55 lbs [249.48 g]

#### Configuration

Input Connector	N Female
Output Connector	N Male

### Environmental Specifications

#### Temperature

Operating Range	-50 to +85 deg C
Ingress Protection (IP) Rating	IP67
Vibration	1G @ 5Hz to 100Hz

### Compliance Certifications

CE

### Plotted and Other Data

Notes:

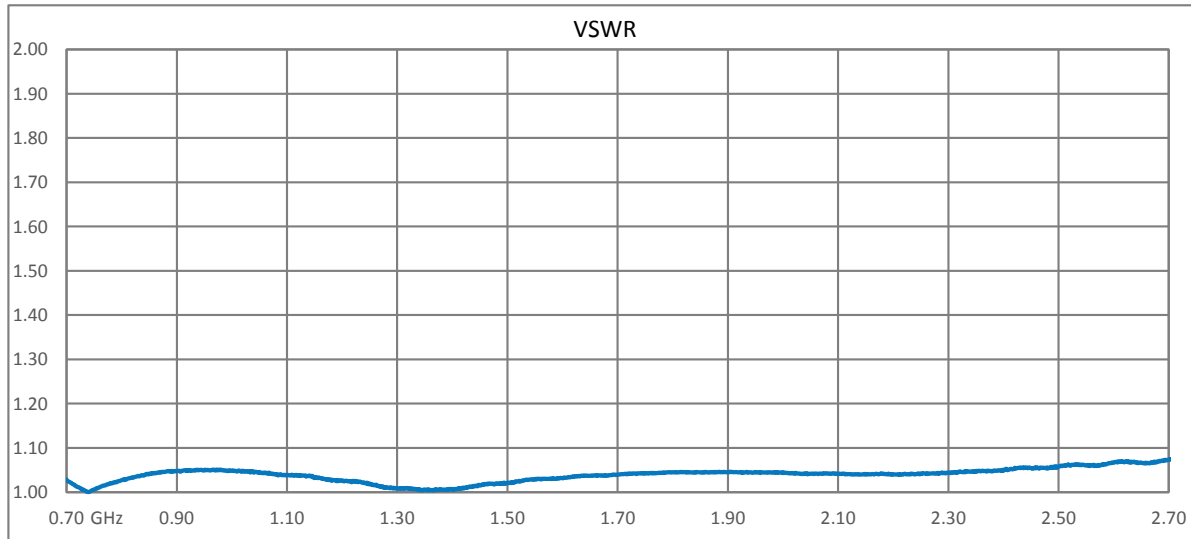
Click the following link (or enter part number in "SEARCH" on website) to obtain additional part information including price, inventory and certifications:  
[Type N F/M Bulkhead Coaxial RF Surge Protector, 698MHz - 2.7GHz, DC Block, 500W, IP67, .005uJ, 40kA, Filter, Low PIM, Hole Mount TSX-NFM-P](#)

Type N F/M Bulkhead Coaxial RF Surge Protector, 698MHz - 2.7GHz,  
DC Block, 500W, IP67, .005uJ, 40kA, Filter, Low PIM, Hole Mount



## TSX-NFM-P

### Typical Performance Data



Click the following link (or enter part number in "SEARCH" on website) to obtain additional part information including price, inventory and certifications:  
[Type N F/M Bulkhead Coaxial RF Surge Protector, 698MHz - 2.7GHz, DC Block, 500W, IP67, .005uJ, 40kA, Filter, Low PIM, Hole Mount TSX-NFM-P](#)

Type N F/M Bulkhead Coaxial RF Surge Protector, 698MHz - 2.7GHz,  
DC Block, 500W, IP67, .005uJ, 40kA, Filter, Low PIM, Hole Mount



## TSX-NFM-P



PolyPhaser protects and increases the reliability of global RF communications networks, including transportation, telecommunications, defense, security and industrial applications, with superior RF surge protection technologies including DC Block, DC Pass and Ultra Low PIM. Backed by responsive service and expert technical support PolyPhaser continually expands its product offering and services to serve engineers' urgent needs for RF components in mission critical communication networks.

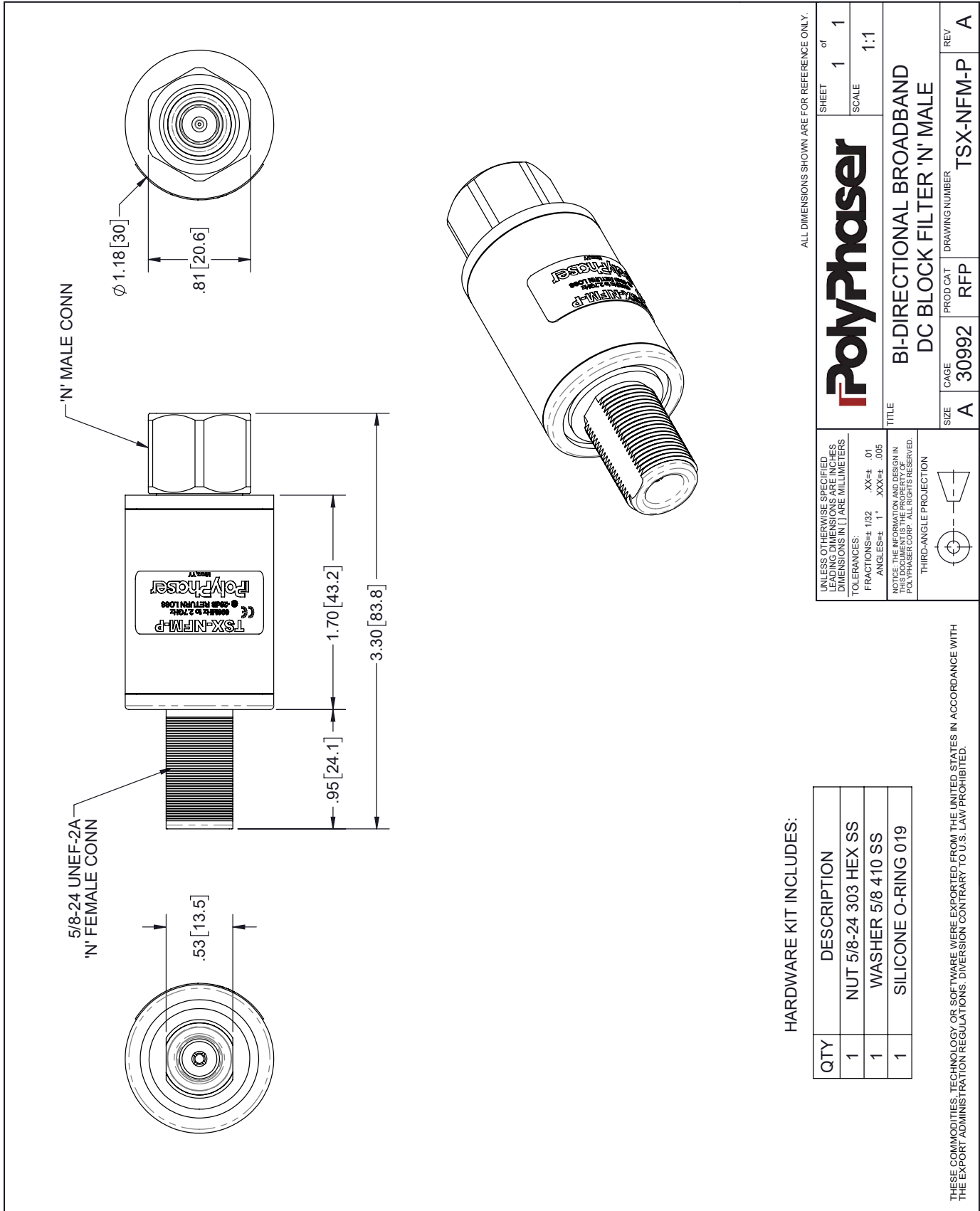
Click the following link (or enter part number in "SEARCH" on website) to obtain additional part information including price, inventory and certifications: [Type N F/M Bulkhead Coaxial RF Surge Protector, 698MHz - 2.7GHz, DC Block, 500W, IP67, .005uJ, 40kA, Filter, Low PIM, Hole Mount TSX-NFM-P](https://www.polyphaser.com/type-n-surge-protector-2.7ghz-filter-tsx-nfm-p-p.aspx)

URL: <https://www.polyphaser.com/type-n-surge-protector-2.7ghz-filter-tsx-nfm-p-p.aspx>

The information contained in this document is accurate to the best of our knowledge and representative of the part described herein. It may be necessary to make modifications to the part and/or the documentation of the part, in order to implement improvements. PolyPhaser reserves the right to make such changes as required. Unless otherwise stated, all specifications are nominal. PolyPhaser does not make any representation or warranty regarding the suitability of the part described herein for any particular purpose, and PolyPhaser does not assume any liability arising out of the use of any part or documentation.

Type N F/M Bulkhead Coaxial RF Surge Protector, 698MHz - 2.7GHz, DC Block, 500W, IP67, .005uJ, 40kA, Filter, Low PIM, Hole Mount

TSX-NFM-P CAD Drawing



ALL DIMENSIONS SHOWN ARE FOR REFERENCE ONLY.

UNLESS OTHERWISE SPECIFIED, LEADING DIMENSIONS ARE IN INCHES DIMENSIONS IN [ ] ARE MILLIMETERS		SHEET 1 of 1
TOLERANCES:		SCALE 1:1
FRACTIONS: ± 1/32	XX ± .01	
ANGLES: ± 1°	XXX ± .005	
NOTE: THIS DRAWING IS THE PROPERTY OF POLYPHASER CORP. ALL RIGHTS RESERVED.		
THIRD-ANGLE PROJECTION		
TITLE		REV
BI-DIRECTIONAL BROADBAND DC BLOCK FILTER 'N' MALE		A
SIZE	CAGE	PROD CAT
A	30992	RFP
	DRAWING NUMBER	REV
	TSX-NFM-P	A

HARDWARE KIT INCLUDES:

QTY	DESCRIPTION
1	NUT 5/8-24 303 HEX SS
1	WASHER 5/8 410 SS
1	SILICONE O-RING 019

THESE COMMODITIES, TECHNOLOGY OR SOFTWARE WERE EXPORTED FROM THE UNITED STATES IN ACCORDANCE WITH THE EXPORT ADMINISTRATION REGULATIONS. DIVERSION CONTRARY TO U.S. LAW PROHIBITED.