

Type N F/F Bulkhead Coaxial RF Surge Protector, 698MHz - 2.7GHz, DC Block, 500W, IP67, .005uJ, 40kA, Filter



## TSX-NFF

### Features

- Surge current of 40kA
- Max Power 500W
- Frequency range from 698 MHz to 2700 MHz
- Waterproof IP67 rated
- N-type Female connectors
- DC Block
- VSWR <1.1:1
- Low insertion loss
- CE & RoHS compliant
- Bidirectional

### Applications

- Cellular communication systems
- Public safety systems
- Emergency response systems
- Industrial Communications

### Description

RF surge protector (also known as lightning arrester) TSX-NFF from PolyPhaser utilizing a patented spiral inductor design enables an almost instantaneous response to a lightning surge to protect critical hardware while maintaining the RF performance. This RF surge protector component is manufactured in a coaxial in-line design with wide operating frequency range. All PolyPhaser RF surge protector products are available in stock with same day shipping.

### Electrical Specifications

Surge Protector Type DC Handling	Surge Filter DC Block			
Description	Minimum	Typical	Maximum	Units
Frequency Range	0.698		2.7	GHz
Impedance		50		Ohms
VSWR			1.1:1	
Return Loss			26	dB
Insertion Loss			0.1	dB
Input Power, CW			500	Watts
500W @ 920MHz				
750W @ 50°C				
Surge Current		20	40	kA
IEC 61000-4-5 8/20µs WAVEFORM				
Throughput Energy			5	nJ
FOR 3kA @ 8/20µs WAVEFORM				

Click the following link (or enter part number in "SEARCH" on website) to obtain additional part information including price, inventory and certifications:  
[Type N F/F Bulkhead Coaxial RF Surge Protector, 698MHz - 2.7GHz, DC Block, 500W, IP67, .005uJ, 40kA, Filter TSX-NFF](#)

Type N F/F Bulkhead Coaxial RF Surge Protector, 698MHz - 2.7GHz, DC Block, 500W, IP67, .005uJ, 40kA, Filter



## TSX-NFF

### Mechanical Specifications

#### Size

Length	3.61 in [91.69 mm]
Width/Diameter	1.18 in [29.97 mm]
Weight	0.55 lbs [249.48 g]

#### Configuration

Input Connector	N Female
Output Connector	N Female

### Environmental Specifications

#### Temperature

Operating Range	-50 to +85 deg C
-----------------	------------------

Ingress Protection (IP) Rating

IP67

Vibration

1G @ 5Hz to 100Hz

### Compliance Certifications

RoHS Compliant	Yes
CE Compliant	Yes
UL	Yes
Certifications	UL497E

### Plotted and Other Data

Notes:

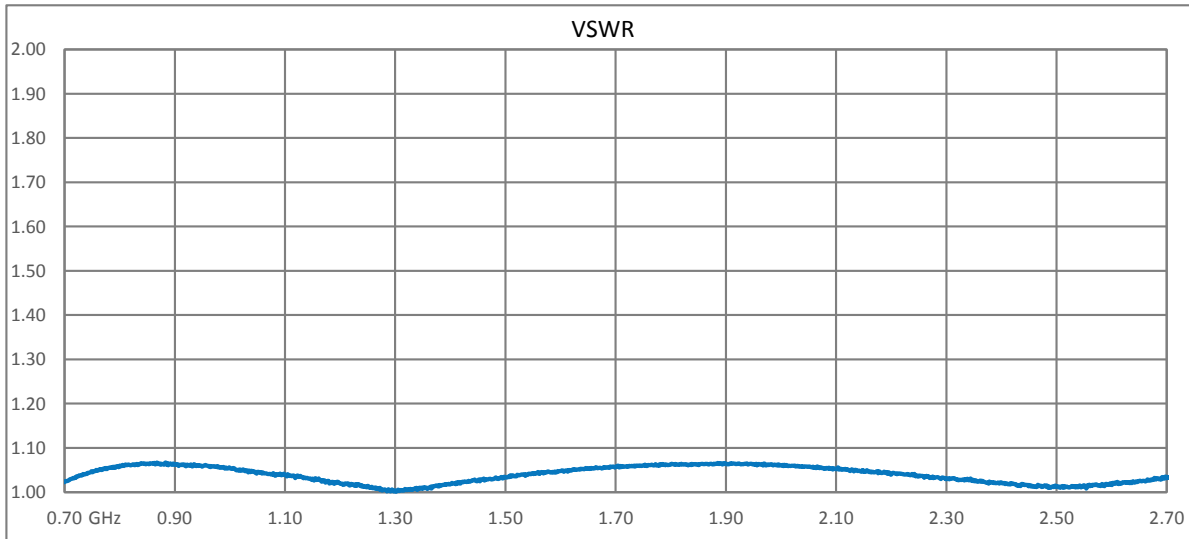
Click the following link (or enter part number in "SEARCH" on website) to obtain additional part information including price, inventory and certifications:  
[Type N F/F Bulkhead Coaxial RF Surge Protector, 698MHz - 2.7GHz, DC Block, 500W, IP67, .005uJ, 40kA, Filter TSX-NFF](#)

Type N F/F Bulkhead Coaxial RF Surge Protector, 698MHz - 2.7GHz, DC Block, 500W, IP67, .005uJ, 40kA, Filter



## TSX-NFF

### Typical Performance Data



Click the following link (or enter part number in "SEARCH" on website) to obtain additional part information including price, inventory and certifications:  
[Type N F/F Bulkhead Coaxial RF Surge Protector, 698MHz - 2.7GHz, DC Block, 500W, IP67, .005uJ, 40kA, Filter TSX-NFF](#)

Type N F/F Bulkhead Coaxial RF Surge Protector, 698MHz - 2.7GHz, DC Block, 500W, IP67, .005uJ, 40kA, Filter



## TSX-NFF



PolyPhaser protects and increases the reliability of global RF communications networks, including transportation, telecommunications, defense, security and industrial applications, with superior RF surge protection technologies including DC Block, DC Pass and Ultra Low PIM. Backed by responsive service and expert technical support PolyPhaser continually expands its product offering and services to serve engineers' urgent needs for RF components in mission critical communication networks.

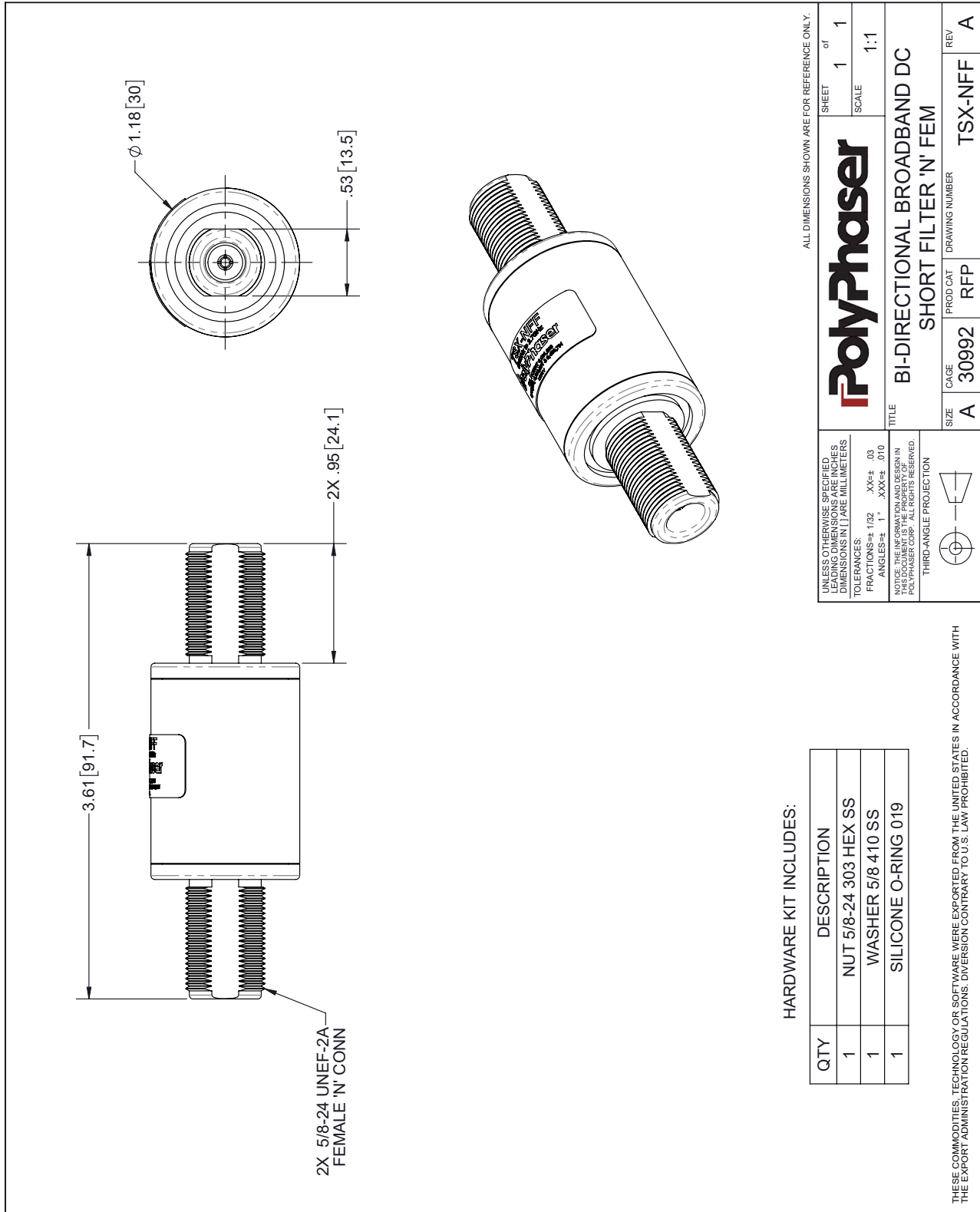
Click the following link (or enter part number in "SEARCH" on website) to obtain additional part information including price, inventory and certifications: [Type N F/F Bulkhead Coaxial RF Surge Protector, 698MHz - 2.7GHz, DC Block, 500W, IP67, .005uJ, 40kA, Filter TSX-NFF](https://www.polyphaser.com/type-n-surge-protector-2.7ghz-filter-tsx-nff-p.aspx)

URL: <https://www.polyphaser.com/type-n-surge-protector-2.7ghz-filter-tsx-nff-p.aspx>

The information contained in this document is accurate to the best of our knowledge and representative of the part described herein. It may be necessary to make modifications to the part and/or the documentation of the part, in order to implement improvements. PolyPhaser reserves the right to make such changes as required. Unless otherwise stated, all specifications are nominal. PolyPhaser does not make any representation or warranty regarding the suitability of the part described herein for any particular purpose, and PolyPhaser does not assume any liability arising out of the use of any part or documentation.

Type N F/F Bulkhead Coaxial RF Surge Protector, 698MHz - 2.7GHz,  
DC Block, 500W, IP67, .005uJ, 40kA, Filter

TSX-NFF CAD Drawing



HARDWARE KIT INCLUDES:

QTY	DESCRIPTION
1	NUT 5/8-24 303 HEX SS
1	WASHER 5/8 410 SS
1	SILICONE O-RING 019

THESE COMMODITIES, TECHNOLOGY OR SOFTWARE WERE EXPORTED FROM THE UNITED STATES IN ACCORDANCE WITH THE EXPORT ADMINISTRATION REGULATIONS. DIVERSION CONTRARY TO U.S. LAW PROHIBITED.

ALL DIMENSIONS SHOWN ARE FOR REFERENCE ONLY.

UNLESS OTHERWISE SPECIFIED LEADING DIMENSIONS ARE IN INCHES DIMENSIONS IN [ ] ARE MILLIMETERS.		SHEET 1 of 1	
TOLERANCES: FRACTIONS: 1/32 .XX#± .03 ANGLES: 1° .XXX#± .010		SCALE 1:1	
NOTICE: THE INFORMATION AND DESIGN IN THIS DRAWING IS THE PROPERTY OF POLYPHASER CORP. ALL RIGHTS RESERVED.		TITLE BI-DIRECTIONAL BROADBAND DC SHORT FILTER 'N' FEM	
THIRD-ANGLE PROJECTION	SIZE A	CAGE 30992	REV A
	PROD CAT RFP	DRAWING NUMBER TSX-NFF	