



Europa

TE Internal #: 1776303-3

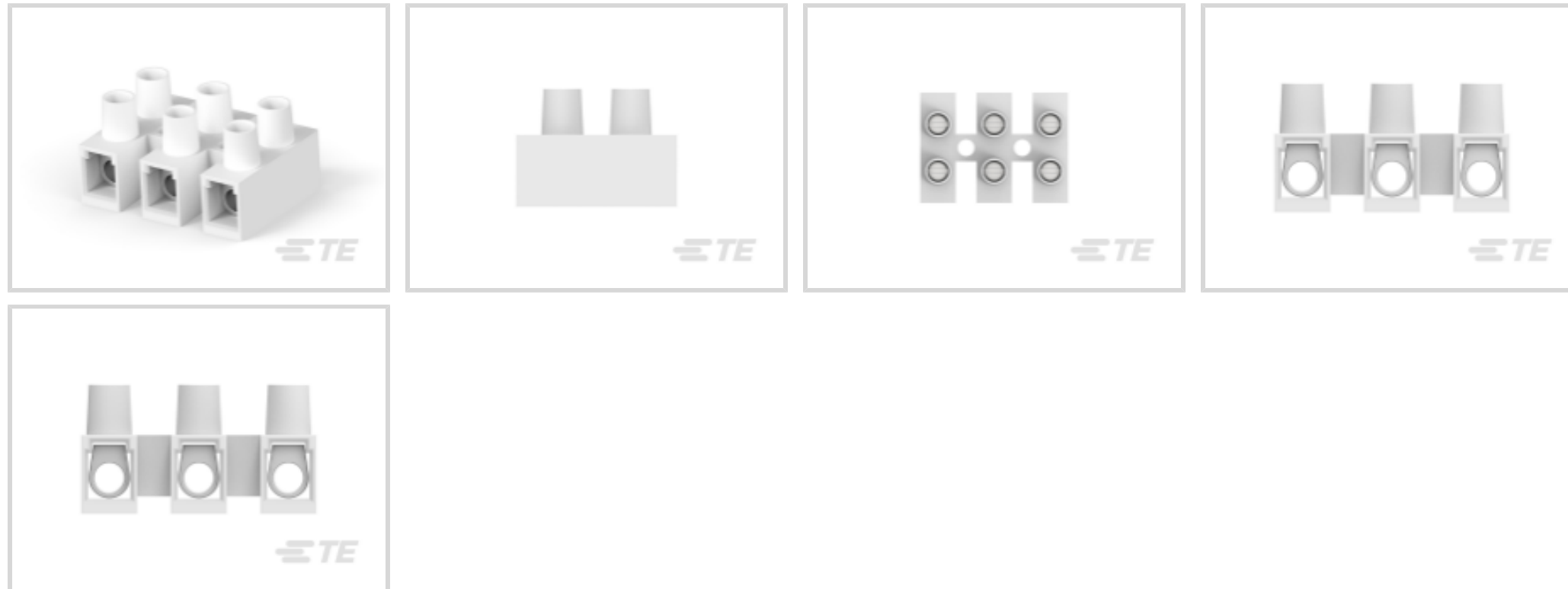
Barrier Strips, Wire-to-Wire, 3 Position, 12 mm [.472 in] Centerline, 1

Row, Operating Voltage 250 V, 22 – 8 AWG Wire Size, .3 – 8 mm<sup>2</sup>

Wire Size

[View on TE.com >](#)

Connectors > Terminal Blocks & Strips > Barrier Strips



Connector System: **Wire-to-Wire**

Number of Positions: **3**

Centerline (Pitch): **12 mm [.472 in]**

Number of Rows: **1**

Operating Voltage: **250 V**

**Features**

**Product Type Features**

Block Style	None
Connector System	Wire-to-Wire
Connector & Contact Terminates To	Wire & Cable

**Configuration Features**

Number of Levels	1
Number of Positions	3
Number of Rows	1

**Electrical Characteristics**

Operating Voltage	250 V
-------------------	-------

**Body Features**

Quick Connect Tab Plating Material	Tin
Primary Product Color	Natural
Product Orientation	Right Angle



### Contact Features

Contact Base Material	Brass
Contact Current Rating (Max)	50 A

### Mechanical Attachment

Screw Plating Material	Zinc Chromate
Screw Material	Steel
Mounting Options	3.6mm Diameter Mounting Holes
Thread Size	M3.5
Connector Mounting Type	Panel Mount

### Housing Features

Housing Material	Polyamide 6
Centerline (Pitch)	12 mm [.472 in]

### Dimensions

Product Length	31.5 mm
Wire Size	.3 – 8 mm <sup>2</sup>

### Usage Conditions

Operating Temperature Range	-35 – 100 °C [-31 – 212 °F]
-----------------------------	-----------------------------

### Operation/Application

Circuit Application	Power
---------------------	-------

### Industry Standards

UL Flammability Rating	UL 94V-2
------------------------	----------

### Packaging Features

Packaging Quantity	400
Packaging Method	Package

### Product Compliance

[For compliance documentation, visit the product page on TE.com>](#)

EU RoHS Directive 2011/65/EU	Compliant with Exemptions
EU ELV Directive 2000/53/EC	Compliant with Exemptions
China RoHS 2 Directive MIIT Order No 32, 2016	Restricted Materials Above Threshold
EU REACH Regulation (EC) No. 1907/2006	Current ECHA Candidate List: JUNE 2024 (241)



Candidate List Declared Against: JAN 2024 (240)

SVHC > Threshold:

Pb (3% in Component Part)

**Article Safe Usage Statements:**

Do not eat, drink or smoke when using this product. Wash thoroughly after handling. Recycle if possible and dispose of the article by following all applicable governmental regulations relevant to your geographic location.

Halogen Content

Low Halogen - Br, Cl, F, I < 900 ppm per homogenous material. Also BFR/CFR/PVC Free

Solder Process Capability

Not applicable for solder process capability

**Product Compliance Disclaimer**

This information is provided based on reasonable inquiry of our suppliers and represents our current actual knowledge based on the information they provided. This information is subject to change. The part numbers that TE has identified as EU RoHS compliant have a maximum concentration of 0.1% by weight in homogenous materials for lead, hexavalent chromium, mercury, PBB, PBDE, DBP, BBP, DEHP, DIBP, and 0.01% for cadmium, or qualify for an exemption to these limits as defined in the Annexes of Directive 2011/65/EU (RoHS2). Finished electrical and electronic equipment products will be CE marked as required by Directive 2011/65/EU. Components may not be CE marked. Additionally, the part numbers that TE has identified as EU ELV compliant have a maximum concentration of 0.1% by weight in homogenous materials for lead, hexavalent chromium, and mercury, and 0.01% for cadmium, or qualify for an exemption to these limits as defined in the Annexes of Directive 2000/53/EC (ELV). Regarding the REACH Regulation, the information TE provides on SVHC in articles for this part number is based on the latest European Chemicals Agency (ECHA) 'Guidance on requirements for substances in articles' posted at this URL: <https://echa.europa.eu/guidance-documents/guidance-on-reach>

## Compatible Parts



TE Part # 1776302-3  
TSB100003DS=EUROPA TM BLK, 12MM



TE Part # 1776304-3  
TSB100003DSHT=EUROPA T-BL, 12MM

## Customers Also Bought



TE Part #520974-2  
ULTRA-POD 250 ASSY REC 14-12 AWG TPBR



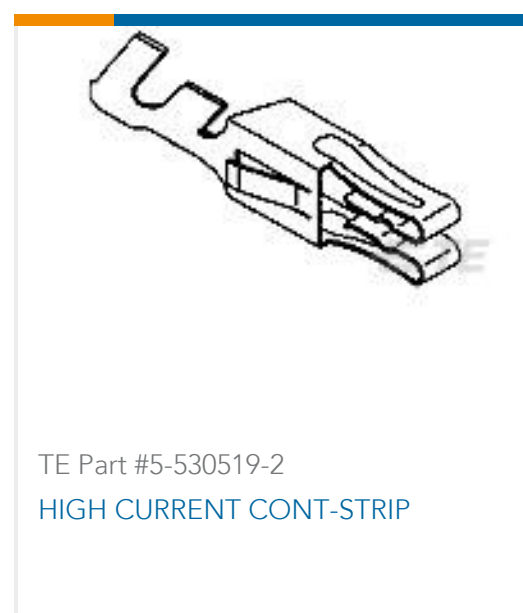
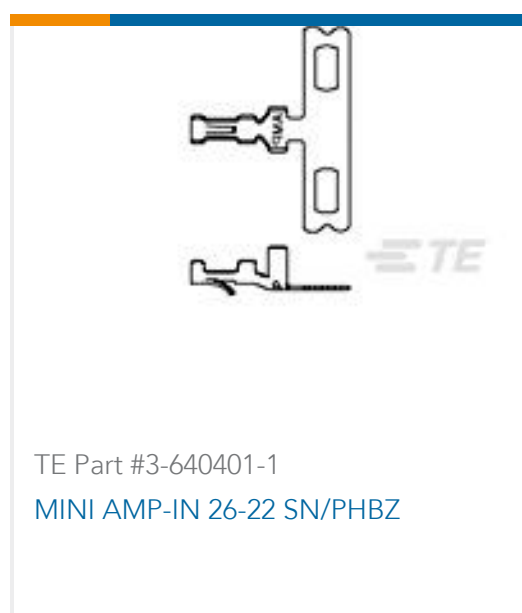
TE Part #T4141012121-000  
M12,REAR MOUNT,FEMALE,A,12P, SOLDER PCB



TE Part #2-520182-2  
ULTRAFast 187 ASSY REC 22-18 TPBR LP



TE Part #3-521057-2  
ULTRAFast 250 ASSY TAB 16-14 AWG TPBR



## Documents

### Product Drawings

[TSB100003=EUROPA TERM BLK,12MM](#)

English

### CAD Files

Customer View Model

[ENG\\_CVM\\_CVM\\_1776303-3\\_O1.3d\\_stp.zip](#)

English

Customer View Model

[ENG\\_CVM\\_CVM\\_1776303-3\\_O1.2d\\_dxf.zip](#)

English

[3D PDF](#)

3D

Customer View Model

[ENG\\_CVM\\_CVM\\_1776303-3\\_O1.3d\\_igs.zip](#)

English

By downloading the CAD file I accept and agree to the [Terms and Conditions](#) of use.

### Datasheets & Catalog Pages

[BUCHANAN TERMINAL BLOCKS CATALOG - EUROPA TERMINAL BLOCKS](#)

English