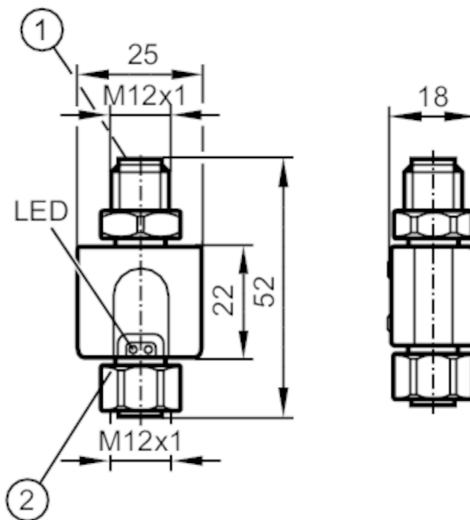


# TP3231



## Evaluation unit for PT100/PT1000 temperature sensors

TP- CEC -A-ZVG/US/



- 1 connection for voltage supply and output signals  
2 connection for temperature sensor



### Product characteristics

Number of inputs and outputs	Number of analog outputs: 1	
Measuring range	-50...300 °C	-58...572 °F

### Application

System	gold-plated contacts
Application	for Pt100 and Pt1000 measuring elements

### Electrical data

Operating voltage	[V]	20...32 DC
Protection class		III
Reverse polarity protection		yes
Power-on delay time	[s]	1
Integrated watchdog		yes

### Inputs / outputs

Number of inputs and outputs	Number of analog outputs: 1
------------------------------	-----------------------------

### Outputs

Total number of outputs	1
Output signal	analog signal; IO-Link; (configurable)
Number of analog outputs	1
Analog current output	[mA] 4...20
Max. load	[Ω] 300
Short-circuit protection	yes
Type of short-circuit protection	yes (non-latching)
Overload protection	yes

### Measuring/setting range


Measuring range	-50...300 °C	-58...572 °F
Factory setting	-50...150 °C	

# TP3231



## Evaluation unit for PT100/PT1000 temperature sensors

TP- CEC -A-ZVG/US/

Accuracy / deviations		
Precision analog output [K]		$\pm 0,3 + (\pm 0,1 \% MS)$
Temperature coefficient [% of the span / 10 K]		0,1
Interfaces		
Communication interface		IO-Link
Transmission type		COM2 (38,4 kBaud)
IO-Link revision		1.0
Operating conditions		
Ambient temperature [°C]		-25...70
Storage temperature [°C]		-40...85
Protection		IP 67
Tests / approvals		
EMC	EN 61326-1	
Shock resistance	DIN IEC 68-2-27	50 g (11 ms)
Vibration resistance	DIN IEC 68-2-6	20 g (10...2000 Hz)
MTTF [years]		449
Mechanical data		
Weight [g]		40
Dimensions [mm]		M12 x 1
Thread designation		M12 x 1
Material		PA; PET
Material nut		stainless steel (1.4404 / 316L)
Sealing material		FKM
Remarks		
Remarks		cULus - Class 2 source required MS = set measuring span
Pack quantity		1 pcs.
Electrical connection		
Connector: 1 x M12; Moulded body: TPU (urethane); Locking: stainless steel (1.4404 / 316L); sealing: FKM; Contacts: gold-plated		
		

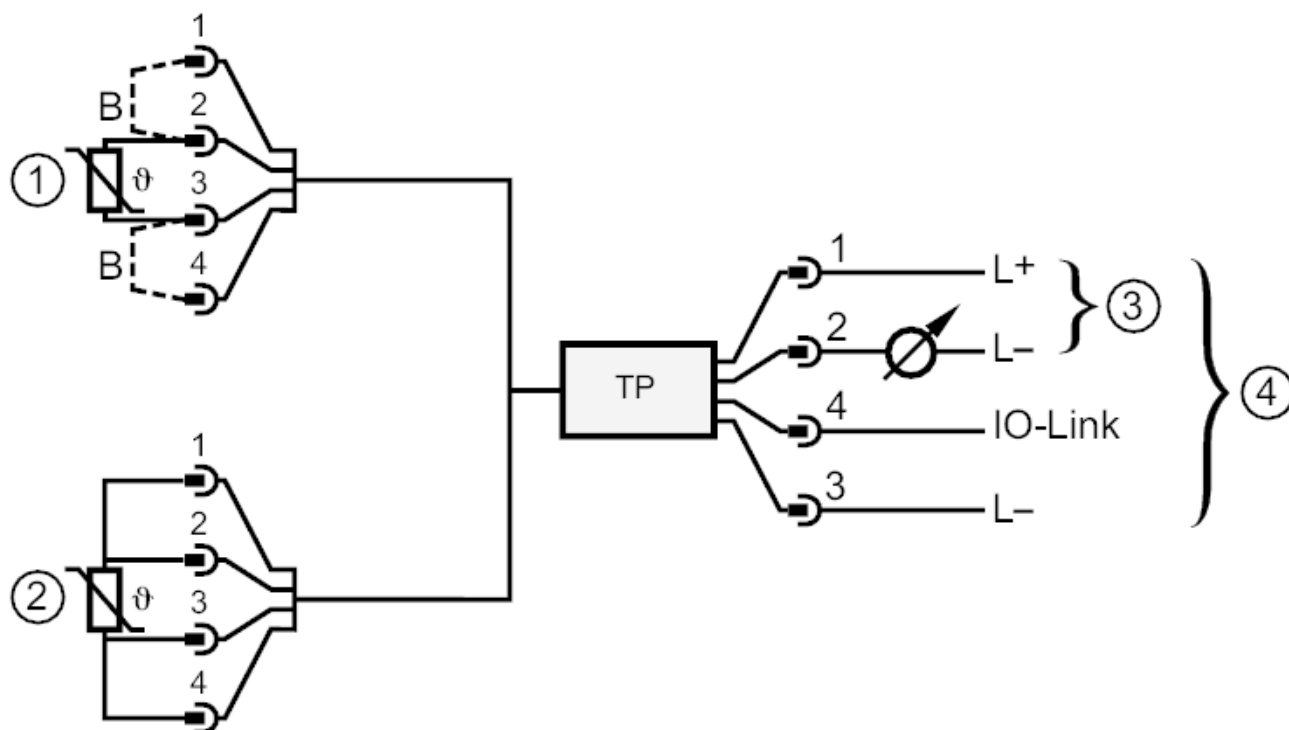
# TP3231



## Evaluation unit for PT100/PT1000 temperature sensors

TP- CEC -A-ZVG/US/

### Connection



- 1: Two-wire sensor
- 2: Four-wire sensor
- 3: Operation as 2-wire temperature transmitter
- 4: Operation as 3-wire unit, IO-Link communication possible
- B: bridge