



Alcoswitch

TE Internal #: 1-1437571-5

Push Button Switches, Single Pole - Double Throw Configuration (Pole-Throw), General Purpose Push Button Switch, Single Actuator

[View on TE.com >](#)

Switches > Push Button Switches



Configuration (Pole-Throw): **Single Pole - Double Throw**

Push Button Switch Product Type: **General Purpose Push Button Switch**

Number of Actuators: **Single**

Actuator Profile: **Extended**

Illuminated: **Without**

**Features**

**Product Type Features**

Switch Connection Type	Printed Circuit
Push Button Switch Product Type	General Purpose Push Button Switch
Illuminated	Without
Actuator Style	Square

**Configuration Features**

Configuration (Pole-Throw)	Single Pole - Double Throw
Number of Actuators	Single
Snap Action	Without
Support Bracket	Without
Switch Feedback Type	Non-Tactile
Operating Function	Momentary

**Electrical Characteristics**

Contact Current Rating	.4 A
Operating Voltage Range	20 VAC

**Body Features**

Actuator Force	340.2 g[12 oz]
Case Material	Polyester
Actuator Material	Polyamide
Product Orientation	Right Angle



Actuator Profile	Extended
------------------	----------

Actuator Color	Black
----------------	-------

### Contact Features

Contact Base Material	Copper Alloy
-----------------------	--------------

Switch Contact Plating Material	Gold over Nickel
---------------------------------	------------------

### Termination Features

Termination Method to Printed Circuit Board	Through Hole - Solder
---	-----------------------

### Housing Features

Low Profile	No
-------------	----

Process Sealed	No
----------------	----

### Dimensions

Actuator Length	3.15 mm[.124 in]
-----------------	------------------

Button Width	3.81 mm[.15 in]
--------------	-----------------

### Usage Conditions

Operating Temperature Range	-30 – 65 °C
-----------------------------	-------------

### Packaging Features

Packaging Method	Bulk
------------------	------

## Product Compliance

[For compliance documentation, visit the product page on TE.com>](#)

EU RoHS Directive 2011/65/EU	Compliant
------------------------------	-----------

EU ELV Directive 2000/53/EC	Not Compliant
-----------------------------	---------------

China RoHS 2 Directive MIIT Order No 32, 2016	No Restricted Materials Above Threshold
---	---

EU REACH Regulation (EC) No. 1907/2006	Current ECHA Candidate List: JUNE 2024 (241) Candidate List Declared Against: JAN 2018 (181) Does not contain REACH SVHC
--	--

Halogen Content	Not Yet Reviewed for halogen content
-----------------	--------------------------------------

Solder Process Capability	Wave solder capable to 265°C
---------------------------	------------------------------

#### Product Compliance Disclaimer

This information is provided based on reasonable inquiry of our suppliers and represents our current actual knowledge based on the information they provided. This information is subject to change. The part numbers that TE has identified as EU RoHS compliant have a maximum concentration of 0.1% by weight in homogenous materials for lead, hexavalent

chromium, mercury, PBB, PBDE, DBP, BBP, DEHP, DIBP, and 0.01% for cadmium, or qualify for an exemption to these limits as defined in the Annexes of Directive 2011/65/EU (RoHS2). Finished electrical and electronic equipment products will be CE marked as required by Directive 2011/65/EU. Components may not be CE marked. Additionally, the part numbers that TE has identified as EU ELV compliant have a maximum concentration of 0.1% by weight in homogenous materials for lead, hexavalent chromium, and mercury, and 0.01% for cadmium, or qualify for an exemption to these limits as defined in the Annexes of Directive 2000/53/EC (ELV). Regarding the REACH Regulation, the information TE provides on SVHC in articles for this part number is based on the latest European Chemicals Agency (ECHA) 'Guidance on requirements for substances in articles' posted at this URL: <https://echa.europa.eu/guidance-documents/guidance-on-reach>

## Compatible Parts



TE Part # 1825095-1  
TP11CGPC004



TE Part # 1825095-2  
TP11CGPC204



TE Part # 1825095-3  
TP11CGRA004



TE Part # 7-1437571-7  
TPB11FGVRA0=TINY PUSHBUTTON



TE Part # 1437571-4  
TP11CGPC0=SWITCH P/B N/O BLACK


## Customers Also Bought



TE Part #4-640440-3  
MTA Receptacle: Nylon, Tin Plated, 2.54 mm



TE Part #5227661-1  
BNC PCB RT ANGLE



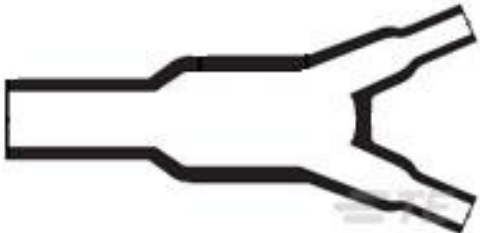
TE Part #640550-3  
03P MTA100 COVER



TE Part #T4110012081-000  
M12 F, 8P GOLD A\_CODE S SHIELDED PG9



TE Part #5748677-2  
PLTD PLST CBL CLMP KIT,SZ 2



TE Part #823748-000  
382A012-4-0



TE Part #66593-4  
TYPE VI PIN,MULTI-MATE,L.P.



TE Part #K1160799  
Emergency Stop Switch ES-2011-T412-018A



## Documents

### Product Drawings

[TP11FGRA0=SWITCH P/B MOMENTARY](#)

English

### CAD Files

Customer View Model

[ENG\\_CVM\\_CVM\\_1-1437571-5\\_A.3d\\_igs.zip](#)

English

Customer View Model

[ENG\\_CVM\\_CVM\\_1-1437571-5\\_A.3d\\_stp.zip](#)

English

Customer View Model

[ENG\\_CVM\\_CVM\\_1-1437571-5\\_A.2d\\_dxf.zip](#)

English

**3D PDF**

3D

By downloading the CAD file I accept and agree to the [Terms and Conditions](#) of use.

### Datasheets & Catalog Pages

[TP Series Data Sheet](#)

English