

TP-103 Series Printed Circuit Mounted Test Points

Printed Circuit Mounted Test Points



Specifications

Materials:

Contact Material: .017" diameter Phosphor Bronze #510 Alloy

Finish: .0001 Matte Tin over .00005 Nickel

Mechanical:

Mounting Holes: .040" diameter, (minimum) plated through hole

TP-103-02 = .200"

TP-103-03 = .100"

TP-103-04 = .100"

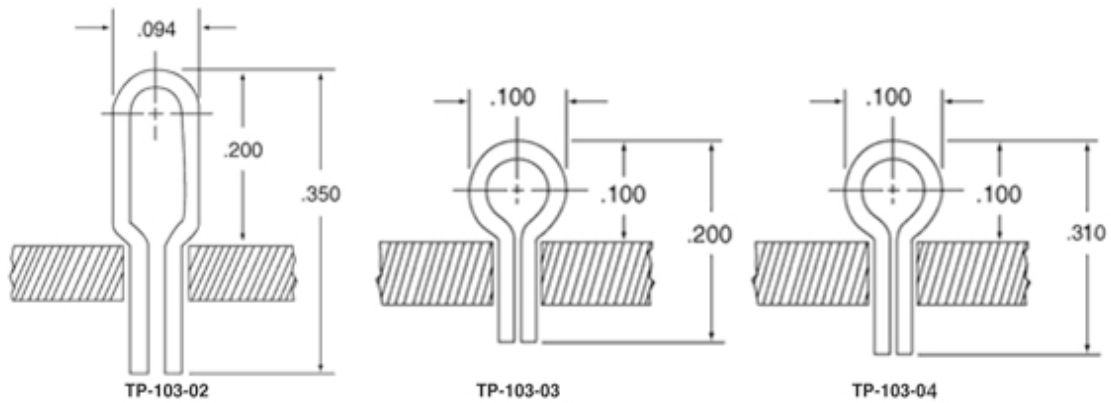
Electrical:

Maximum Current: 2.0 amperes

Special Notations:

A convenient, inexpensive hand tool (model #1020) is available to facilitate placement of TP-103 test points during assembly operations.

TP-103 Contacts



*Note: Leads flared to provide retention in the printed circuit board.

Part number TP-103-02 is suitable for the majority of standard board applications.
Specify part number TP103-03 for extremely low profile for surface mount compatibility.
Specify part number TP103-04 for longer leg length.

Ordering Information

Example:

TP-103 - 02 - T

● **Series Designation:**
TP-103

● **Loop Height:**
02 = .200"
03 = .100"
04 = .100"

● **Finish:**
Matte Tin over Nickel

Product Description

With the incorporation of the TP-103 series of printed circuit board mounted test points, significant improvement in function, profile and safety may be realized over the use of .025" square wire wrap posts, the unique loop profiles of these units insure a secure anchor for spring loaded test hooks and scope probes; above board heights are dramatically reduced and technicians need no longer fear puncture wounds when involved in circuit "Trouble Shooting."

Formed from a phosphor bronze alloy, TP-103 test points fit in the same hole diameters formerly occupied by wrap posts. No re-design costs are involved in the application of this product series.

Three part numbers are available in the TP-103 series: The TP-103-02-T offers a loop height of .200" and provides sufficient profile for most conventional printed circuit board designs. The TP-103-03-T is an ultra low profile version compatible with the component height dimensions of surface mount devices. The TP-103-04 has a longer length of .310".

Certificate of Compliance with Directive 2011/65/EU RoHS and EU Regulation EC 1907/2006

This is to certify that Components Corporation designs, manufactures and supplies products to our customers that are in compliance with Directive 2011/65/EU RoHS and EU Regulation EC 1907/2006, 84 SVH. This also pertains to procurement of raw material, component parts and processes.