

Alcoswitch

TE Internal #: 2267078-6

Toggle Switches, Single Pole - Double Throw Configuration (Pole-Throw), Gold, Gold, Baton Short, On Off On, .4A Contact Current Rating

[View on TE.com >](#)


Switches > Toggle Switches

Configuration (Pole-Throw): **Single Pole - Double Throw**Contact Base Material: **Gold**Switch Contact Plating Material: **Gold**Process Sealed: **No**Toggle Style: **Baton Short**

Features

Product Type Features

Switch Connection Type	Printed Circuit
Sealed Device	Yes
Toggle Style	Baton Short
Switch Type	Toggle

Configuration Features

Configuration (Pole-Throw)	Single Pole - Double Throw
Operating Function	On Off On

Electrical Characteristics

Contact Current Rating	.4 A
Operating Voltage	20 VDC

Body Features

Case Color	Red
Product Orientation	Right Angle
Bushing Style	Plain, Unthreaded

Contact Features

Contact Base Material	Gold
Switch Contact Plating Material	Gold

Termination Features



Termination Method to Printed Circuit Board	Through Hole - Solder
---	-----------------------

Mechanical Attachment

Product Mount Type	Panel & Printed Circuit Board
--------------------	-------------------------------

Housing Features

Process Sealed	No
----------------	----

Dimensions

Toggle Length	5.59 mm[.22 in]
---------------	-----------------

Industry Standards

UL Flammability Rating	UL 94V-0
------------------------	----------

Product Compliance

[For compliance documentation, visit the product page on TE.com>](#)

EU RoHS Directive 2011/65/EU	Compliant with Exemptions
------------------------------	---------------------------

EU ELV Directive 2000/53/EC	Not Yet Reviewed
-----------------------------	------------------

China RoHS 2 Directive MIIT Order No 32, 2016	Restricted Materials Above Threshold
---	--------------------------------------

EU REACH Regulation (EC) No. 1907/2006	<p>Current ECHA Candidate List: JUNE 2024 (241) Candidate List Declared Against: JUNE 2024 (241) SVHC > Threshold: Pb (4% in Component Part)</p> <p>Article Safe Usage Statements: Do not eat, drink or smoke when using this product. Wash thoroughly after handling. Recycle if possible and dispose of the article by following all applicable governmental regulations relevant to your geographic location.</p>
--	--

Halogen Content	Low Halogen - Br, Cl, F, I < 900 ppm per homogenous material. Also BFR/CFR/PVC Free
-----------------	---

Solder Process Capability	Wave solder capable to 260°C
---------------------------	------------------------------

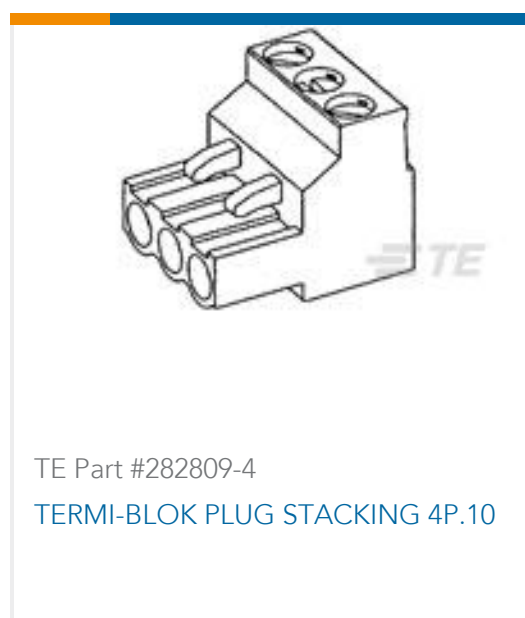
Product Compliance Disclaimer

This information is provided based on reasonable inquiry of our suppliers and represents our current actual knowledge based on the information they provided. This information is subject to change. The part numbers that TE has identified as EU RoHS compliant have a maximum concentration of 0.1% by weight in homogenous materials for lead, hexavalent chromium, mercury, PBB, PBDE, DBP, BBP, DEHP, DIBP, and 0.01% for cadmium, or qualify for an exemption to these limits as defined in the Annexes of Directive 2011/65/EU (RoHS2). Finished electrical and electronic equipment products will be CE marked as required by Directive 2011/65/EU. Components may not be CE marked. Additionally, the part numbers that TE has identified as EU ELV compliant have a maximum concentration of 0.1% by weight in homogenous materials for lead, hexavalent chromium, and mercury, and 0.01% for cadmium, or qualify for an exemption to these limits as defined in the Annexes of Directive 2000/53/EC (ELV). Regarding the REACH Regulation, the information TE provides on SVHC in articles for this part number is based on the latest European Chemicals Agency (ECHA) 'Guidance on requirements for substances in articles' posted at this URL: <https://echa.europa.eu/guidance-documents/guidance-on-reach>

Compatible Parts



Customers Also Bought



Documents

Product Drawings

[TMS3T5B2M6RE](#)

English

CAD Files

[Customer View Model](#)

[ENG_CVM_CVM_2267078-6_A1.3d_igs.zip](#)



English

Customer View Model

[ENG_CVM_CVM_2267078-6_A1.3d_stp.zip](#)

English

Customer View Model

[ENG_CVM_CVM_2267078-6_A1.2d_dxf.zip](#)

English

3D PDF

3D

By downloading the CAD file I accept and agree to the [Terms and Conditions](#) of use.

Datasheets & Catalog Pages

Subminiature Switches

English