



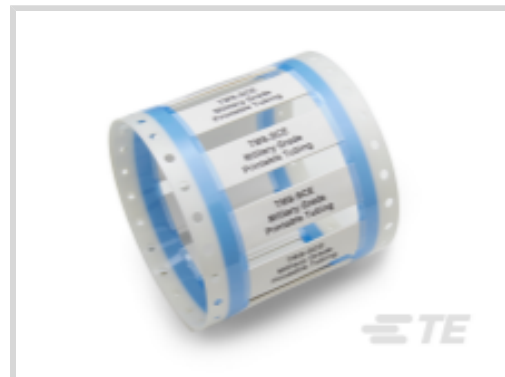
TMS-SCE-2X

TE Internal #: 837277-000

Printable Tubing, Ladder, Military, 2:1 Shrink Ratio, Yellow, Markers per Sleeve 1, Length 2 in [50 mm], TMS-SCE-2X

[View on TE.com >](#)

Identification & Labeling > Printable Tubing > Military Grade Sleeves TMS-SCE-2X



Printable Tubing Type: **Ladder**

Printable Tubing Grade: **Military**

Shrink Ratio: **2:1**

Primary Product Color: **Yellow**

Markers per Sleeve: **1**

[All Military Grade Sleeves TMS-SCE-2X \(32\)](#)

**Features**

**Product Type Features**

Printable Tubing Type	Ladder
Printable Tubing Grade	Military

**Body Features**

Shrink Ratio	2:1
Primary Product Color	Yellow
Markers per Sleeve	1

**Dimensions**

Product Length	50 mm[2 in]
Expanded Inside Diameter (Min)	12.7 mm[.5 in]
Recovered Inside Diameter (Max)	6.35 mm[.25 in]
Compatible Cable Diameter Range	4.6 – 10.7 mm[.183 – .425 in]

**Usage Conditions**

Operating Temperature Range	-55 – 135 °C[-67 – 275 °F]
-----------------------------	----------------------------

**Printer/Label Features**

Printer Technology	Thermal Transfer
--------------------	------------------

**Packaging Features**

--	--



Packaging Quantity	1000
--------------------	------

### Product Compliance

[For compliance documentation, visit the product page on TE.com>](#)

EU RoHS Directive 2011/65/EU	Compliant
EU ELV Directive 2000/53/EC	Compliant
China RoHS 2 Directive MIIT Order No 32, 2016	No Restricted Materials Above Threshold
EU REACH Regulation (EC) No. 1907/2006	Current ECHA Candidate List: JUNE 2024 (241) Candidate List Declared Against: JUNE 2024 (241) Does not contain REACH SVHC
Halogen Content	Not Low Halogen - contains Br or Cl > 900 ppm.
Solder Process Capability	Not applicable for solder process capability

#### Product Compliance Disclaimer

This information is provided based on reasonable inquiry of our suppliers and represents our current actual knowledge based on the information they provided. This information is subject to change. The part numbers that TE has identified as EU RoHS compliant have a maximum concentration of 0.1% by weight in homogenous materials for lead, hexavalent chromium, mercury, PBB, PBDE, DBP, BBP, DEHP, DIBP, and 0.01% for cadmium, or qualify for an exemption to these limits as defined in the Annexes of Directive 2011/65/EU (RoHS2). Finished electrical and electronic equipment products will be CE marked as required by Directive 2011/65/EU. Components may not be CE marked. Additionally, the part numbers that TE has identified as EU ELV compliant have a maximum concentration of 0.1% by weight in homogenous materials for lead, hexavalent chromium, and mercury, and 0.01% for cadmium, or qualify for an exemption to these limits as defined in the Annexes of Directive 2000/53/EC (ELV). Regarding the REACH Regulation, the information TE provides on SVHC in articles for this part number is based on the latest European Chemicals Agency (ECHA) 'Guidance on requirements for substances in articles' posted at this URL: <https://echa.europa.eu/guidance-documents/guidance-on-reach>

### Compatible Parts

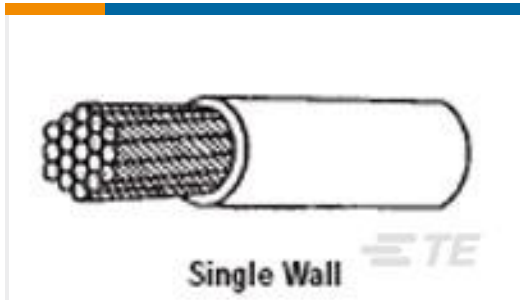
 <p>TE Part # 1-2186500-1 T3212-PRINTER</p>	 <p>TE Part # 1-2186502-1 T3224-PRINTER</p>	 <p>TE Part # 1-2186503-1 T3224-SWARE-PRINTER</p>	 <p>TE Part # 1-2186501-1 T3212-SWARE-PRINTER</p>
--	--	--	--

### Also in the Series | [TMS-SCE-2X](#)



Printable Tubing(32)

## Customers Also Bought

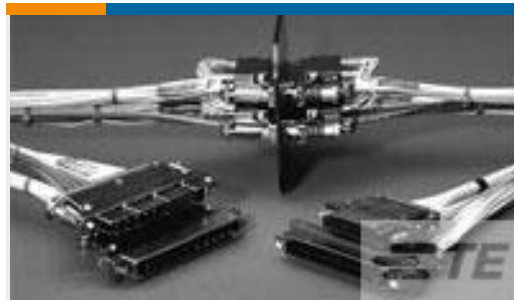


Single Wall

TE Part #011083-000  
82A0111-8-9



TE Part #42822-2  
250 FASTON TAB TPBR



TE Part #699692-000  
MTC100-JH1-P12



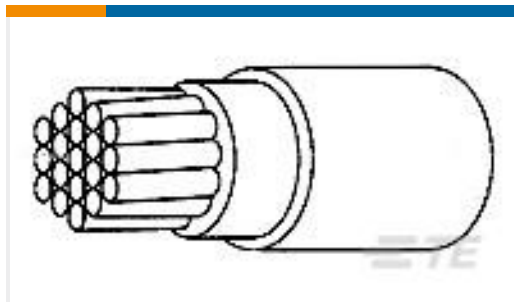
TE Part #F05938-000  
Military Grade Sleeves TMS-SCE-2X



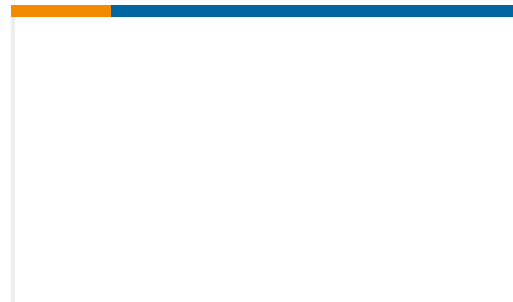
TE Part #0253350001  
TMS-SCE-1K-1-2-0-9



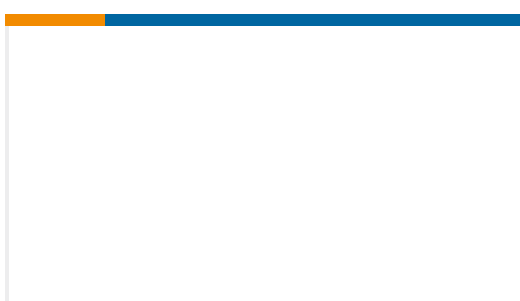
TE Part #0662-207-0882  
CONT SOC ASSY



TE Part #0160793001  
99M0111-22-2L



TE Part #YCTJ-3A-07C0160000  
RAIL ASSY



TE Part #Y460300-2-EB000000  
RSN07E TO FC/PC CABLE  
ASSEMBLY, EB

## Documents

### Product Drawings

[TMS-SCE-2X-1K-1/2-4](#)

English

### Datasheets & Catalog Pages

[IDENTIFICATION SELECTION GUIDE](#)

English

[TMS-SCE Heat Shrinkable Sleeves](#)

English



### Cable Identification Product Shelf Life

English

---

### Product Specifications

#### Product Specification

English

#### IDENTIFICATION PRINTER PRODUCT RIBBON MATRIX

English

---

### Instruction Sheets

#### Instruction Sheet (non U.S.)

English