

## Turbo

### TMC-V86-531-S



#### More Information

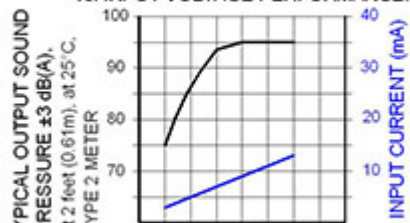
Continuous

 [Spec Sheet](#)

 [UL Recognized](#)

 [RoHS Compliant](#)

OUTPUT SOUND and CURRENT CONSUMPTION vs. INPUT VOLTAGE PERFORMANCE.



#### Specifications

Revision: 3.18

Turbo Medium Loud Continuous; Panel Mount with Volume Control Case and Quick Connect Blades with Screws Termination

<b>Mounting:</b>	Panel Mount with Volume Control
<b>Operating Mode:</b>	Medium Loud Continuous
<b>Operating Voltage:</b>	5-24 Vac/dc
<b>Operating Frequency:</b>	
<b>Typical Operating Current:</b>	2 mA at 5 Vac/dc 15 mA at 24 Vac/dc
<b>Typical Sound Pressure:</b>	75±5 dB(A), at 5 Vac/dc, at 24 inches (61 cm), at 25°C 95±5 dB(A), at 24 Vac/dc, at 24 inches (61 cm), at 25°C
<b>Termination:</b>	Quick Connect Blades with Screws
<b>Termination Strength:</b>	Pull test with a maximum of 22 pounds (10 kg) load
<b>Operating Temperature:</b>	-20_C to +65_C
<b>Storage Temperature:</b>	-40_C to +85_C
<b>Surge Voltage:</b>	20% over maximum rated voltage for less than 5 minutes
<b>Reverse Voltage Protection:</b>	To the maximum operating voltage
<b>Construction Materials:</b>	Internal Circuit- Audio-oscillator and piezoelectric driver Potting- 2 parts epoxy resin or silicone, black Diaphragm- Stainless Steel 304

#### Gasket:

**Environmental Durability:** ASTM B117 Certified - Withstands exposure to salt spray for 300 hours  
IP 68 Certified - Withstands water submergence and dust exposure  
Humidity- 95% relative humidity at +40\_C continuously for 100 hours.  
Vibration- Withstands vibration between 0 and 55 Hz. on all axes.

#### Life Expectancy:

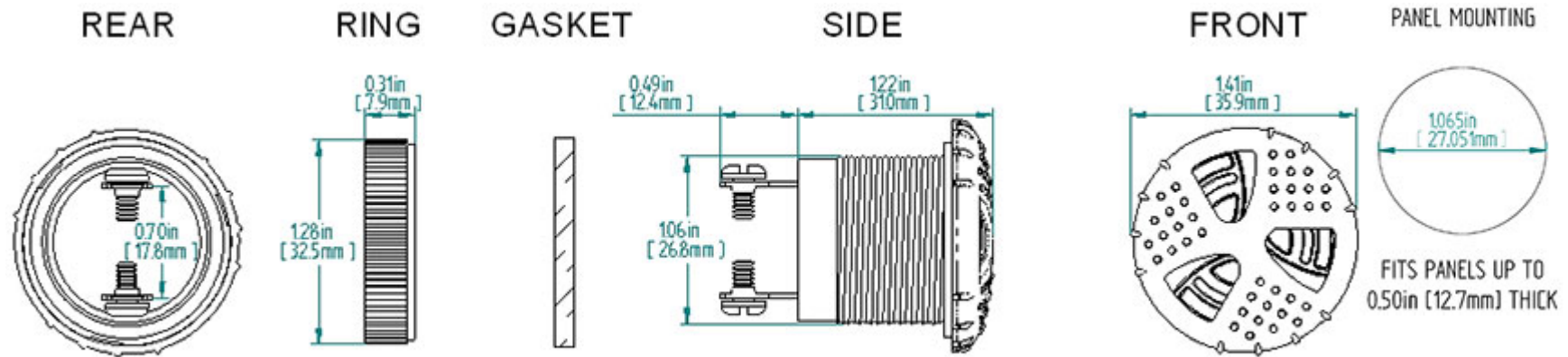
10 years under normal operating conditions.

#### Warranty:

For a period of two years from the date of manufacture under normal operating conditions.

#### [View Terms and Conditions of Sale](#)

Dimensions



TOLERANCES ARE ±0.03in (±0.76mm) UNLESS OTHERWISE SPECIFIED

"S" TERMINALS

