



### Main

Range of product	Modicon M238 logic controller
Product or component type	Analog output module
Analogue output number	2
Analogue output type	Voltage +/- 10 V

### Complementary

Range compatibility	Twido Advantys OTB
Analogue output resolution	11 bits + sign
LSB value	+/- 9.8 mV voltage
Load type	Resistive
Load impedance ohmic	<= 3000 Ohm voltage
Stabilisation time	2 ms
Conversion time	2 ms + 1 controller cycle time
Measurement error	+/- 0.5 % of full scale 25 °C
Temperature coefficient	+/-0.01 %FS/°C
Repeat accuracy	+/-0.1 %FS
Non-linearity	+/- 0.2 %FS
Output ripple	<= 1 LSB
Total error	+/-1 %FS
Type of cable	Twisted shielded cable
Insulation between channel and internal logic	Photocoupler
Supply	External supply
[Us] rated supply voltage	24 V DC
Supply voltage limits	19.2...30 V
Electrical connection	1 removable screw terminal block
Current consumption	60 mA 24 V DC external

	60 mA 5 V DC internal
Product weight	0.085 kg

## Environment

Dielectric strength	2500 V between the I/O and internal logic
Width	23.5 mm
Depth	70 mm
Height	90 mm

## Offer Sustainability

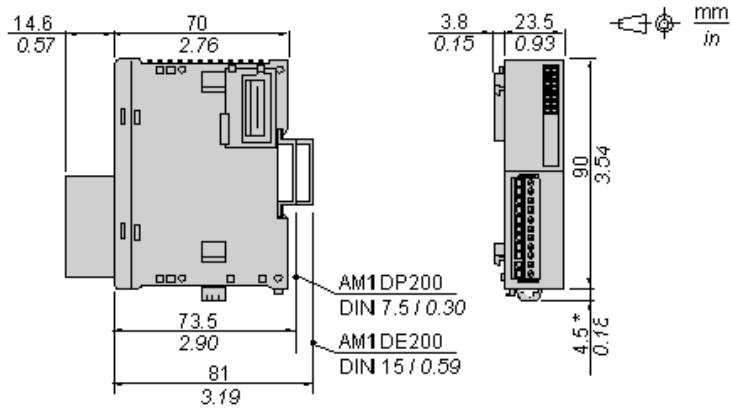
Sustainable offer status	Green Premium product
RoHS (date code: YYWW)	Compliant - since 1039 - Schneider Electric declaration of conformity <a href="#">Schneider Electric declaration of conformity</a>
REACH	Reference not containing SVHC above the threshold <a href="#">Reference not containing SVHC above the threshold</a>
Product environmental profile	Available <a href="#">Product environmental</a>
Product end of life instructions	Available <a href="#">End of life manual</a>

## Contractual warranty

Warranty period	18 months
-----------------	-----------

Analog Output Module (2-channel, Voltage)

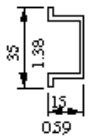
Dimensions



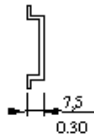
NOTE: \* 8.5 mm (0.33 in) when the clip-on lock is pulled out.

DIN Rail Mounting

AM1DE200  
IEC/EN 60715



AM1DP200



AM1ED200



DZ5MB200



Rail depth	Catalogue part number
15 mm (0.59 in.)	AM1DE200
7,5 mm (0.30 in.)	AM1DP200

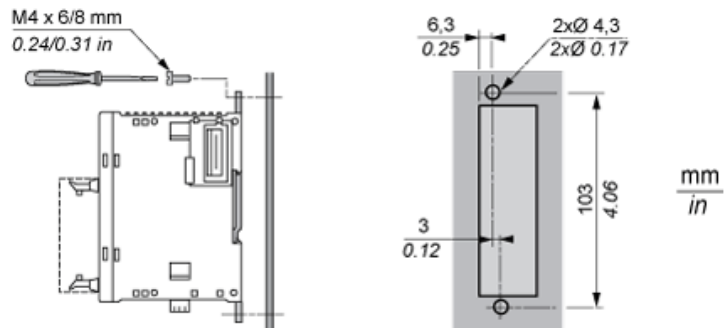
NOTE: Do not use AM1ED200 and DZ5MB200

---

Module Mounting on a Panel Surface

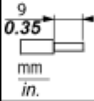

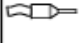
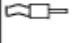


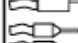
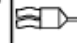
---

Mounting Hole Layout



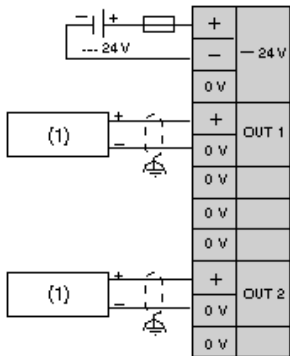
Wiring Requirements

Cable Types and Wire Sizes for Removable Screw Terminal Block

							
mm <sup>2</sup>	0,14...1,5	0,25...0,5	0,25...1,5	0,14...0,5	0,14...0,75	0,25...0,34	0,5
AWG	26...16	24...20	24...16	26...20	26...18	24...22	20

## Analog Output Module (2-channel, Voltage)

### Wiring Diagram



(1) Voltage/current preactuator