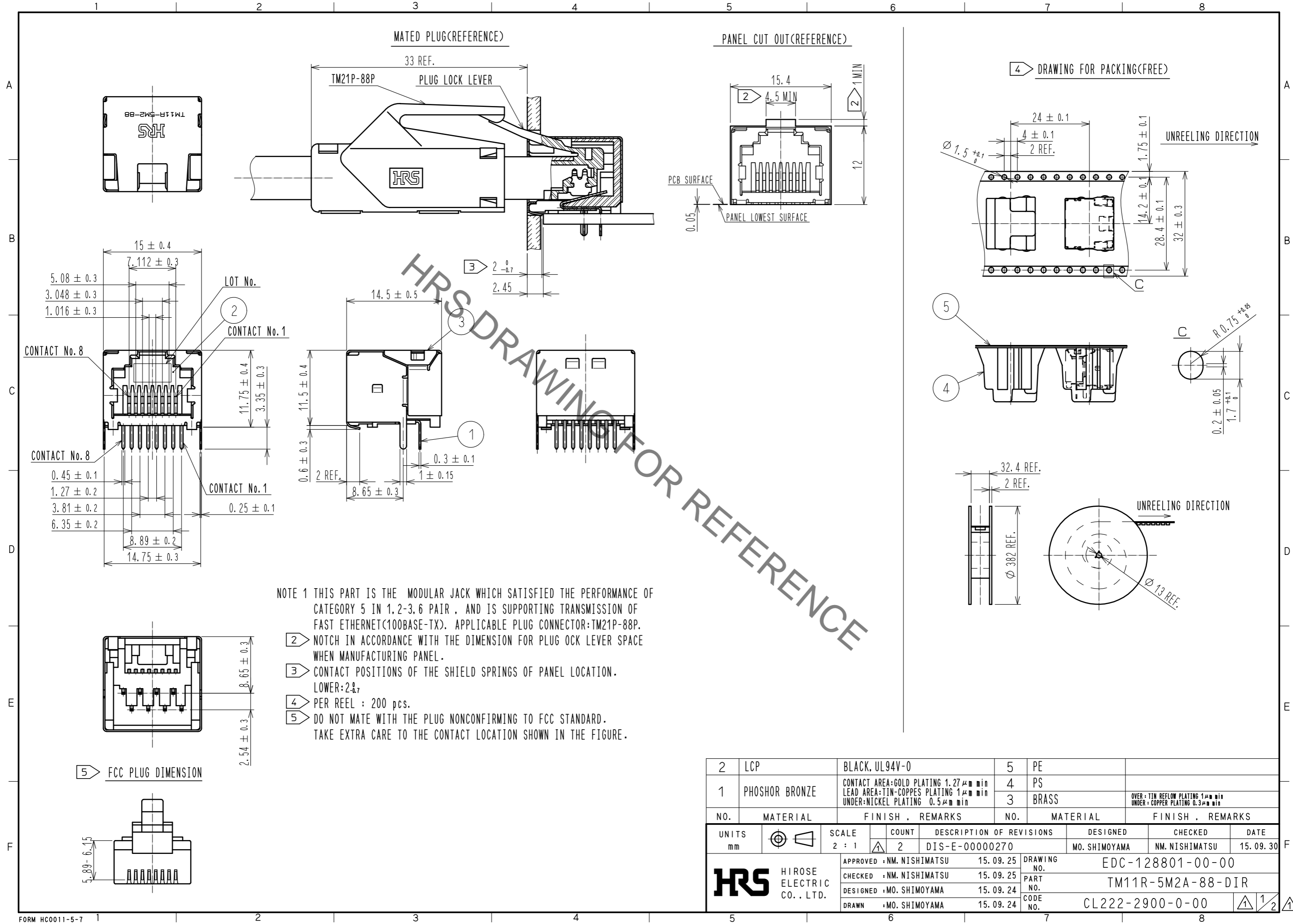
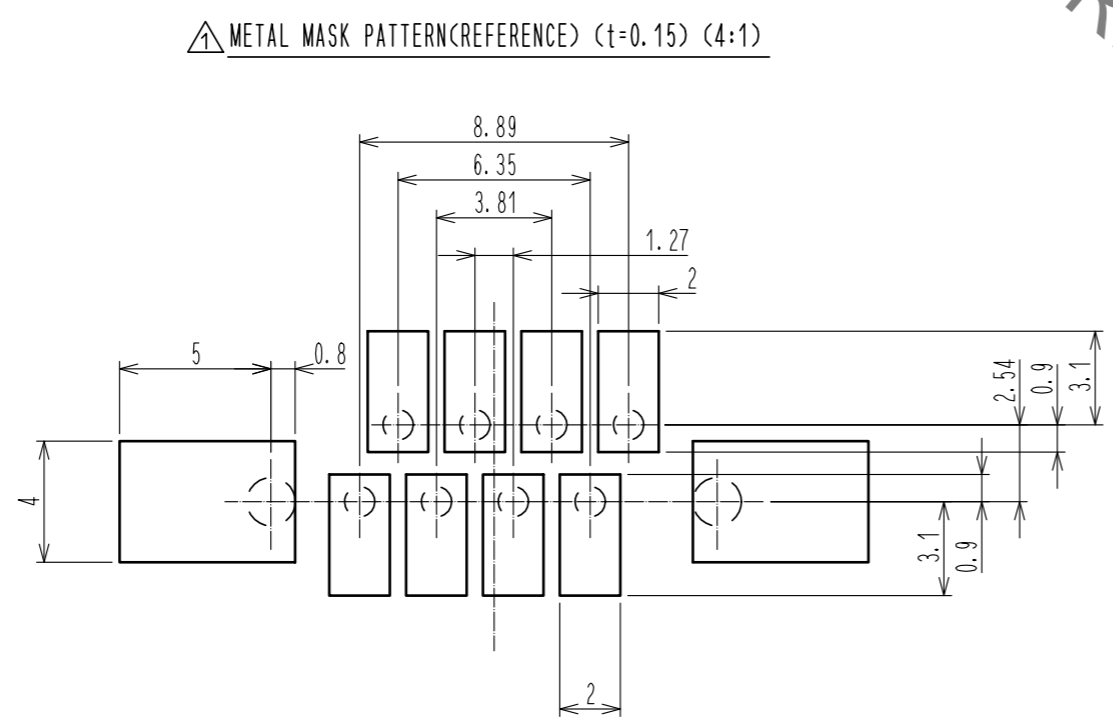
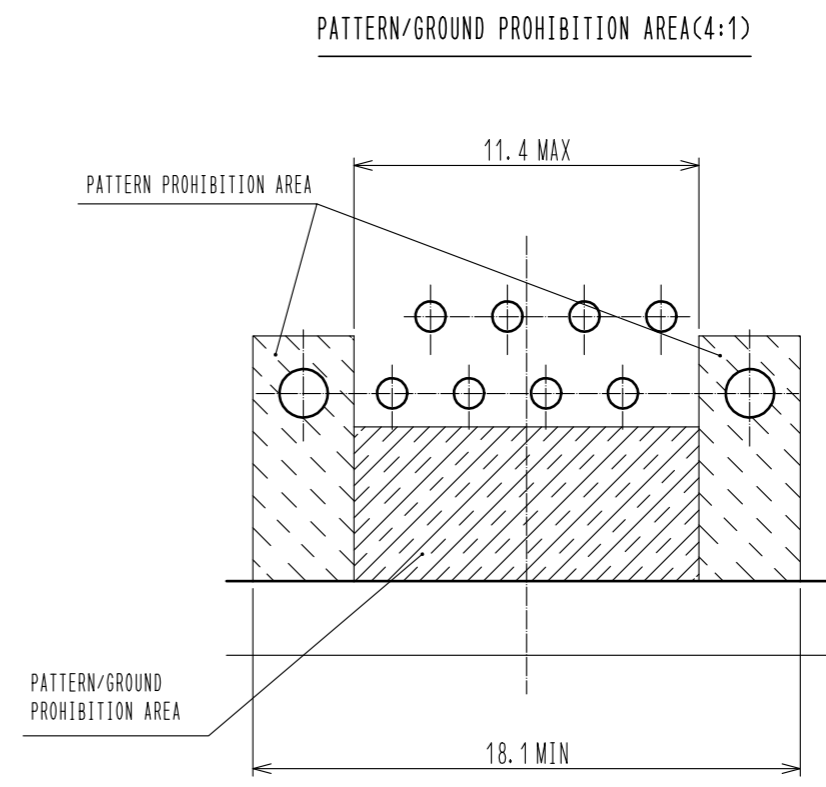
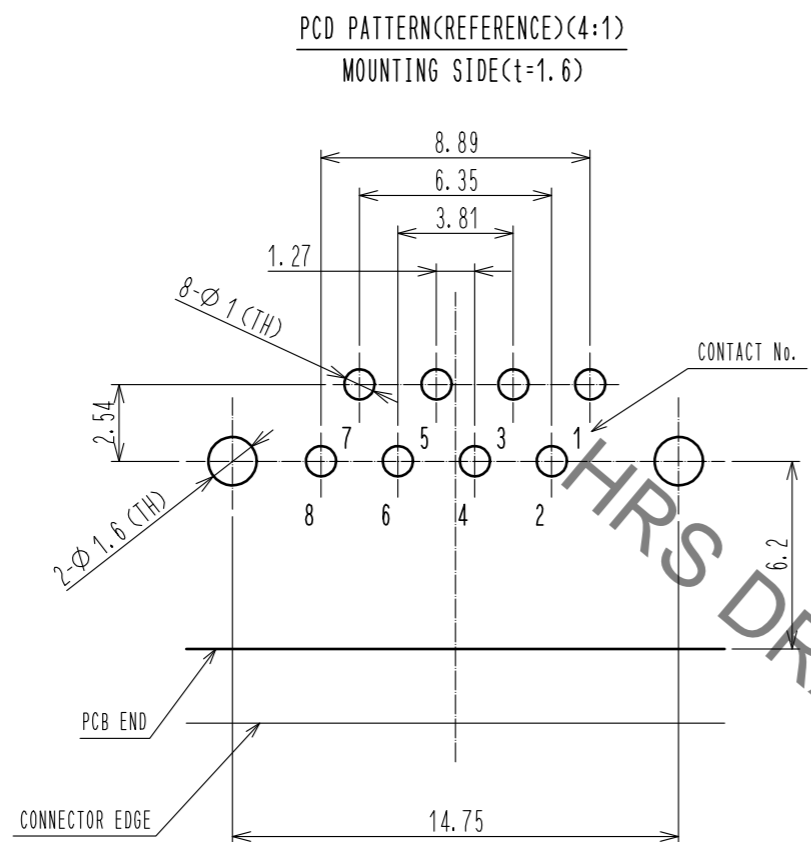


Feb.1.2020 Copyright 2020 HIROSE ELECTRIC CO., LTD. All Rights Reserved.
In case of consideration for using Automotive equipment / device which demand high reliability, kindly contact our sales window correspondents.



2	LCP	BLACK, UL94V-0	5	PE	
1	PHOSHOR BRONZE	CONTACT AREA:GOLD PLATING 1.27µm min LEAD AREA:TIN-COPPER PLATING 1µm min UNDER:NICKEL PLATING 0.5µm min	4	PS	
			3	BRASS	OVER:TIN REFLOW PLATING 1µm min UNDER:COPPER PLATING 0.3µm min
NO.	MATERIAL	FINISH . REMARKS	NO.	MATERIAL	FINISH . REMARKS
UNITS mm		SCALE 2 : 1	COUNT 2	DESCRIPTION OF REVISIONS DIS-E-00000270	DESIGNED MO. SHIMOYAMA
					CHECKED NM. NISHIMATSU
					DATE 15.09.30
APPROVED : NM. NISHIMATSU 15.09.25			DRAWING NO. EDC-128801-00-00		
CHECKED : NM. NISHIMATSU 15.09.25			PART NO. TM11R-5M2A-88-DIR		
DESIGNED : MO. SHIMOYAMA 15.09.24			CODE NO. CL222-2900-0-00		
DRAWN : MO. SHIMOYAMA 15.09.24					

Feb.1.2020 Copyright 2020 HIROSE ELECTRIC CO., LTD. All Rights Reserved.
In case of consideration for using Automotive equipment / device which demand high reliability, kindly contact our sales window correspondents.



HRS	DRAWING NO.	EDC-128801-00-00
	PART NO.	TM11R-5M2A-88-DIR
	CODE NO.	CL222-2900-0-00
		\triangle 2/2