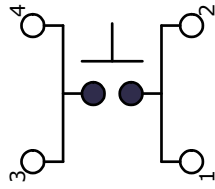


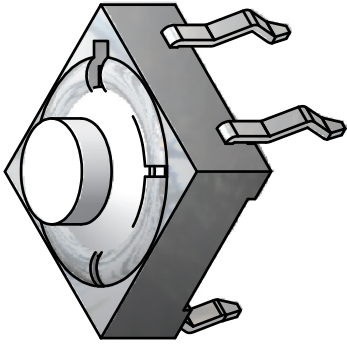
P.C. MOUNTING



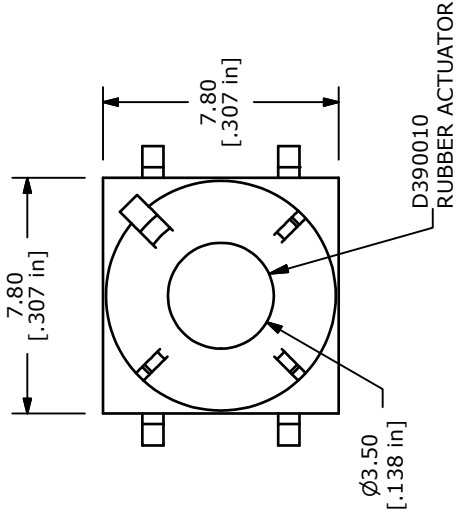
CIRCUIT: SPST

NOTES:

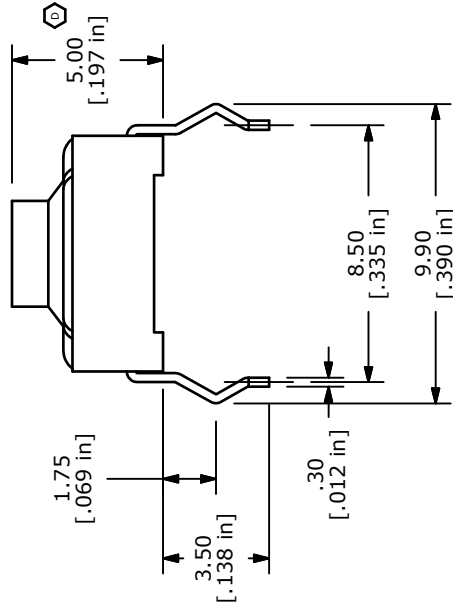
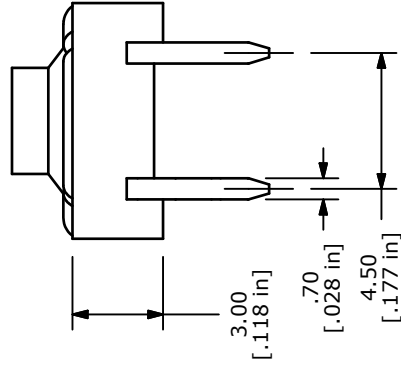
1. ALL DIMENSIONS IN MM
2. GENERAL TOLERANCE: X.X=±0.4
X.XX=±0.25
3. TERM. NOS. FOR REFERENCE ONLY.
4. RATING: 12VDC, 50mA
5. OPERATING FORCE: 120 ±50 gms
6. TRAVEL: 1.0mm ±0.2
7. CONTACT RESISTANCE: 1K OHMS MAX.
8. MECHANICAL/ELECTRICAL LIFE 100,000 CYCLES MIN.
9. STATIONARY CONTACTS: SILVER PLATE
10. PACKAGE: BULK
11. ▲ DENOTES CRITICAL PARAMETER



ISOMETRIC



D390010 RUBBER ACTUATOR



E	19533	DIM was 1.2 & TRAVEL TOL. was .1	12/16/10	BGL
D	18238	Dim was 5.28	9/8/08	rc
C	18208	dwg title was TL9000F120QG	8/12/08	rc
B	15735	ADD RUBBER ACTUATOR NOTE	2/6/06	PH
A	14767	RELEASED FOR PRODUCTION	3/15/05	AR
REV	PCR NO	DESCRIPTION	DATE	BY
THE INFORMATION CONTAINED IN THIS DOCUMENT IS PROPRIETARY TO E-SWITCH AND IS NOT TO BE COPIED OR TRANSFERRED				



TITLE TL9000F120Q

SCALE 4:1

DATE 3/15/2005

DR AR

DWG D390000

REV E