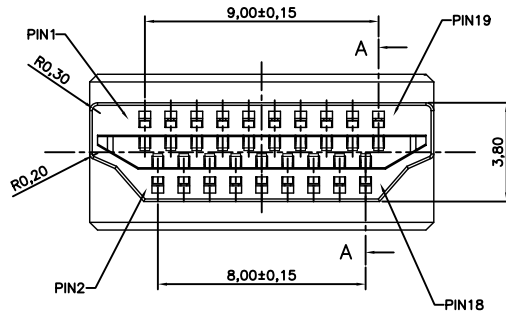
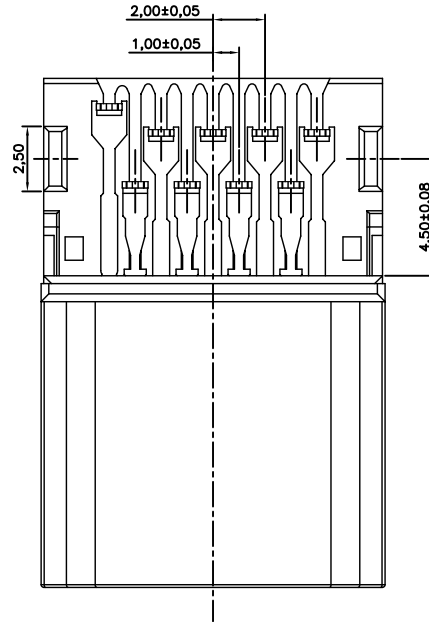
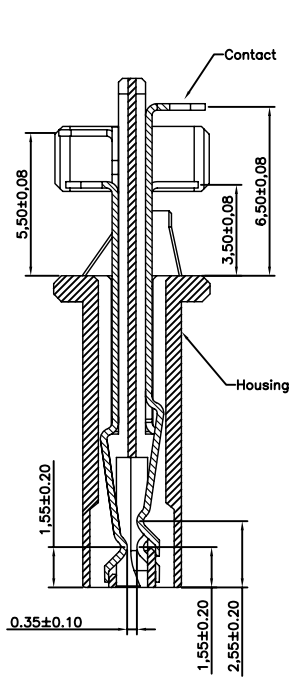
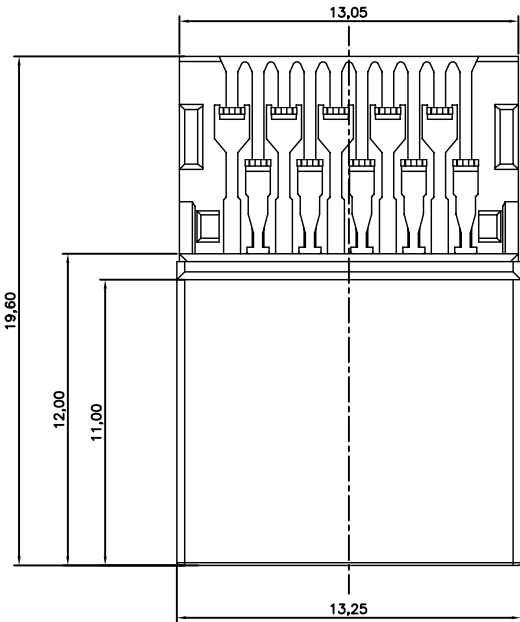
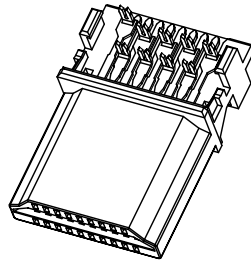
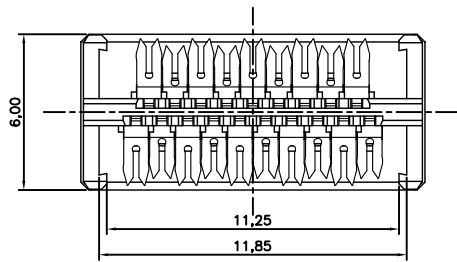


REV.	ZONE	LTR	DESCRIPTION	DATE	REVISOR	APPD
2.0	C7	△	MODIFY ORDERING INFORMATION	6/25'08	ZWZ	



Section:A-A

RoHS Compliant



ORDERING INFORMATION:

51 D 019 P - 3 \* \* 1 - \* \* \* 1  
 (1) (2) (3) (4) (5) (6) (7) (8) (9)(10)(11)(12)

- (1) SERIES NO: 51: HDMI SERIES
- (2) TAIL CONSTRUCTION TYPE: D: IDC TYPE
- (3) NO OF POSITION: 019: 19 POSITIONS
- (4) CONTACT&CONNECTING TYPE: P: PLUG S: SOCKET
- (5) HOUSING COLOR CODES: 3: BLACK
- (6) PLATING OF CONTACT: 0: GOLD FLASH OVER NICKEL 2: 15u"HALF GOLD OVER NICKEL 3: 30u"HALF GOLD OVER NICKEL
- (7) PLATING OF SHELL: N: UP AND DOWN SHELL ALL NICKEL PLATNG 4: UP SHELL NICKEL PLATING AND DOWN SHELL GOLD FLASH PLATING
- (8) SHELL CONSTRUCTION TYPE: 1: ASSEMBLY TYPE UP AND DOWN SHELL
- (9) CABLE NO TYPE: 1: 30 AWG 2: 28 AWG
- △(10) SHELL MATERIALS TYPE: A: UP AND DOWN SHELL ARE ALL SPCC-SD B: UP SHELL MATERIAL SPCC-SD,DOWN SHELL MATERIAL BRASS
- (11) SUFFIX NO1: 1: HOUSING WITH LOGO 2: HOUSING WITHOUT LOGO
- (12) SUFFIX NO2: 1: PVC TRAY PACKING

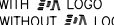

NOTE:

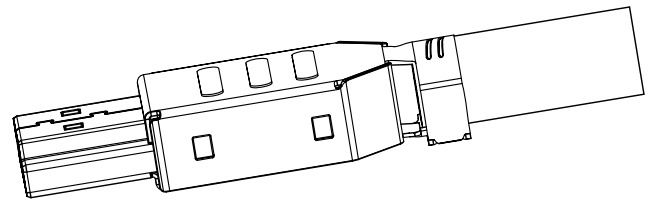
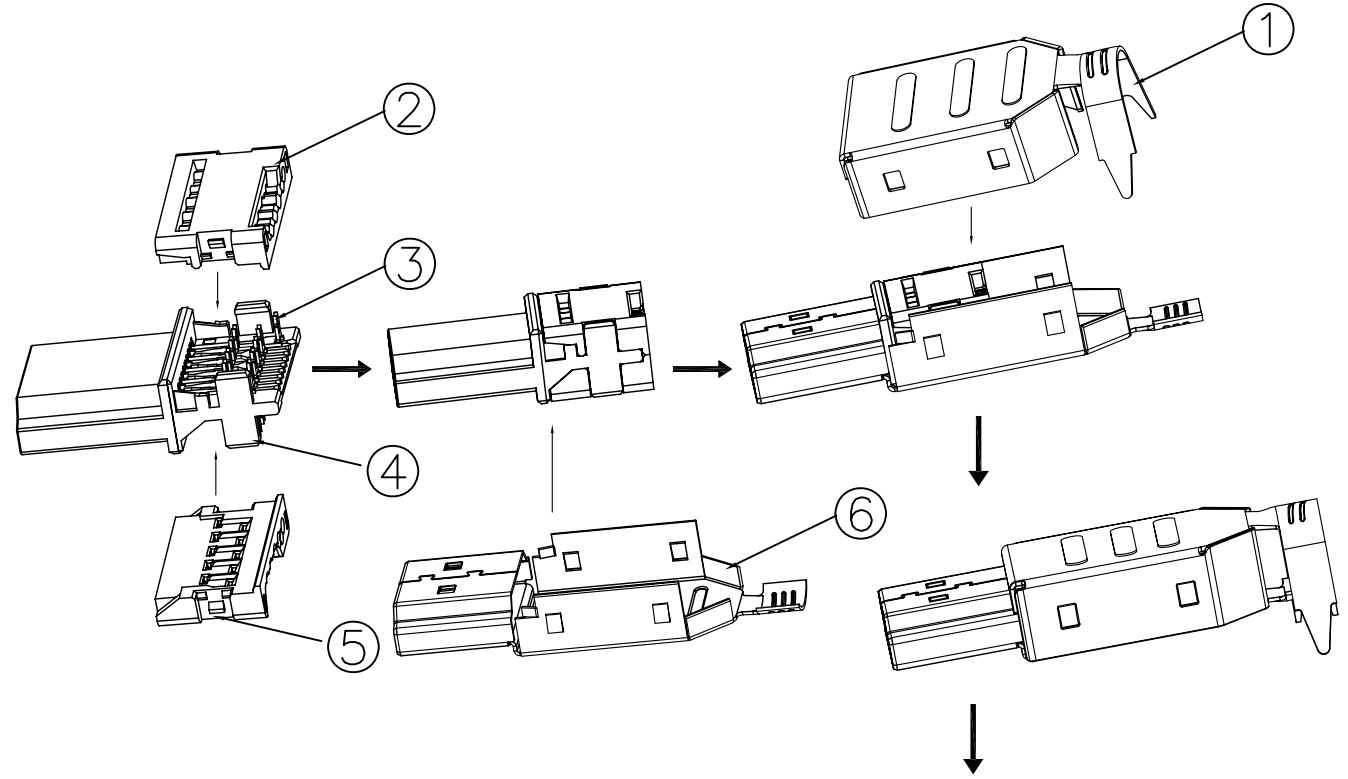
- 1. MECHANICAL :
  - 1.1 INSERTION FORCE :44.1N MAX
  - 1.2 WITHDRAWAL FORCE :9.8 N MIN.
- 2. ELECTRICAL :
  - 2.1 CONTACT CURRENT RATING: 0.5A MIN.
  - 2.2 VOLTAGE RATING :40V AC (RMS)
  - 2.3 WITHSTANDING VOLTAGE: 500 VAC FOR 1 MINUTE.
  - 2.4 INSULATION RESISTANCE: 100 MEGAOHMS MIN.
  - 2.5 CONTACT RESISTANCE: 30 MILLIOHMS MAX.
- 3 ENVIRONMENTAL :
  - 3.1 OPERATING TEMPERATURE:-25° C TO +85° C
  - 4. NO.18 CONTACT IS LOWER PIN,SHOWN AS SECTION A-A.

MATERIAL	TOLERANCE UNSPECIFIED	FREEPORT SCALE 2:1 UNIT MM	SHEET 1/2
	.000 ±		
	.00 ± 0.20		
	.0 ± 0.30		
FINISH	ANGLE ± 1°	NAME HDMI A TYPE PLUG I.D.C. DRAWING NO. R-S151D-1 REV. 2.0	REV. 2.0
	DRAWN ZWZ 6/25'08		
	DESIGNER ZWZ		
	CHECKED		
APPROVED			

REV.	ZONE	LTR	DESCRIPTION	DATE	REVISOR	APPD
2.0	C7	△	MODIFY ORDERING INFORMATION	6/25'08	ZWZ	


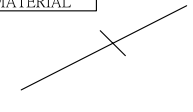
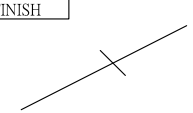
ORDERING INFORMATION:  
51 D 019 P - 3 \* 1 - \* \* 1  
 (1) (2) (3) (4) (5) (6) (7) (8) (9)(10)(11)(12)

- (1) SERIES NO:  
51: HDMI SERIES  
 (2) TAIL CONSTRUCTION TYPE:  
D: IDC TYPE  
 (3) NO OF POSITION:  
019: 19 POSITIONS  
 (4) CONTACT&CONNECTING TYPE:  
P: PLUG  
S: SOCKET  
 (5) HOUSING COLOR CODES:  
3: BLACK  
 (6) PLATING OF CONTACT:  
0: GOLD FLASH OVER NICKEL  
2: 15u"HALF GOLD OVER NICKEL  
3: 30u"HALF GOLD OVER NICKEL  
 (7) PLATING OF SHELL:  
N: UP AND DOWN SHELL ALL NICKEL PLATING  
4: UP SHELL NICKEL PLATING AND DOWN SHELL GOLD FLASH PLATING  
 (8) SHELL CONSTRUCTION TYPE:  
1: ASSEMBLY TYPE UP AND DOWN SHELL  
 (9) CABLE NO TYPE:  
1: 30 AWG  
2: 28 AWG  
 △ (10) SHELL MATERIALS TYPE:  
A: UP AND DOWN SHELL ARE ALL SPCC-SD  
B: UP SHELL MATERIAL SPCC-SD,DOWN SHELL MATERIAL BRASS  
 (11) SUFFIX NO1:  
1: HOUSING WITH  LOGO  
2: HOUSING WITHOUT  LOGO  
 (12) SUFFIX NO2:  
1: PVC TRAY PACKING
- NOTE:  
 1. MECHANICAL :  
1.1 INSERTION FORCE :44.1N MAX  
1.2 WITHDRAWAL FORCE :9.8 N MIN.  
 2 ELECTRICAL :  
2.1 CONTACT CURRENT RATING: 0.5A MIN.  
2.2 VOLTAGE RATING :40V AC (RMS)  
2.3 WITHSTANDING VOLTAGE: 500 VAC FOR 1 MINUTE.  
2.4 INSULATION RESISTANCE: 100 MEGAOHMS MIN.  
2.5 CONTACT RESISTANCE: 30 MILLIOHMS MAX.  
 3 ENVIRONMENTAL :  
3.1 OPERATING TEMPERATURE:-25° C TO +85° C  
 4. NO.18 CONTACT IS LOWER PIN,SHOWN AS SECTION A-A.



RoHS Compliant

ITEM	PART NAME	Q'TY/PCS	MATERIAL	NOTE
⑥	down shell	1	Copper Alloy or SPCC	GOLD FLASH PLATING
⑤	down cover	1	PA46	UL94V-0
④	housing	1	LCP	UL94V-0
③	contact	19	Copper Alloy	GOLD 15u" or GOLD 30u"
②	up cover	1	PA46	UL94V-0
①	up shell	1	SPCC	GOLD FLASH PLATING

MATERIAL		TOLERANCE UNSPECIFIED		 <b>FREEPORT</b>	
		.000 ± .00 ± 0.20 .0 ± 0.30 . ± ANGLE ± 1°			
FINISH		DRAWN ZWZ 6/25'08		SCALE 2:1 UNIT MM	
		DESIGNER ZWZ		NAME HDMI A TYPE PLUG I.D.C TYPE ASSEMBLY	
		CHECKED		SHEET 2/2	
		APPROVED		DRAWING NO. R-S151D-1 REV. 2.0	

