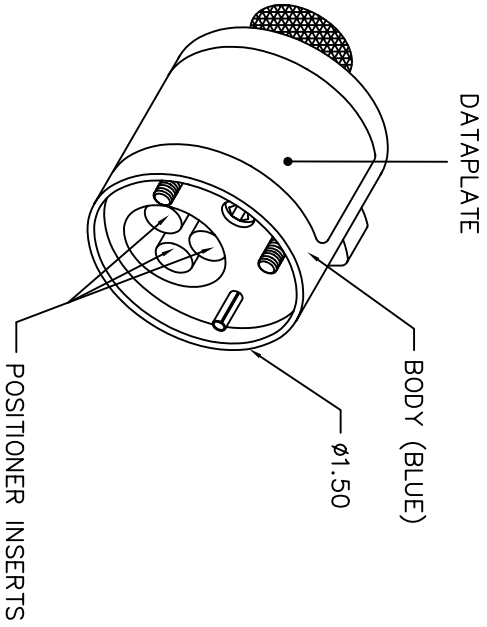


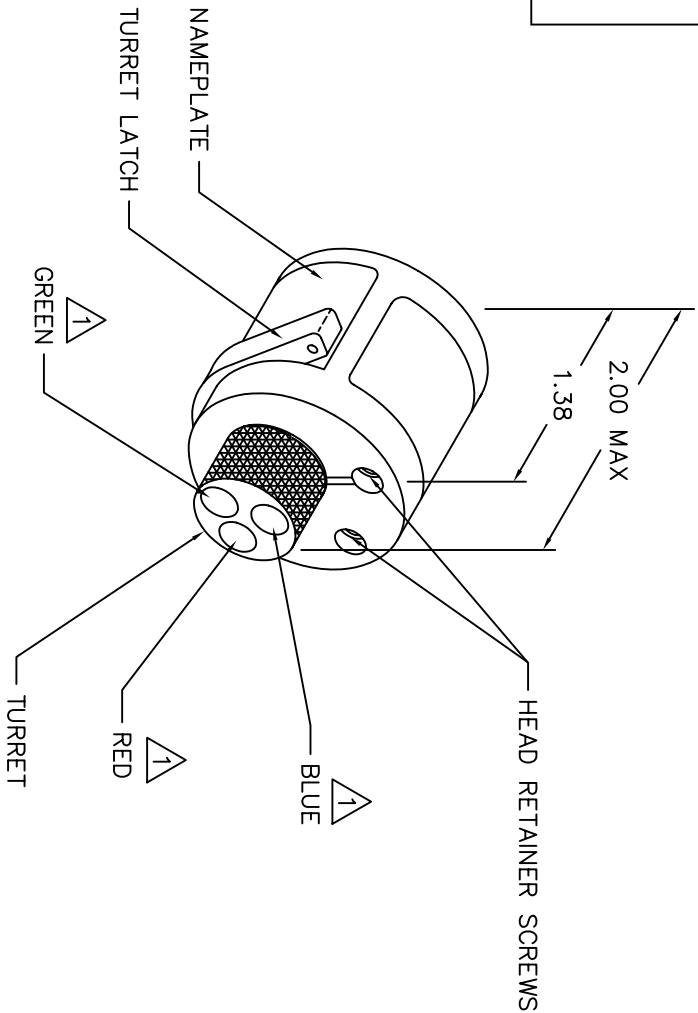
ITT Cannon order number: TH452

CONTACT SIZE	CONTACTS	COLOR CODE	18	16	14	12	WIRE SIZE
12/P	030-8588-XXX	RED			7	8	SELECTOR NUMBER
16/S	031-8639-120						
12/S	031-8557-XXX						
16/S	031-8556-XXX		5	6			
16S/P	030-8586-XXX	BLUE					
16S/P	330-8744-000			5	6		
16/P	030-8587-XXX	GREEN					
16S/S	031-8555-XXX						
16/P	031-8688-110			5	6		
16/P	330-8659-000						



POSITIONER COLOR	HOLE DIMENSIONS	ADDITIONAL FEATURES
RED	φ.199 ±.965	
BLUE	φ.136 ±.570	
GREEN	φ.070 ±.726	□ φ.136 ±.645

HOLE AND COUNTERBORE DEPTHS ARE MEASURED FROM TOP OF POSITIONER INSERTS.



1 RANDOM ORDER OF ROTATION IS ACCEPTABLE.

REVISIONS			
REV. STYL.	E.C.O. NUMBER	DESCRIPTION	BY DATE
2	15214	ADDED CONTACT P/N'S	AAM 8-8-96

**UNCONTROLLED DOCUMENT
WILL NOT BE UPDATED**

RESTRICTED & CONFIDENTIAL		CONFIDENTIAL PROPERTY OF DANIELS MANUFACTURING CORP. NOT TO BE DISCLOSED TO OTHERS, REPRODUCED OR USED FOR ANY OTHER PURPOSE, EXCEPT AS AUTHORIZED IN WRITING BY DANIELS MANUFACTURING CORP. ON COMPLETION OF ORDER OR OTHER PURPOSE FOR WHICH INT.	
ITEM	PART NO.	QTY.	DESCRIPTION/REMARKS
DRN.	2-36-86		DANIELS MANUFACTURING CORP. ORLANDO, FLORIDA CAGE 11851
CHK'D.	BY DATE		
APP'D.	AAM 1-2-86		
NOTE: THIS DRAWING IS AN OUTLINE DRAWING. PART NUMBER INDICATED IS ACTUAL DMC PART NUMBER WITHOUT THE "-ENV" SUFFIX.			
DO NOT SCALE DRAWING		WHERE USED:	AFB
TITLE		SCALE	CAD P/N
ENVELOPE DRAWING		NTS	TH452-ENV
TURRET HEAD		POSTING	TH452-ENV
SHEET 1 OF 1		REV.	2