

# TCT Series

## Chip Tantalum Capacitors (Large Capacitance)



### FEATURES

- Ta-MnO<sub>2</sub> technology
- Low DCL
- High CV
- Parameters stability over voltage and time
- Undertab LF

### APPLICATIONS

- For high component density PCB design
- DC/DC
- Industrial
- Telecom
- IoT
- Home applications
- Sensors

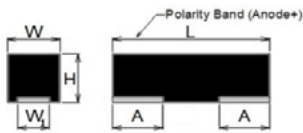
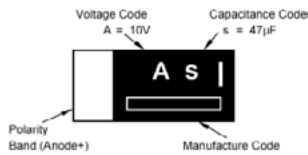


LEAD-FREE  
LEAD-FREE COMPATIBLE  
COMPONENT



RoHS  
COMPLIANT

### MARKING



### CASE DIMENSIONS:

millimeters (inches)

Code	EIA Code	EIA Metric	L±0.20 (0.008)	W±0.20 (0.008)	H±0.10 (0.004)	W <sub>1</sub> ±0.20 (0.008)	A±0.20 (0.008)
AL	1206	3216-12	3.20 (0.126)	1.60 (0.063)	1.10 (0.043)	1.20 (0.047)	0.80 (0.031)
AS	1206	3216-10	3.20 (0.126)	1.60 (0.063)	0.90 (0.035)	1.20 (0.047)	0.80 (0.031)
P	0805	2012-12	2.00 (0.079)	1.25 (0.049)	1.20 (0.047) max.	0.85 (0.033)	0.50 (0.020)
PL	0805	2012-10	2.00 (0.079)	1.25 (0.049)	0.90 (0.035)	0.85 (0.033)	0.50 (0.020)
U	0602	1005-055	1.00+0.20-0.00 (0.039+0.008-0.000)	0.50+0.20-0.00 (0.020+0.008-0.000)	0.55 (0.022) max.	0.35±0.10 (0.014±0.004)	0.35±0.10 (0.014±0.004)

### HOW TO ORDER

**TCT**

Type

**U** □

Case Size  
See table  
above

**0G**

Rated DC Voltage  
0E = 2.5Vdc  
0G = 4Vdc  
0J = 6.3Vdc  
1A = 10Vdc  
1C = 16Vdc  
1D = 20Vdc  
1E = 25Vdc  
1V = 35Vdc

**475**

Capacitance Code  
pF code: 1st two digits  
represent significant figures,  
3rd digit represents multiplier  
(number of zeros to follow)

**M**

Tolerance  
M = ±20%

**8R**

Packaging  
8 = Tape width  
R = Positive electrode  
on the side opposite to  
sprocket hole

- □□□

Discrimination code

### TECHNICAL SPECIFICATIONS

Technical Data:	All technical data relate to an ambient temperature of +25°C
Capacitance Range:	0.33µF to 220µF
Capacitance Tolerance:	±20%
Leakage Current DCL:	Please see the ratings and part number reference table below
Temperature Range:	-55°C to +125°C

Note: Conductive Polymer Capacitors are designed to operate within the limits of the environmental conditions specified for each series. If operated continuously at their maximum temperature and / or humidity limit, or beyond these limits, capacitors may exhibit a parametric shift in capacitance and increases in ESR. These changes may occur earlier if the specified environmental conditions are exceeded. Similarly, their normal operational time period will be significantly extended if their general duty cycle includes operation below maximum temperature within humidity controlled environments. Careful attention should be paid to maximum temperature with associated high humidity environments as well as voltage derating, ripple current and current surges.

Please reference the KYOCERA AVX Conductive Polymer Capacitor Guidelines for more information or contact factory for application assistance.

# TCT Series

## Chip Tantalum Capacitors (Large Capacitance)

### CAPACITANCE AND RATED VOLTAGE RANGE (LETTER DENOTES CASE SIZE)

Capacitance		Rated Voltage DC (V <sub>R</sub> ) @ 85°C								Cap Code
μF	Code	2.5V(e)	4V (g)	6.3V (j)	10V (A)	16V (C)	20V(D)	25V(E)	35(V)	
0.33	334						U			N
0.47	474			U						S
1.0	105			U					AS	A
2.2	225			U				P		J
3.3	335								AL	N
4.7	475		U	U				AL		S
10	106					P,PL	AL			a
15	156	U								e
22	226				P,PL	AL	AL			j
33	336				P	AL				n
47	476		P	AS,P,PL	AL,AS,P					s
100	107		P,PL	AL,AS	AL					ā
150	157			AL						ē
220	227		AL,AS	AL						j

Released ratings

Note: Voltage ratings are minimum values. KYOCERA AVX reserves the right to supply higher voltage ratings in the same case size, to the same reliability standards.

### RATINGS & PART NUMBER REFERENCE

Part No.	Case Size	Capacitance (μF)	Rated Voltage (V)	Maximum Operating Temp. (°C)	DCL Max. (μA)	DF Max. (%)	Impedance @100kHz (Ω)	MSL
<b>2.5 Volt</b>								
TCTU0E156M8R-V1	U	15	2.5	125	7.5	50	25	2
<b>4 Volt</b>								
TCTU0G475M8R	U	4.7	4	125	1.9	20	20	2
TCTP0G476M8R	P	47	4	125	1.9	20	4	1
TCTP0G107M8R-EV1	P	100	4	125	20.0	30	4	1
TCTPLOG107M8R-V1	PL	100	4	125	20.0	30	4	1
TCTALOG227M8R-D	AL	220	4	125	20.0	20	2.5	1
TCTASOG227M8R-V1	AS	220	4	125	88.0	30	2.5	2
<b>6.3 Volt</b>								
TCTU0J474K8R	U	0.47	6.3	125	0.5	20	35	2
TCTU0J105K8R	U	1	6.3	125	0.7	20	20	2
TCTU0J225M8R	U	2.2	6.3	125	1.4	20	20	2
TCTU0J475M8R-02	U	4.7	6.3	125	3.0	50	25	2
TCTASOJ476M8R	AS	47	6.3	125	6.0	20	4	1
TCTPOJ476M8R	P	47	6.3	125	14.8	30	4	1
TCTPLOJ476M8R	PL	47	6.3	125	14.8	30	4	1
TCTALOJ107M8R	AL	100	6.3	125	6.3	18	3	1
TCTASOJ107M8R	AS	100	6.3	125	31.5	18	3	2
TCTALOJ157M8R	AL	150	6.3	125	94.5	30	2.7	1
TCTALOJ227M8R-V1	AL	220	6.3	125	280.0	30	2.5	1
<b>10 Volt</b>								
TCTP1A226M8R	P	22	10	125	2.2	20	5	1
TCTPL1A226M8R	PL	22	10	125	11.0	20	5	1
TCTP1A336M8R	P	33	10	125	16.5	30	4	1
TCTAL1A476M8R	AL	47	10	125	4.7	20	4	1
TCTAS1A476M8R	AS	47	10	125	9.4	20	4	1
TCTP1A476M8R-EV1	P	47	10	125	23.5	30	4	1
TCTAL1A107M8R-V1	AL	100	10	125	50.0	30	2.5	1
<b>16 Volt</b>								
TCTP1C106M8R	P	10	16	125	1.6	20	6	1
TCTPL1C106M8R	PL	10	16	125	3.2	20	6	1
TCTAL1C226M8R	AL	22	16	125	3.6	20	4	1
TCTAL1C336M8R	AL	33	16	125	5.3	20	4	1
<b>20 Volt</b>								
TCTU1D334M8R	U	0.33	20	125	0.7	20	30	2
TCTAL1D106M8R	AL	10	20	125	2.0	15	8	2
TCTAL1D226M8R-V1	AL	22	20	125	4.4	20	4	1
<b>25 Volt</b>								
TCTP1E225M8R	P	2.2	25	125	0.6	20	8	1

# TCT Series

## Chip Tantalum Capacitors (Large Capacitance)

### RATINGS & PART NUMBER REFERENCE

Part No.	Case Size	Capacitance (μF)	Rated Voltage (V)	Maximum Operating Temp. (°C)	DCL Max. (μA)	DF Max. (%)	Impedance @100kHz (Ω)	MSL
TCTAL1E475M8R	AL	4.7	25	125	1.2	15	8	1
<b>35 Volt</b>								
TCTAS1V105M8R	AS	1.0	35	125	0.7	15	8	1
TCTAL1V335M8R	AL	3.3	35	125	1.2	15	8	1

Moisture Sensitivity Level (MSL) is defined according to J-STD-020.  
All technical data relates to an ambient temperature of +25C.

Capacitance and DF are measured at 120Hz, 0.5RMS with DC bias of 1.5 volts.  
DCL is measured at rated voltage after 5 minutes.  
Impedance allowed to move up to 1.25 times catalog limit post mounting.

**NOTE: KYOCERA AVX reserves the rights to supply higher voltage rating in the same case size, to the same reliability standards.**

### QUALIFICATION TABLE

TEST	TCT series (Temperature range -55°C to 125°C)						
	Condition		Characteristics				
<b>Endurance</b>	Apply rated voltage (Ur) at 85°C for 1000hrs through a serial resistance of ≤3.0Ω. Stabilize at room temperature for 24 hours before measuring.		Visual examination	no visible damage			
			DCL	2x initial limit			
			ΔC/C	within +20/-30% of initial value (U case), ±20% (P, PL case) ±30% (AL, AS case)			
			DF	2x initial limit (P, PL case), 3x (AL, AS, U case)			
<b>Humidity</b>	Apply rated voltage (Ur) at 60±2°C, 90-95% relative humidity for 500+ 12/0 hours. Stabilize at room temperature and humidity for 24 hours before measuring.		Visual examination	no visible damage			
			DCL	2x initial limit (P, PL, AL, AS case), 10x (U case)			
			ΔC/C	within ±20% of initial value			
			DF	2x initial limit (P, PL case), 3x (AL, AS, U case)			
<b>Temperature Stability</b>	Step	Temperature°C	Duration(min)	-55°C      +85°C      +125°C			
				1	-55	15	DCL
	2	+85	15	ΔC/C	0/-15% (P, PL, AL case)	+15/0%	+20/0%
	3	+125	15		0/-20% (AS case)		
				DF	0/-30% (U case)	IL*	IL*
<b>Surge Voltage</b>	Apply 1.3x rated voltage (Ur) at 85±2°C for 1000 cycles, 300sec charge and 30sec discharge resistance 1000Ω.		Visual examination	no visible damage			
			DCL	2x initial limit			
			ΔC/C	±20% of initial limit			
			DF	2x initial limit			
<b>Vibration</b>	4.17 JIS C 5101-1 Frequency: 10 to 55 to 10Hz/min. Amplitude: 1.5mm Time: 2hours each in X and Y directions		Visual examination	no visible damage			
			DCL	initial limit			
			ΔC/C	within ± 5% of initial value			
			DF	initial limit			

\*Initial Limit

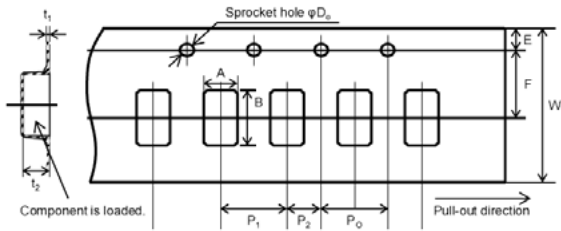
For use outside of recommended conditions and special request, please contact KYOCERA AVX.

Initial measurement max. 1hr after the removal from dry pack or after pretreatment at 85°C for 24 hours.

# TCT Series

## Chip Tantalum Capacitors (Large Capacitance)

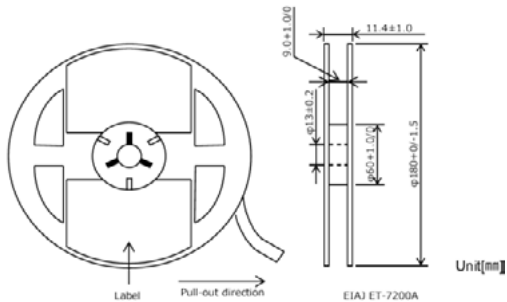
### PACKAGING SPECIFICATIONS



Unit (mm)

Case	A±0.10	B±0.10	W±0.20	E±0.10	F±0.05	P1±0.10	P2±0.05	P0±0.10	D0+0.10/0	t1±0.05	t2±0.10	Standard packaging quantity
AL	1.90	3.50	8.00	1.75	3.50	4.00	2.00	4.00	φ1.55±0.05	0.25	1.30±0.05	3,000 pcs
AS	1.90	3.50	8.00	1.75	3.50	4.00	2.00	4.00	φ1.50	0.25	1.10	3,000 pcs
P	1.55	2.30	8.00	1.75	3.50	4.00	2.00	4.00	φ1.55±0.05	0.25	1.32	3,000 pcs
PL	1.60	2.40	8.00	1.75	3.50	4.00	2.00	4.00	φ1.50	0.25	1.05±0.05	3,000 pcs
U	0.75±0.05	1.40±0.05	8.00	1.75	3.50	2.00	2.00	4.00	φ1.50	0.20	0.65±0.05	10,000 pcs

### REEL DIMENSIONS



Unit(mm)

EIAJ ET-7200A