



23105 Kashiwa Court, Torrance, CA 90505  
Phone: (800) 579-4875 or (310) 534-1505 Fax: (310) 534-1424  
E-mail: info@ledtronics.com  
Website: http://www.ledtronics.com

# TBL4520A-xxWxx-XPW-012W-WP (SERIES)

LED Low Profile Strip Light; Clear Lens  
Waterproof (IP65); 12Vdc; Pure White (5000K)



DWG BY:  
3W / HF  
07-01-20

R&D:  
UF  
12-10-21

MFG:  
LD  
12-10-21

QA:  
SB  
12-10-21

REVISION LTR: A  
ECR#: 120221-UF02  
12-09-21

### ○ Features

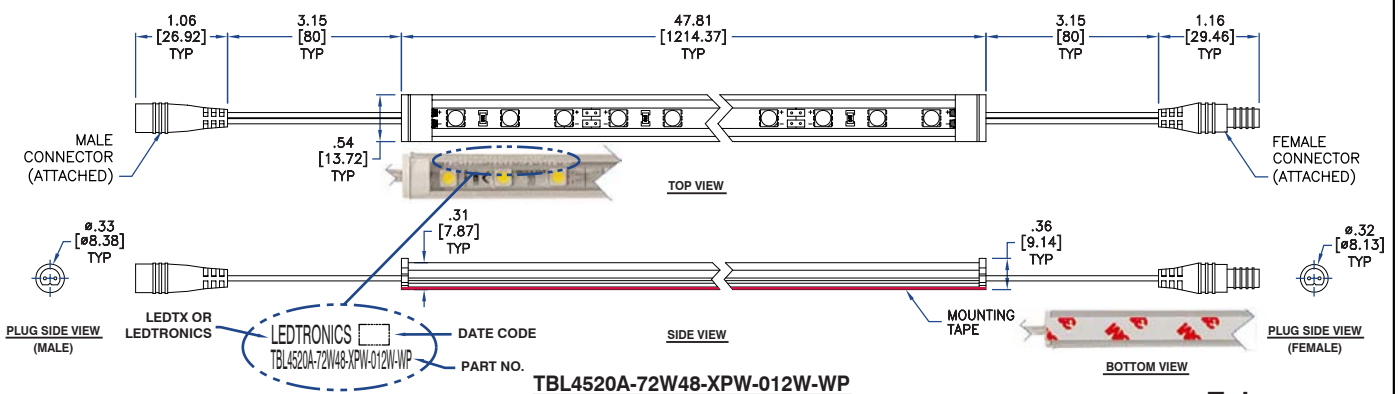
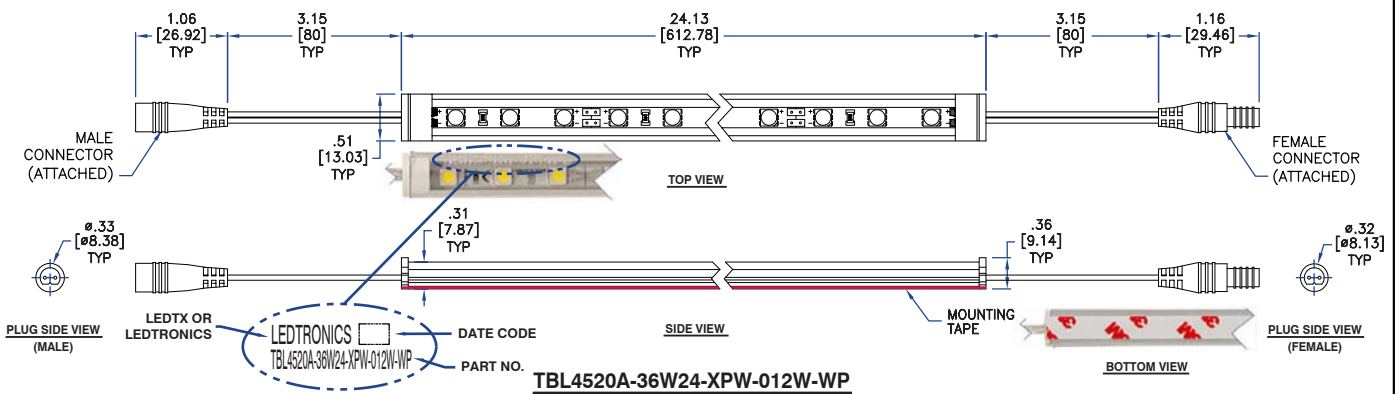
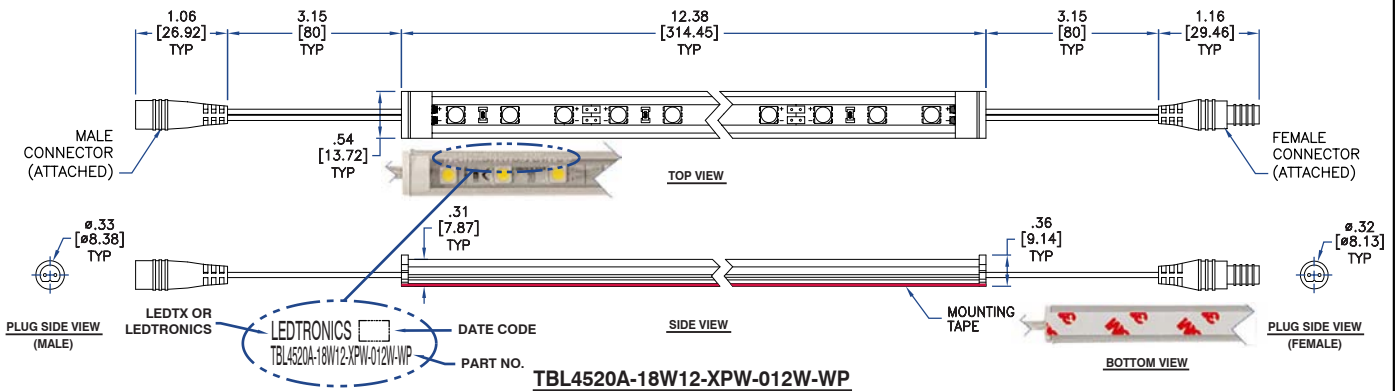
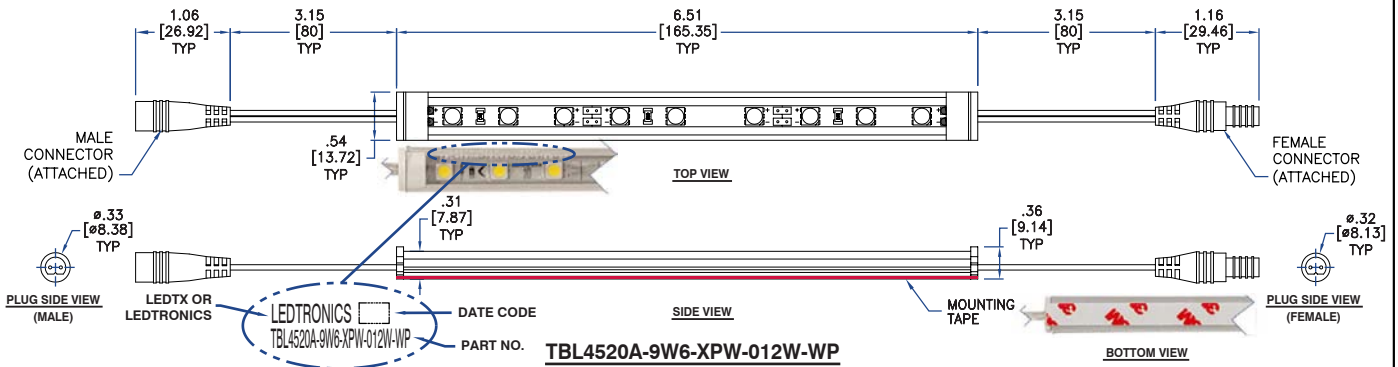
Bar Material / Color	Aluminum / Silver
Lens Material / Color	Polycarbonate / Clear
LED Type	Samsung
LED	1 Chip / 30 pcs.
LED LM80 Report	-
LM79 Report	-
Protection Rating	IP65 (Waterproof)
Dimmable	No
Lifespan	>50,000 hrs.
Warranty	1 Year
Weight (9W6)	0.08 lb. / 0.036 kg.
Weight (18W12)	0.09 lb. / 0.04 kg.
Weight (36W24)	0.16 lb. / 0.07 kg.
Weight (72W48)	0.44 lb. / 0.20 kg.



### ○ Electro-Optical Characteristics

Part Number	TBL4520A-9W6-XPW-012W-WP	TBL4520A-18W12-XPW-012W-WP
Input Voltage, V	12Vdc	12Vdc
Number of LEDs	9 (3 x 3 in series)	18 (3 x 6 in series)
Watts per module	2 W	4.7 W
Current per module, A	0.17 A	0.396 A
Maximum Candela	71 cd	161.5 cd
Total Lumens	211 lm	408.1 lm
Efficacy (lm/W)	106	87
Color Temp (Kelvin)	5000K	5000K
LED Emitting Color	Pure White	Pure White
Angle of illumination	115° x 120°	105° x 110°
Part Number	TBL4520A-36W24-XPW-012W-WP	TBL4520A-72W48-XPW-012W-WP
Input Voltage, V	12Vdc	12Vdc
Number of LEDs	36 (3 x 12 in series)	72 (3 x 24 in series)
Watts per module	9.4 W	14 W
Current per module, A	0.78 A	1.17 A
Maximum Candela	323 cd	477 cd
Total Lumens	895 lm	1,314 lm
Efficacy (lm/W)	95	93
Color Temp (Kelvin)	5000K	5000K
LED Emitting Color	Pure White	Pure White
Angle of illumination	110° x 115°	100° x 125°

**Dimensions**



**Note:**

1. All Dimensions are in Inches [Millimeters].

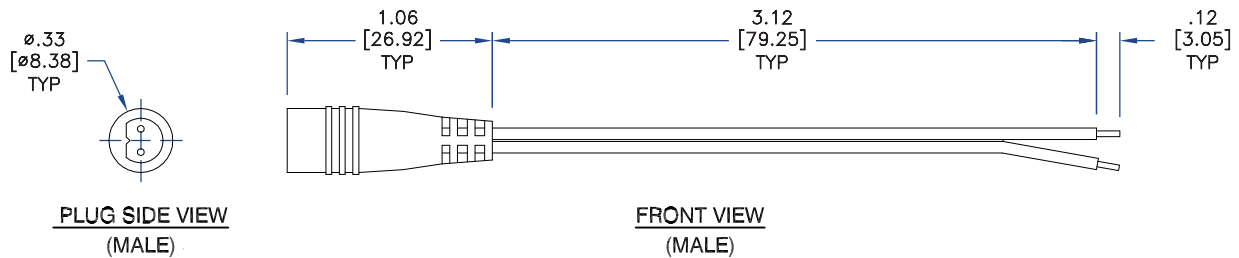
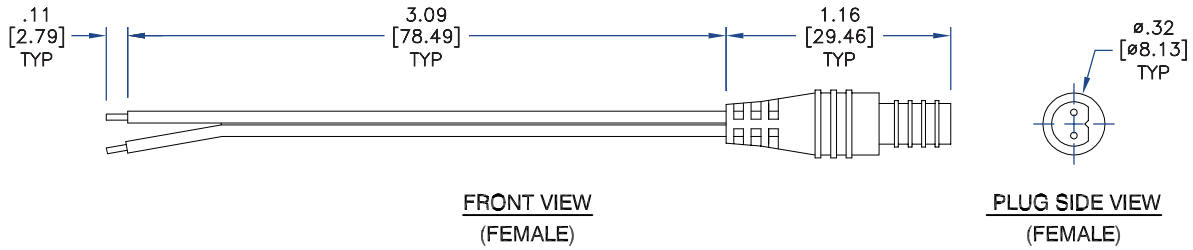
**Tolerance:**

XXX +/- .010

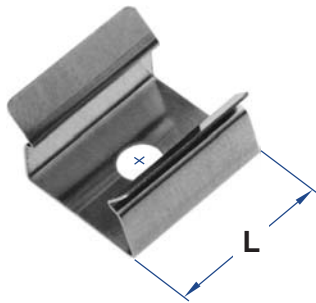
XX +/- .025

○ Accessories (NOT INCLUDED)

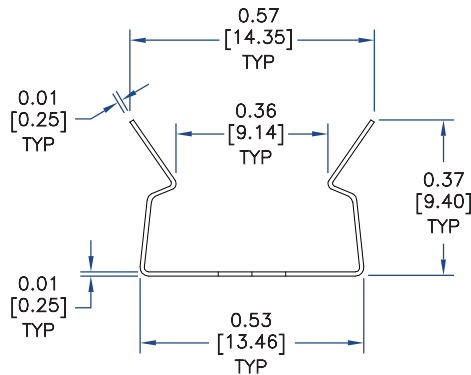
<b>CONNECTOR ACCESSORIES</b>	<b>Part Number: ADPT-TBL4520A-01-SMF</b>	<b>Quantity: 1 Set / 2 pcs.</b>
------------------------------	--	---------------------------------



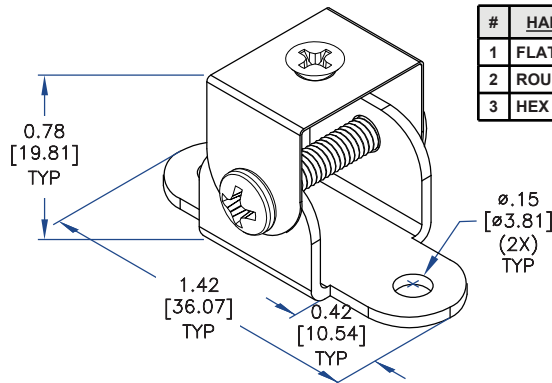
<b>Fixed Angle Mounting Clip</b>	<b>Part Number: MTG-CLIP-TBL4520A-001</b>	<b>Application</b>
----------------------------------	---	--------------------



Length: 0.59 [14.99] TYP.  
Screw Hole Ø: 0.16 [4.06] TYP.



<b>Adjustable Angle Mounting Clip</b>	<b>Part Number: MTG-CLIP-TBL4520A-002</b>
---------------------------------------	---



#	HARDWARE DESCRIPTION	QTY.
1	FLAT HEAD SCREW	1
2	ROUNDED HEAD SCREW	1
3	HEX NUT	2

**Note:**

1. All Dimensions are in Inches [Millimeters].

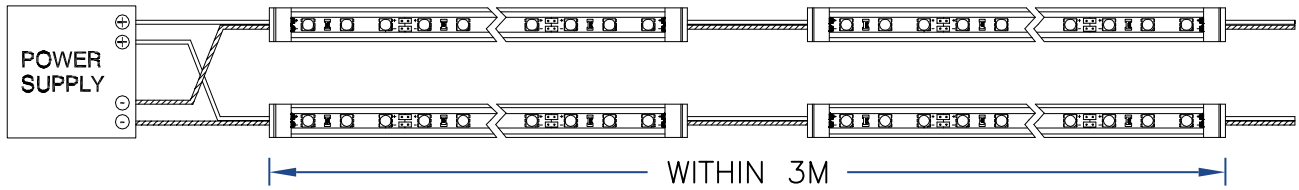
**Tolerance:**

XXX +/- .010

XX +/- .025

○ Wiring Method

-SERIES CONNECTION: WITHIN 3M (WHEN BAR LENGTH IS OVER 3M, IT CAN CAUSE DECLINING BRIGHTNESS AND SHORTEN LIFETIME.



-PARALLEL CONNECTION: WIRING OVER 3M A/L LED BAR LENGTH.

