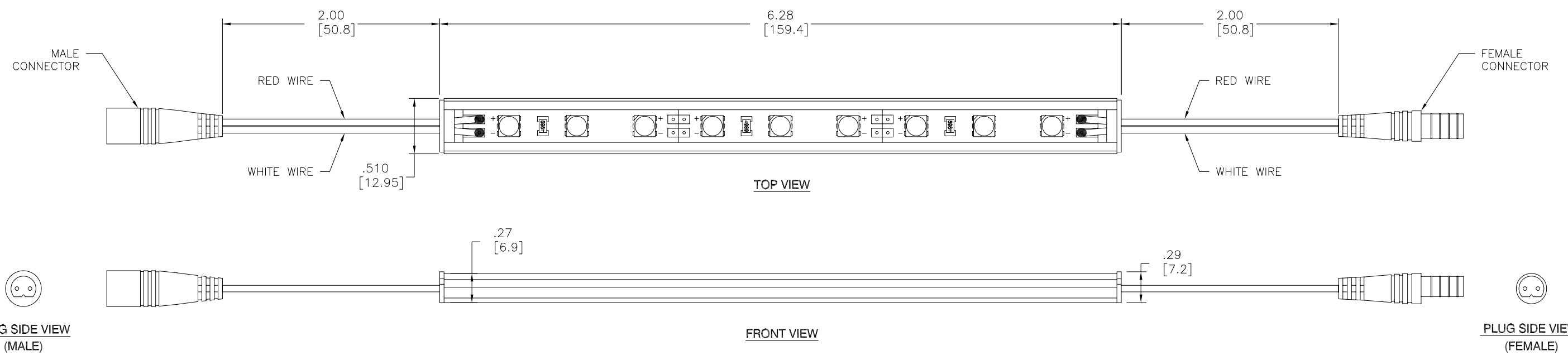
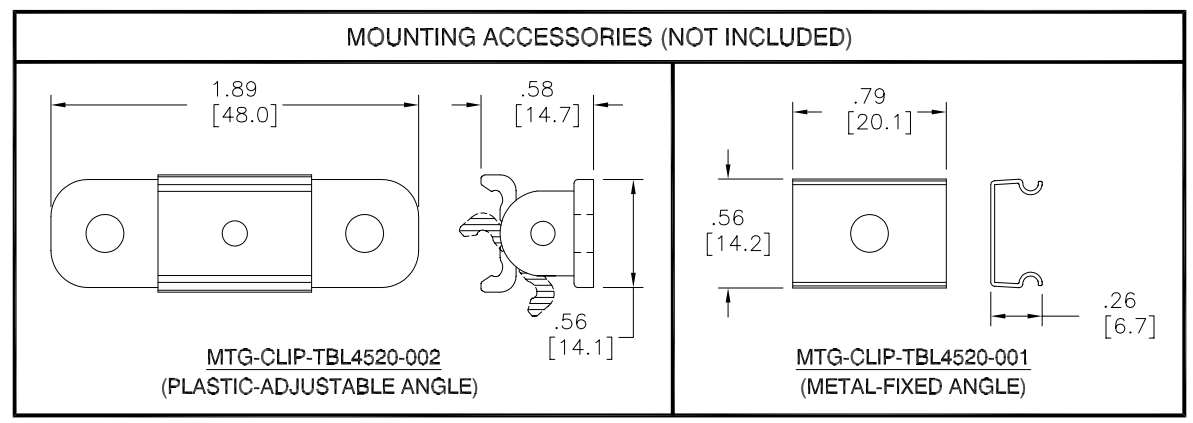
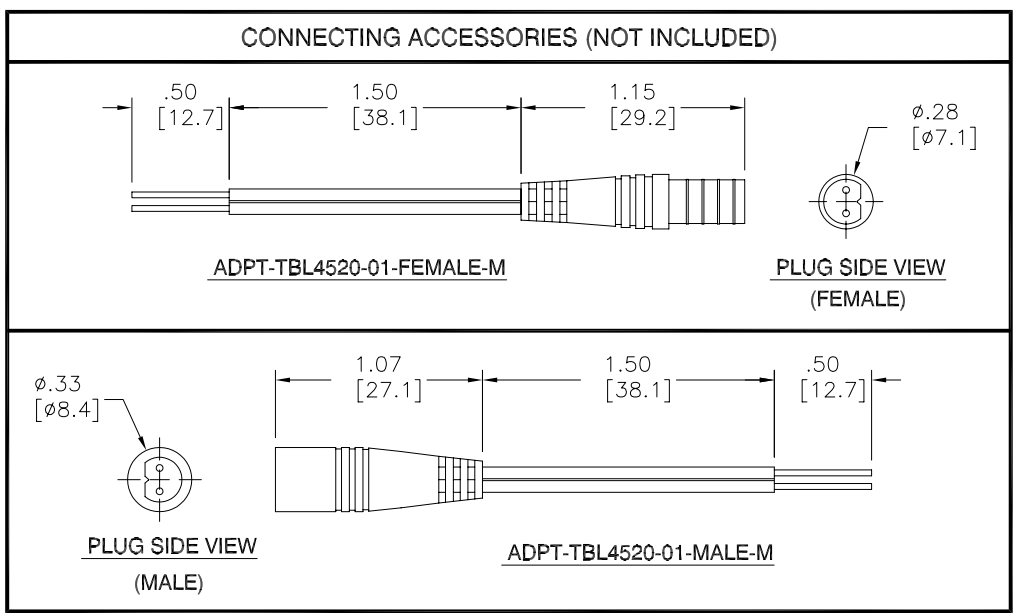
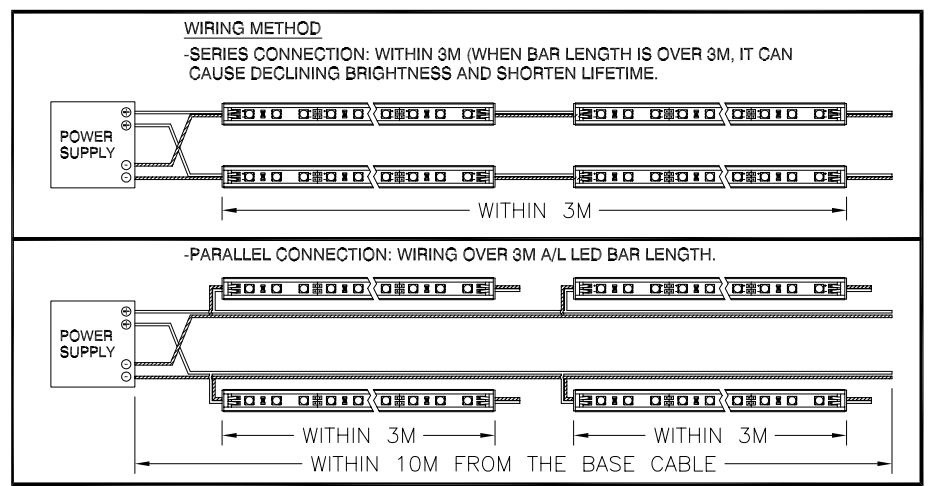


LTR	REVISION	DATE	APPD
B	103017-EE01: UPDATED OVERALL LENGTH TO 6.28	10-31-17	MM



- NOTES:**
1. ALL DIMENSIONS ARE IN INCHES [MILLIMETERS].
  2. CLEAR PC COVER
  3. ALUMINUM BAR
  4. FOR INDOOR AND OUTDOOR USE
  5. WATER PROOF (IP68 CERTIFIED)
  6. WEIGHT: 0.6 oz



**ELECTRICAL / OPTICAL CHARACTERISTICS (Ta = 25°C)**

LEDTRONICS PART NO.	INPUT VOLTAGE, V	NUMBER OF LED <sub>s</sub>	MAX. RUN LENGTH	WATTS PER MODULE	CURRENT PER MODULE, A	MAXIMUM CANDELA	TOTAL LUMENS	EFFICACY (lm/W)	COLOR TEMP. (Kelvin)	LED EMITTING COLOR	VIEWING ANGLE (FULL BEAM WIDTH AT 50% INTENSITY)
TBL4520-9W6-XCW-012W-WP	12Vdc	9	12 IN SERIES	2.0 W	0.170 A	60 cd	145 lm	70	8000K~9000K	COOL WHITE	90°
TBL4520-9W6-XIW-012W-WP	12Vdc	9	12 IN SERIES	1.9 W	0.160 A	60 cd	170 lm	85	2500K~3000K	WARM WHITE	90°
TBL4520-9W6-XPW-012W-WP	12Vdc	9	12 IN SERIES	2.1 W	0.175 A	55 cd	150 lm	70	5000K~5500K	PURE WHITE	90°

**REVISION NOTIFICATION**

DLC  
 UL/ETL  
 MADE IN USA  
 CUSTOMER \_\_\_\_\_  
 OTHER \_\_\_\_\_

**REDLINE CHECKLIST**

REDLINE(YES)  
 DATE: \_\_\_\_\_  
 INITIATED BY: \_\_\_\_\_  
 ECR REQUIRED YES  NO   
 WORK ORDER# \_\_\_\_\_

LED<sup>®</sup>  
LEDTRONICS, INC.  
23105 KASHIWA COURT  
TORRANCE, CA 90505

-PROPRIETARY-  
This document contains Proprietary information of LEDTRONICS, INC. It may not be copied, used or disclosed for any purpose without the prior express written consent of LEDTRONICS, INC.

.XXX ± .010 TOLERANCE PER ANSI-Y14.5  
.XX ± .025 (UNLESS OTHERWISE STATED)  
ANGLES ± 0°.30'  
FRACT. ± 1/32

**TITLE**  
TBL4520-9W6-XXW-012W-WP

DWG NO	SCALE	SHEET	DATE
CMMS1163-CUST	1:1	1 OF 1	12-05-13
CODE IDENT NO.	DWG BY	CHK BY	QA
8Z410	MM 12-05-13	EE	MFG LD
			R&D LUV
			11-01-17
			10-31-17
			10-31-17