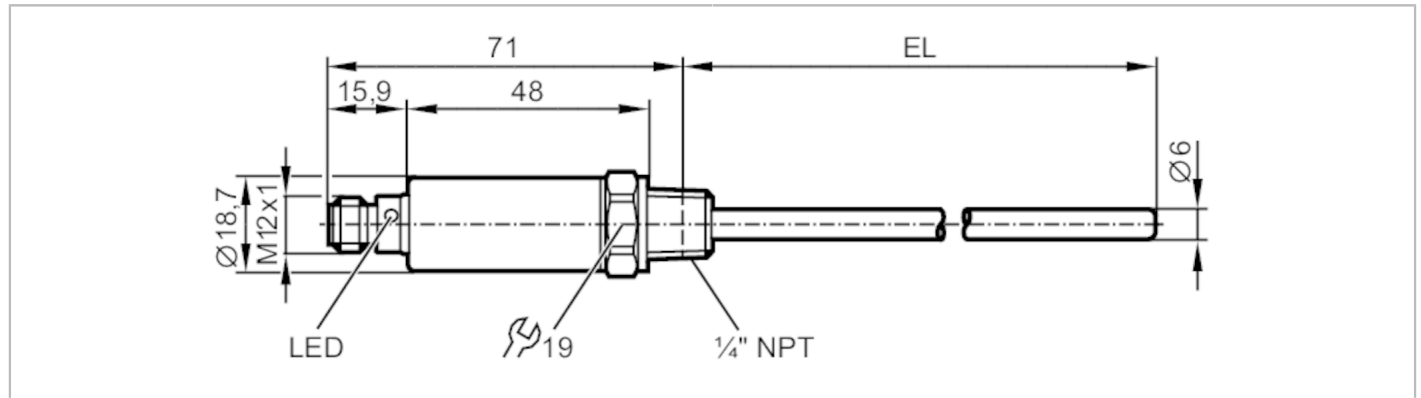


TA2603



Temperature transmitter

TA025FLEN14-A-ZVG/US



Product characteristics

Number of inputs and outputs	Number of analog outputs: 1
Measuring range [°F]	-58...302
Process connection	threaded connection 1/4" NPT
Installation length EL [mm]	25

Application

System	gold-plated contacts
Measuring element	1 x Pt 1000; (to DIN EN 60751, class A)
Media	liquids and gases
Pressure rating [bar]	400
Note on pressure rating	sensor
MAWP (for applications according to CRN) [bar]	When mounted in adapters the specifications of the adapter data sheet apply. 400

Electrical data

Operating voltage [V]	18...32 DC; (cULus - Class 2 source required)
Current consumption [mA]	< 50
Protection class	III
Reverse polarity protection	yes
Power-on delay time [s]	1

Inputs / outputs

Number of inputs and outputs	Number of analog outputs: 1
------------------------------	-----------------------------

Outputs

Total number of outputs	1
Output signal	analog signal; IO-Link; (configurable)
Number of analog outputs	1
Analog current output [mA]	4...20
Max. load [Ω]	250; ((18...19 V); 19...32 V: 300 Ω)
Short-circuit protection	yes
Overload protection	yes

TA2603



Temperature transmitter

TA025FLEN14-A-ZVG/US

Measuring/setting range			
Measuring range	[°F]	-58...302	
Factory setting		0...300 °F	
Resolution			
Resolution of analog output	[K]	0.04	
Accuracy / deviations			
Precision analog output	[K]	± 0,3 + (± 0,1 % MS)	
Temperature coefficient [% of the span / 10 K]		0,1; (In case of deviation from the reference condition 25 ± 5 °C)	
Reaction times			
Dynamic response T05 / T09	[s]	1 / 3	
Interfaces			
Communication interface		IO-Link	
Transmission type		COM2 (38,4 kBaud)	
IO-Link revision		1.1	
Operating conditions			
Ambient temperature	[°C]	-25...80	
Storage temperature	[°C]	-40...100	
Protection		IP 67; IP 68; IP 69K	
Tests / approvals			
EMC		DIN EN 61000-6-2	
Shock resistance		DIN IEC 68-2-27	50 g (11 ms)
Vibration resistance		DIN IEC 68-2-6	20 g (10...2000 Hz)
MTTF	[years]	572	
UL approval		UL approval number	K002
Mechanical data			
Weight	[g]	87.5	
Dimensions	[mm]	Ø 18.7	
Material		stainless steel (1.4404 / 316L); PEI; FKM	
Materials (wetted parts)		stainless steel (1.4404 / 316L)	
Process connection		threaded connection 1/4" NPT	
Probe diameter	[mm]	6	
Installation length EL	[mm]	25	
Displays / operating elements			
Display		operating status	1 x LED, green
Remarks			
Remarks		MS = set measuring span	
Pack quantity		1 pcs.	
Electrical connection			
Connector: 1 x M12; Contacts: gold-plated			

TA2603



Temperature transmitter

TA025FLEN14-A-ZVG/US



Connection

