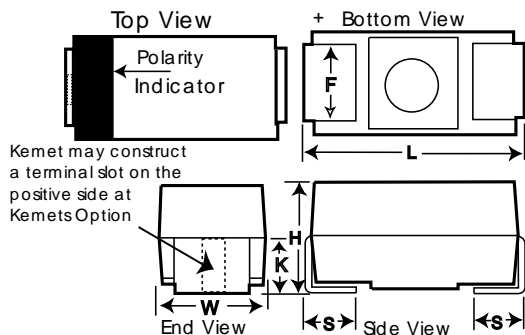


**KEMET Part Number: T491M107K006ZT**  
(B45190E1107K219)

Capacitor, Tantalum, SMD, Molded, Low Profile, 100 uF, 3528, +/-10% Tol, 6.3V@85C



Dimensions (mm)		
Symbol	Dimension	Tolerance
L	3.5	+/-0.2
W	2.8	+/-0.2
H	1.5	MAX
K	1.3	typ
F	2.2	+/-0.1
S	0.8	+/-0.3

**Notes:**

-In polarity stripe, at KEMET's option, type may be indicated: see catalog for explanation of symbols

-Old part number [Obsolete] was B45190E1107K219

**General Information**

<b>Supplier:</b>	KEMET
<b>Part Type Description:</b>	SMD, Molded, Low Profile
<b>Construction:</b>	Standard Chip-MnO2

**Specifications**

<b>Capacitance:</b>	100 uF
<b>Voltage DC @ 85C:</b>	6.3V
<b>Voltage DC @ 105C:</b>	5.26V
<b>Voltage DC @ 125C:</b>	4.22V
<b>Tolerance:</b>	+/-10%
<b>Application:</b>	General Purpose
<b>Temperature Range:</b>	-55/+125C
<b>Body Type:</b>	Molded Chip
<b>Footprint:</b>	3528
<b>Termination:</b>	Tin
<b>RoHS:</b>	Yes
<b>Leakage Current:</b>	6.3 uA
<b>Dissipation Factor:</b>	20%

**Packaging Specifications**

<b>Package Kind:</b>	T&R
<b>Package Size:</b>	7in
<b>Package Quantity:</b>	2500