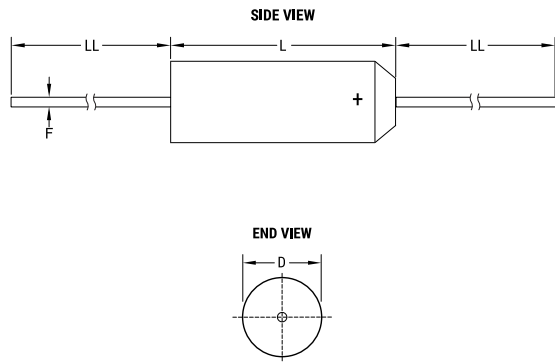


KEMET Part Number: T322C475K035AT7200
(T322C475K035AT7241, T322C475K035ATTR)

T322, Tantalum, MnO2 Tantalum, Commercial Grade, 4.7 uF, 10%, 35 VDC, 3 Ohms



Dimensions	
D	4.57mm MAX
L	8.76mm MAX
LL	38.1mm +/-6.35mm
F	0.51mm +/-0.05mm

Packaging Specifications	
Packaging:	T&R, 305mm, Class I, B = 52.4mm
Packaging Quantity:	2500

General Information	
Supplier:	KEMET
Series:	T322
Dielectric:	MnO2 Tantalum
Style:	Axial
Description:	Axial, Solid Tantalum, Molded, Military (Non-ER), Low ESR
Features:	Low ESR
RoHS:	Yes
Termination:	Tin
Lead:	Wire Leads
Notes:	Uninsulated
Shelf Life:	156 Weeks

Specifications	
Capacitance:	4.7 uF
Capacitance Tolerance:	10%
Voltage DC:	35 VDC (85C), 23.35 VDC (125C Surge), 0.35 VDC (125C Reverse)
Temperature Range:	-55/+125C
Rated Temperature:	85C
Resistance:	3 Ohms (100kHz)
Leakage Current:	1.3 uA (25C)