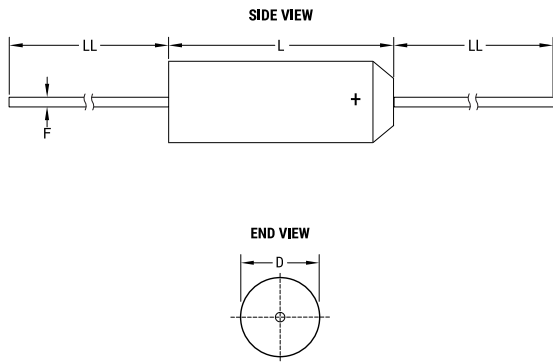


**KEMET Part Number: T322C106K020AT7200**  
(T322C106K020AT7241, T322C106K020ATTR)

T322, Tantalum, MnO2 Tantalum, Commercial Grade, 10 uF, 10%, 20 VDC, 2.9 Ohms



**Dimensions**

<b>D</b>	4.57mm MAX
<b>L</b>	8.76mm MAX
<b>LL</b>	38.1mm +/-6.35mm
<b>F</b>	0.51mm +/-0.05mm

**Packaging Specifications**

<b>Packaging:</b>	T&R, 305mm, Class I, B = 52.4mm
<b>Packaging Quantity:</b>	2500

**General Information**

<b>Supplier:</b>	KEMET
<b>Series:</b>	T322
<b>Dielectric:</b>	MnO2 Tantalum
<b>Style:</b>	Axial
<b>Description:</b>	Axial, Solid Tantalum, Molded, Military (Non-ER), Low ESR
<b>Features:</b>	Low ESR
<b>RoHS:</b>	Yes
<b>Termination:</b>	Tin
<b>Lead:</b>	Wire Leads
<b>Notes:</b>	Uninsulated
<b>Shelf Life:</b>	156 Weeks

**Specifications**

<b>Capacitance:</b>	10 uF
<b>Capacitance Tolerance:</b>	10%
<b>Voltage DC:</b>	20 VDC (85C), 13.34 VDC (125C Surge), 0.2 VDC (125C Reverse)
<b>Temperature Range:</b>	-55/+125C
<b>Rated Temperature:</b>	85C
<b>Resistance:</b>	2.9 Ohms (100kHz)
<b>Leakage Current:</b>	1.6 uA (25C)