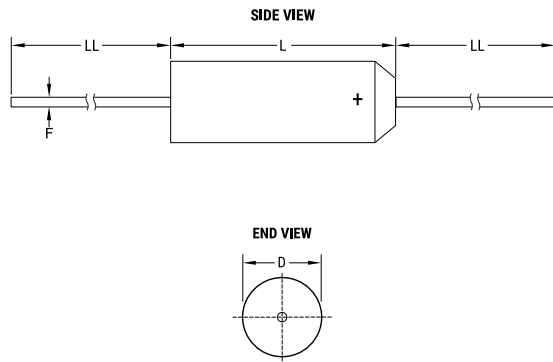


KEMET Part Number: T322B105K035AT7200
(T322B105K035AT7241, T322B105K035ATTR)

T322, Tantalum, MnO2 Tantalum, Commercial Grade, 1 uF, 10%, 35 VDC, 8 Ohms



| Dimensions | |
|------------|------------------|
| D | 2.79mm MAX |
| L | 7.37mm MAX |
| LL | 38.1mm +/-6.35mm |
| F | 0.51mm +/-0.05mm |

| Packaging Specifications | |
|--------------------------|---------------------------------|
| Packaging: | T&R, 305mm, Class I, B = 52.4mm |
| Packaging Quantity: | 1000 |

| General Information | |
|---------------------|---|
| Supplier: | KEMET |
| Series: | T322 |
| Dielectric: | MnO2 Tantalum |
| Style: | Axial |
| Description: | Axial, Solid Tantalum, Molded, Military (Non-ER), Low ESR |
| Features: | Low ESR |
| RoHS: | Yes |
| Termination: | Tin |
| Lead: | Wire Leads |
| Notes: | Uninsulated |
| Shelf Life: | 156 Weeks |

| Specifications | |
|------------------------|---|
| Capacitance: | 1 uF |
| Capacitance Tolerance: | 10% |
| Voltage DC: | 35 VDC (85C), 23.35 VDC (125C Surge), 0.35 VDC (125C Reverse) |
| Temperature Range: | -55/+125C |
| Rated Temperature: | 85C |
| Resistance: | 8 Ohms (100kHz) |
| Leakage Current: | 0.5 uA (25C) |