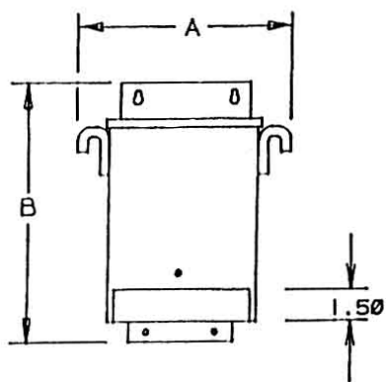
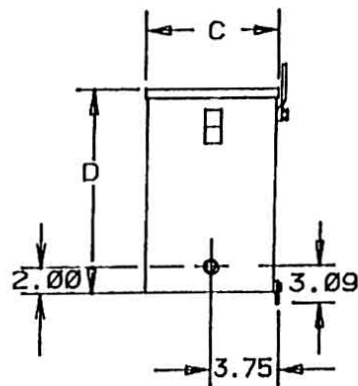


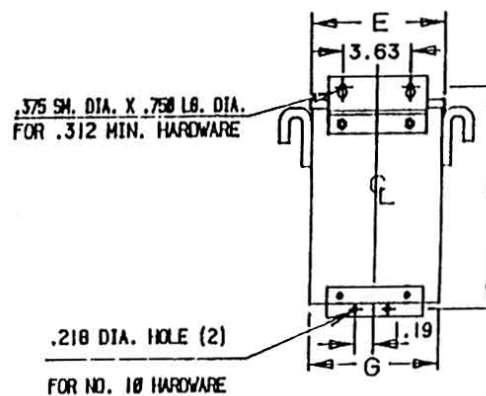
# Revisions



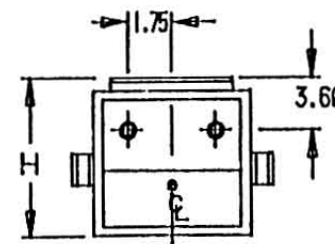
FRONT



SIDE

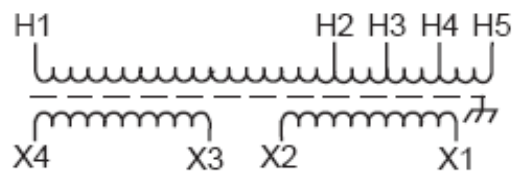


BACK



BOTTOM

Primary Volts	Connect Primary Lines To	Inter-Connect	Connect Secondary Lines To
277	H1, H5		
240	H1, H4		
208	H1, H3		
120	H1, H2		
Secondary Volts			
120		X1 to X3 X2 to X4	X1-X4
120/240		X2 to X3	X1-X2-X4
240		X2 to X3	X1-X4



KVA	CATALOG NUMBER	VOLTAGE		WIRING DIAGRAM	WEIGHT	PHASE	FREQ.
		HIGH	LOW				
5.0	<b>T-2-79744-S</b>	120/208/240/277	120/240		75 Lbs	1φ	60 Hz

### TYPICAL PERFORMANCE DATA

Winding Rise	115°C
Insulation	180°C
Sound Level	40 dB

Standards:	UL/CSA	IMPEDANCE	
------------	--------	-----------	--

**Enclosure: NEMA-3R**

Typical Efficiency	
Full Load Losses	
No Load Losses	

A	B	C	D	E	F	G	H		
10.31	15.63	6.65	13.06	7.81	14.38	7.68	7.13		



File No.

UL - E79947

CSA - 7357

A

PRINTS TO

CONTROL  
7