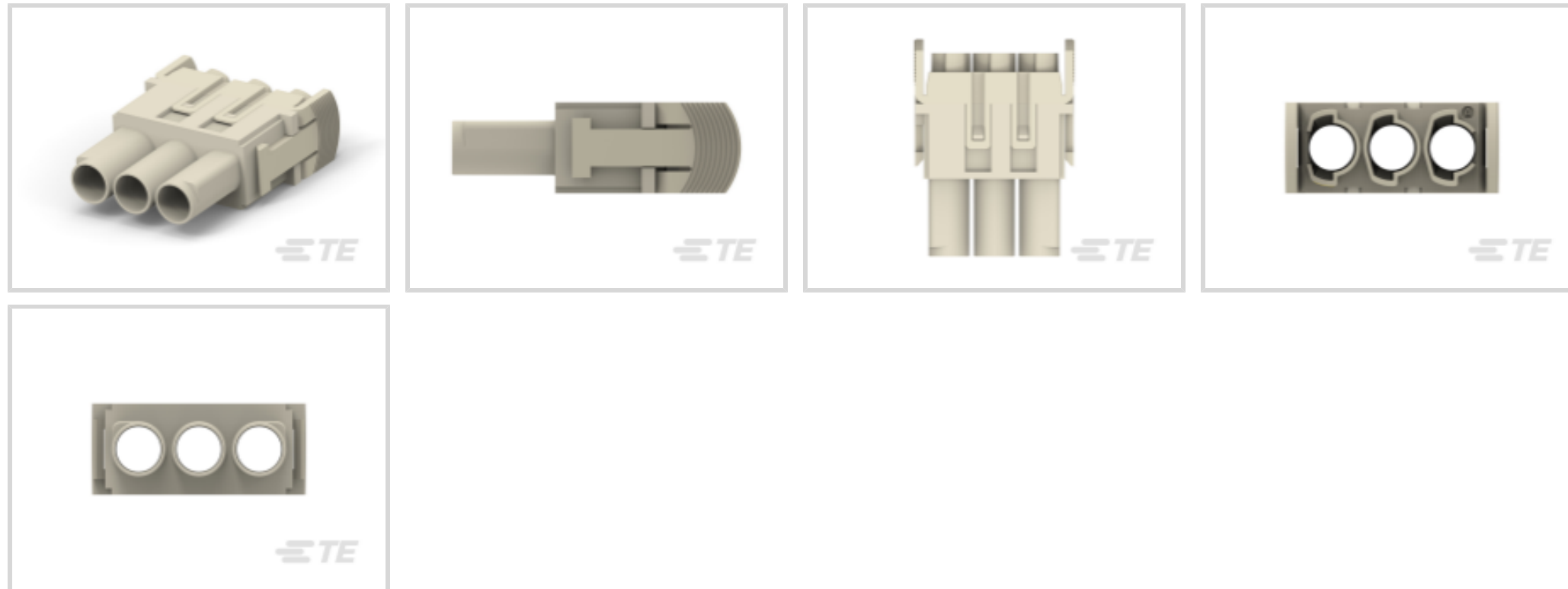




Connectors > Rectangular Connectors > Rectangular Contact Inserts



Rectangular Connector Insert Type: **Insert for Contacts**

Contact Type: **Pin**

Pole Configuration: **3**

Termination Method to Wire & Cable: **Crimp Terminal**

Number of Positions: **3**

Features

Product Type Features

Rectangular Connector Insert Type	Insert for Contacts
-----------------------------------	---------------------

Configuration Features

Number of Positions	3
---------------------	---

Body Features

Primary Product Material	PC
Primary Product Color	Gray

Contact Features

Contact Type	Pin
Pole Configuration	3
Contact Current Rating (Max)	1.2 A

Termination Features

Termination Method to Wire & Cable	Crimp Terminal
------------------------------------	----------------

Operation/Application

--	--

Circuit Application	Power & Signal
---------------------	----------------

Packaging Features

Packaging Quantity	12
Packaging Method	Box

Product Compliance

[For compliance documentation, visit the product page on TE.com>](#)

EU RoHS Directive 2011/65/EU	Compliant
EU ELV Directive 2000/53/EC	Compliant
China RoHS 2 Directive MIIT Order No 32, 2016	No Restricted Materials Above Threshold
EU REACH Regulation (EC) No. 1907/2006	Current ECHA Candidate List: JUNE 2024 (241) Candidate List Declared Against: JAN 2024 (240) Does not contain REACH SVHC
Halogen Content	Low Bromine/Chlorine - Br and Cl < 900 ppm per homogenous material. Also BFR /CFR/PVC Free
Solder Process Capability	Not reviewed for solder process capability

Product Compliance Disclaimer

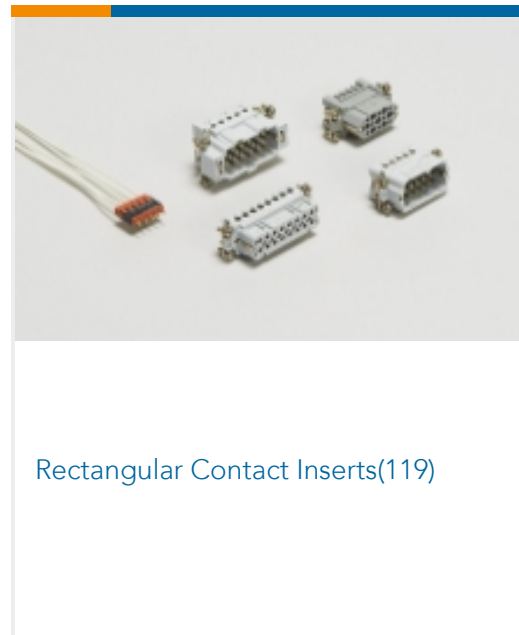
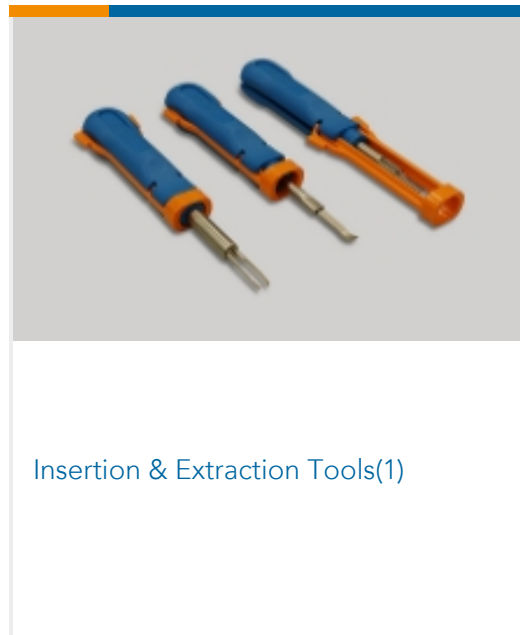
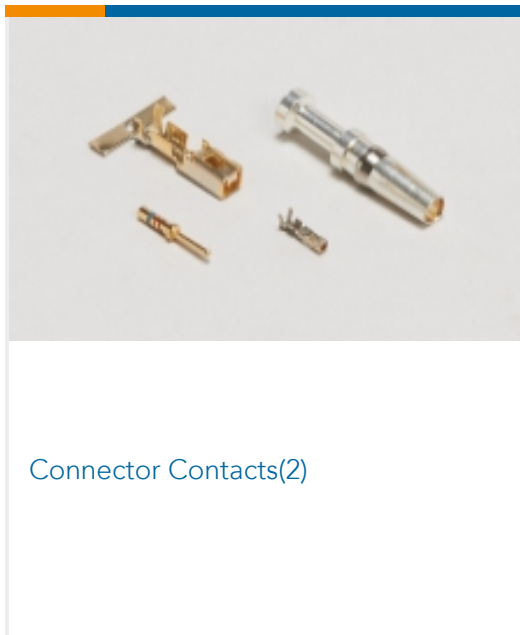
This information is provided based on reasonable inquiry of our suppliers and represents our current actual knowledge based on the information they provided. This information is subject to change. The part numbers that TE has identified as EU RoHS compliant have a maximum concentration of 0.1% by weight in homogenous materials for lead, hexavalent chromium, mercury, PBB, PBDE, DBP, BBP, DEHP, DIBP, and 0.01% for cadmium, or qualify for an exemption to these limits as defined in the Annexes of Directive 2011/65/EU (RoHS2). Finished electrical and electronic equipment products will be CE marked as required by Directive 2011/65/EU. Components may not be CE marked. Additionally, the part numbers that TE has identified as EU ELV compliant have a maximum concentration of 0.1% by weight in homogenous materials for lead, hexavalent chromium, and mercury, and 0.01% for cadmium, or qualify for an exemption to these limits as defined in the Annexes of Directive 2000/53/EC (ELV). Regarding the REACH Regulation, the information TE provides on SVHC in articles for this part number is based on the latest European Chemicals Agency (ECHA) 'Guidance on requirements for substances in articles' posted at this URL: <https://echa.europa.eu/guidance-documents/guidance-on-reach>

Compatible Parts

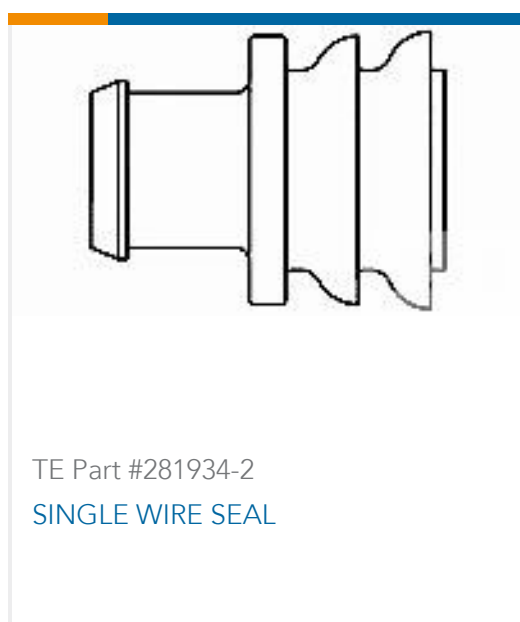




Also in the Series | HDC HMN



Customers Also Bought



Documents

[Product Drawings](#)
[HMN-D3-2/6-M](#)

English

[CAD Files](#)
[3D PDF](#)
3D



Customer View Model

[ENG_CVM_CVM_T2115032101-000_A.2d_dxf.zip](#)

English

Customer View Model

[ENG_CVM_CVM_T2115032101-000_A.3d_igs.zip](#)

English

Customer View Model

[ENG_CVM_CVM_T2115032101-000_A.3d_stp.zip](#)

English

By downloading the CAD file I accept and agree to the [Terms and Conditions](#) of use.

Product Specifications

[Application Specification](#)

English