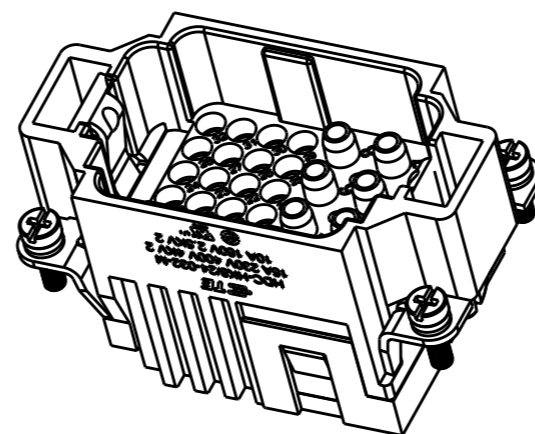
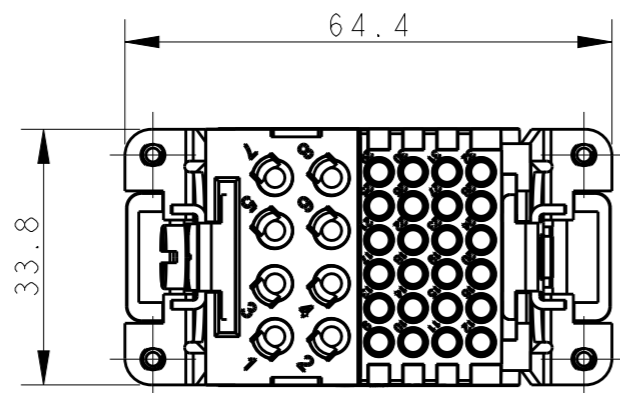


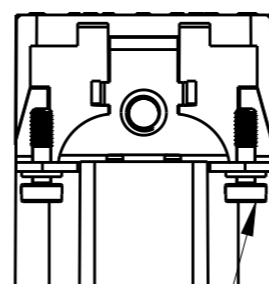
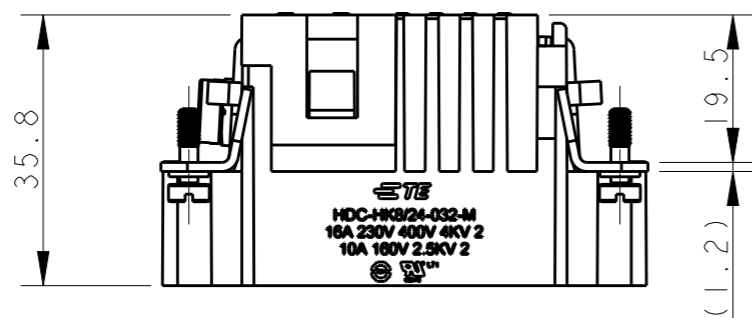
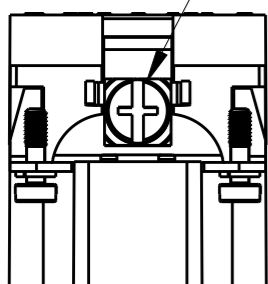
THIS DRAWING IS UNPUBLISHED. RELEASED FOR PUBLICATION 20
 © COPYRIGHT 20 BY - ALL RIGHTS RESERVED.

REVISIONS					
P	LTR	DESCRIPTION	DATE	DWN	APVD
	A	INITIAL RELEASE	15APR2015	DL	CW
	AI	ECR-15-009224	23JUN2015	DL	CW
	B	ECR-15-018481	22FEB2016	DL	CW

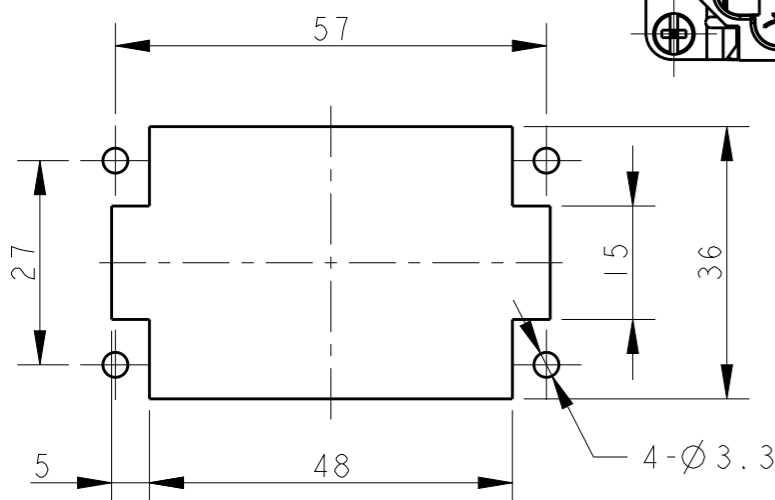
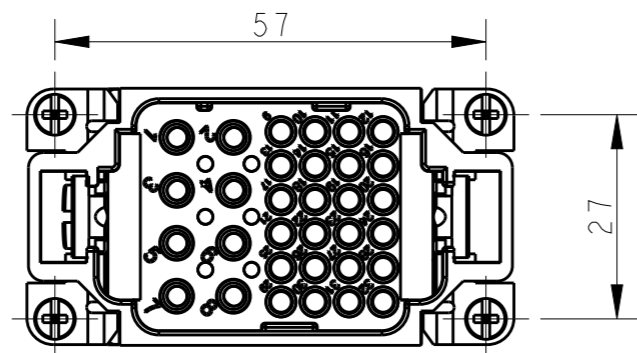


NOTES:
 1. TECHNICAL CHARACTERISTICS:
 INSULATION MATERIAL: PC
 RATED VOLTAGE: POWER: CONDUCTOR - GROUND: 230 V
 CONDUCTOR - CONDUCTOR: 400 V
 SIGNAL: 160 V
 RATED CURRENT: POWER: 16 A; SIGNAL: 10 A
 INSULATION RESISTANCE: $\geq 400M\Omega$
 RATED IMPULSE VOLTAGE: POWER: 4 KV; SIGNAL: 2.5 KV
 POLLUTION DEGREE: 2
 FLAMMABILITY: UL94V-0
 MATING CYCLES: 500
 OPERATION TEMPERATURE: -40-+125°C
 WIRE RANGE: POWER: 0.14-4.0 mm² (26-12 AWG)
 SIGNAL: 0.14-2.5 mm² (26-14 AWG)
 CONTACT TYPE: CRIMP CONTACT
 2. CONTACT NEED TO BE ORDERED SEPARATELY.
 (ORDER No. REFER TO DRAWING: 16A: T20300X10XX000;
 10A: T20200X10XX000)

M5 THREAD
 RECOMMENDED TIGHTENING TORQUE 2.0Nm



4 X M3 THREAD
 RECOMMENDED TIGHTENING TORQUE 0.5Nm



PANEL CUT OUT FOR INSERTS FOR USING
 WITHOUT HOODS/HOUSINGS

注释:
 1. 技术参数:
 绝缘材料: PC
 额定电压: 电源: 导体-地: 230 V; 导体-导体: 400 V; 信号: 160 V
 额定电流: 电源: 16 A; 信号: 10 A
 绝缘电阻: $\geq 400M\Omega$
 额定脉冲电压: 电源: 4 KV; 信号: 2.5 KV
 污染等级: 2
 阻燃等级: UL94V-0
 插拔次数: 500次
 工作温度: -40-+125°C
 接线范围: 电源: 0.14-4.0 mm² (26-12 AWG);
 信号: 0.14-2.5 mm² (26-14 AWG)
 接线类型: 冷压接
 2. 端子需要单独订购.
 (订货号参考图面: 16A: T20300X10XX000; 10A: T20200X10XX000)

T2100322101-000	HK8/24-032-M HK8/24-032 公插
PART NUMBER 料号	PART DESCRIPTION 描述

THIS DRAWING IS A CONTROLLED DOCUMENT.		DWN 15APR2015 DAVID LI	TE Connectivity					
DIMENSIONS: mm		CHK 15APR2015 CHRIS WANG						
TOLERANCES UNLESS OTHERWISE SPECIFIED:		APVD 15APR2015 XU XIANG						
0 PLC ±- 1 PLC ±- 2 PLC ±- 3 PLC ±- 4 PLC ±- ANGLES ±-		PRODUCT SPEC 108-137131						
MATERIAL		APPLICATION SPEC 114-137131	NAME HDC-HK8/24-032-M	SIZE A3	CAGE CODE -	DRAWING NO T2100322101000	RESTRICTED TO -	
FINISH		WEIGHT -	CUSTOMER DRAWING		SCALE 1:1	SHEET 1	OF 1	REV B