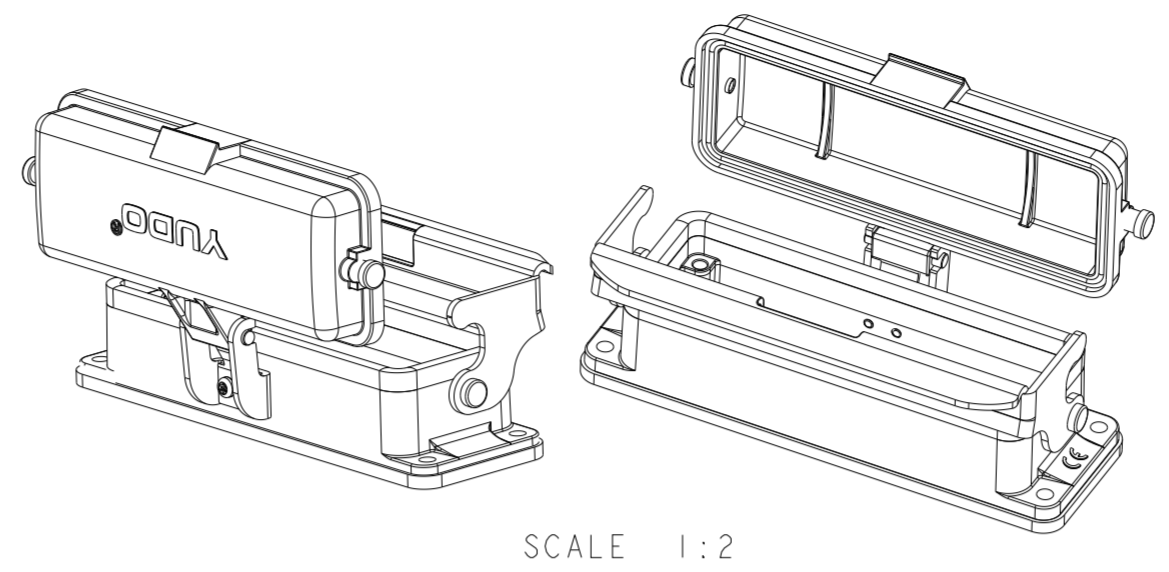
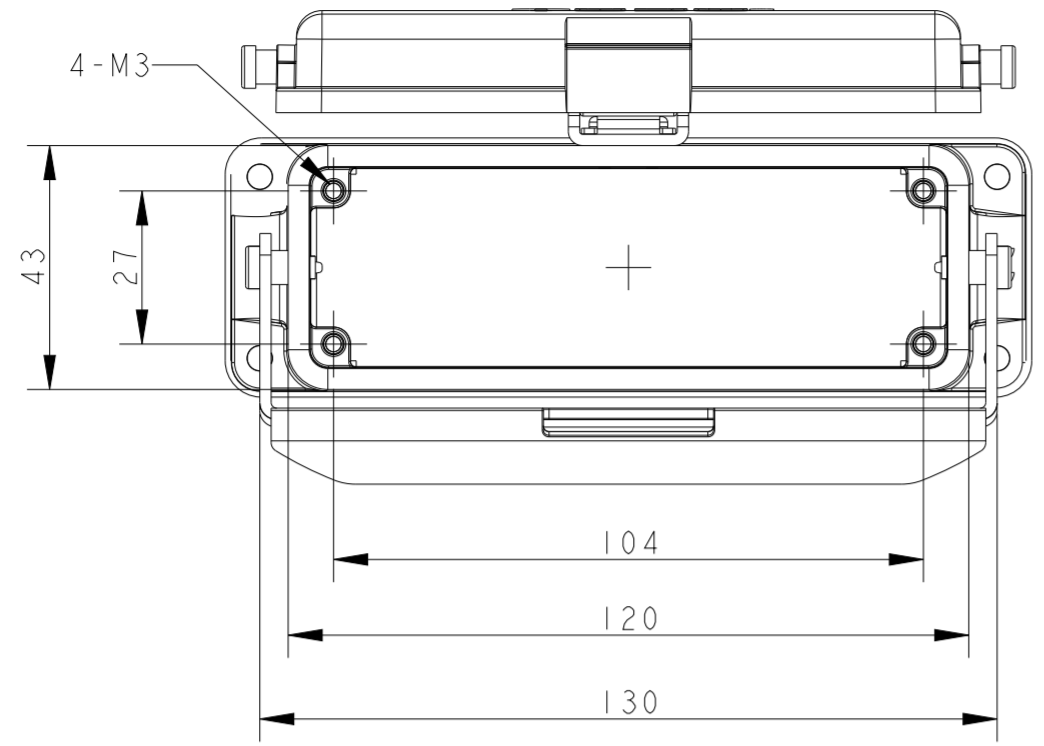
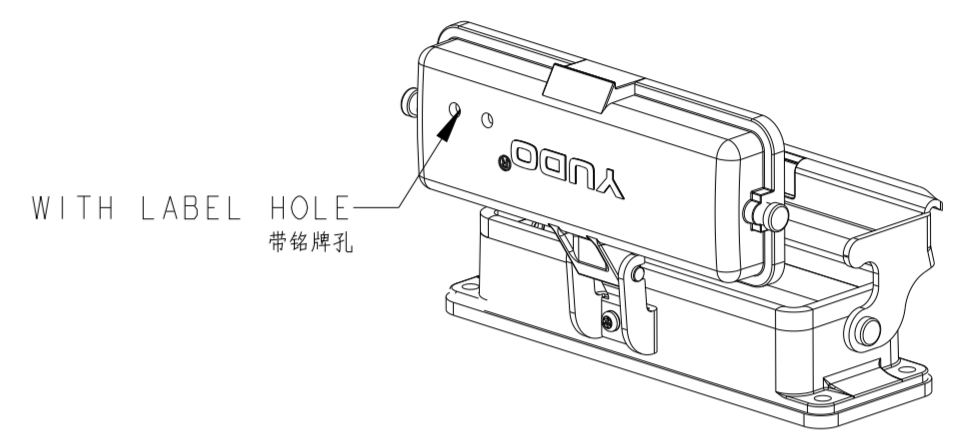


THIS DRAWING IS UNPUBLISHED. RELEASED FOR PUBLICATION 20
 © COPYRIGHT 20 BY - ALL RIGHTS RESERVED.

REVISIONS					
P	LTR	DESCRIPTION	DATE	DWN	APVD
	A	INITIAL RELEASE	03JUL2015	DL	CW
	A1	ECR-18-009977	27AUG2018	CD	CW
	B	ECR-20-014876	26JUL2021	WOR	CW

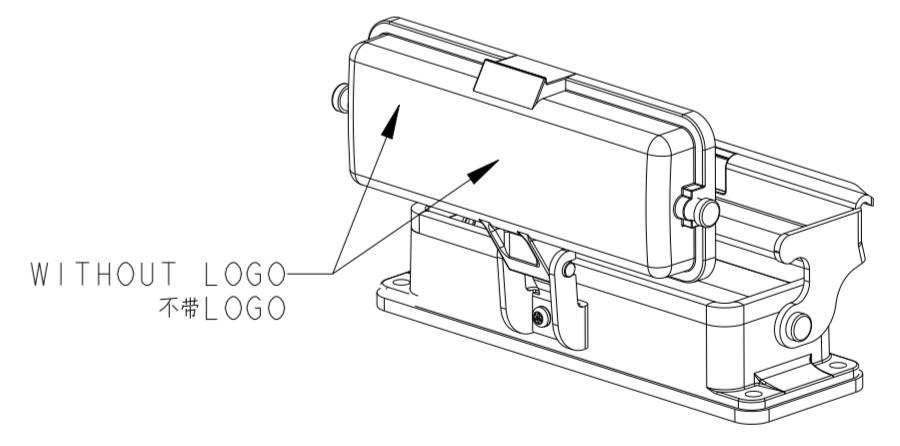
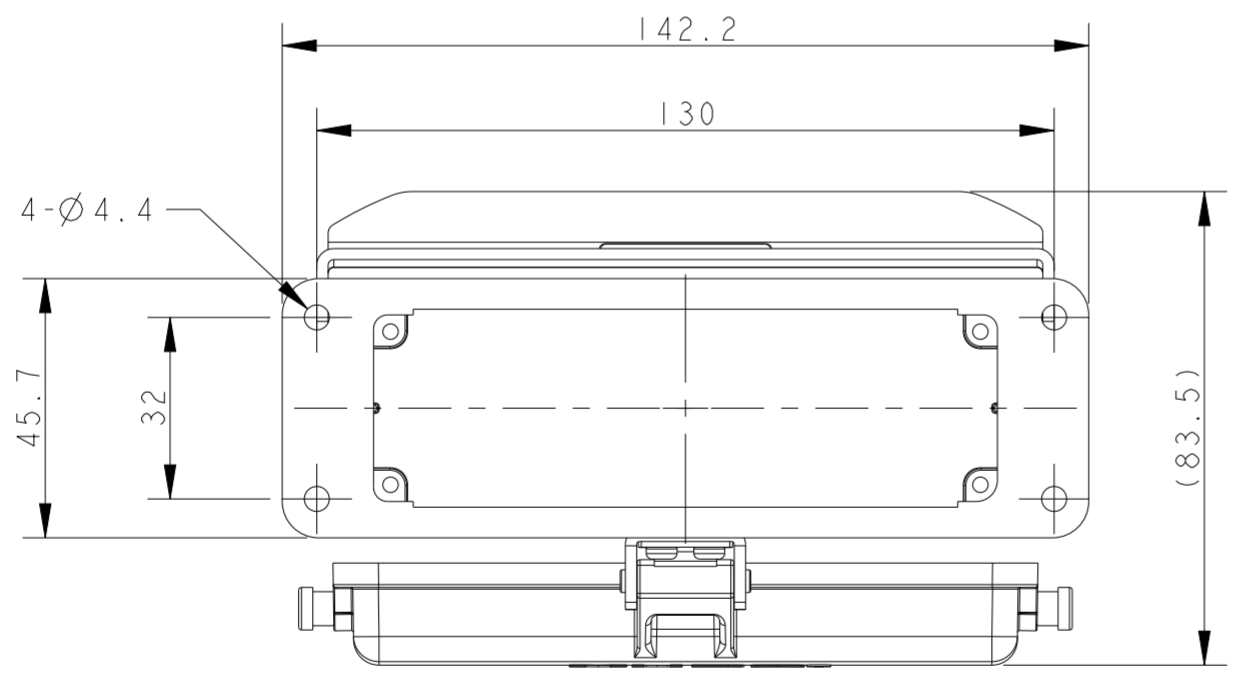
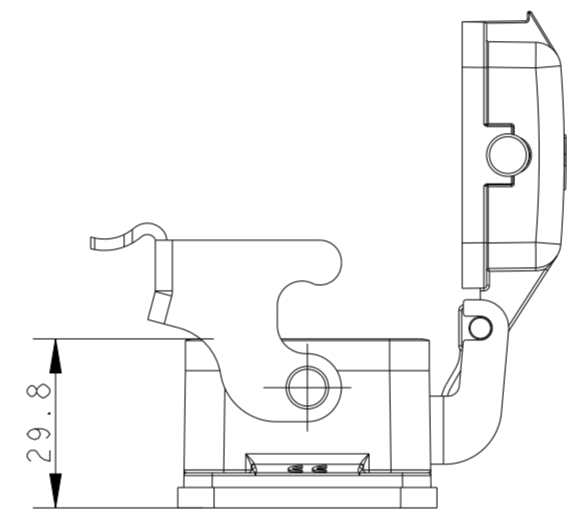
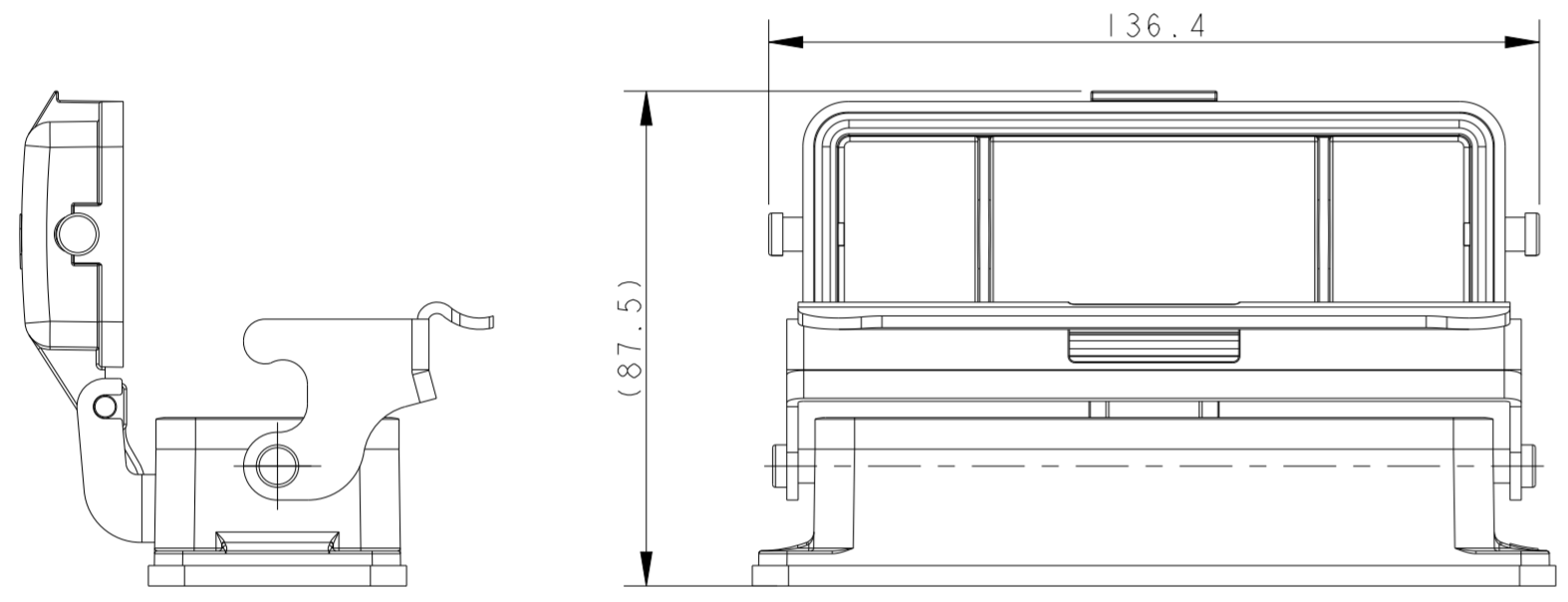


SCALE 1:2



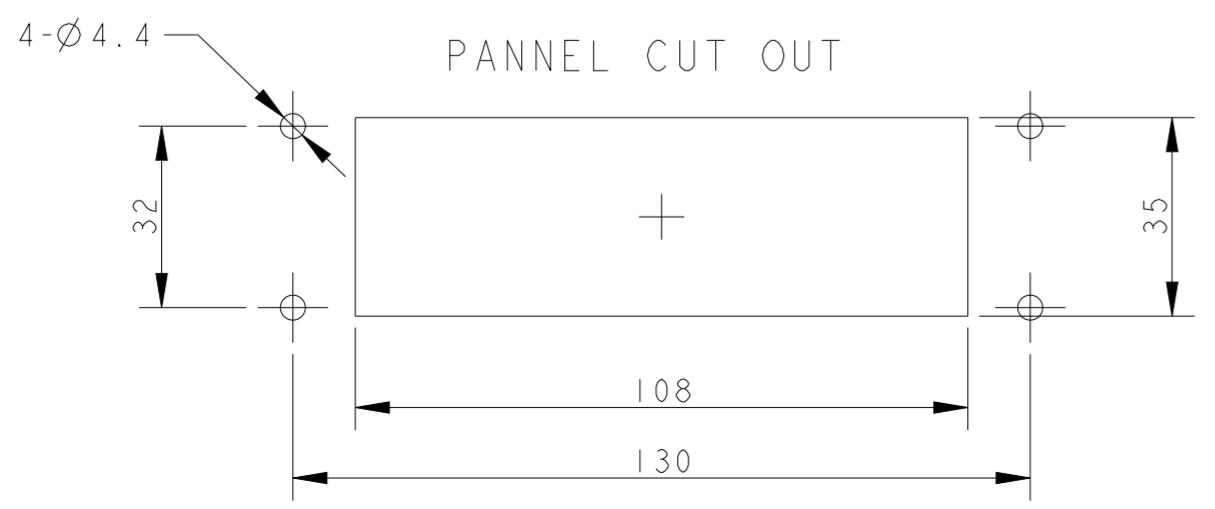
SCALE 1:2

TYPE 2: BODY + METAL LOCKING + METAL PROTECTION COVER WITH LABEL HOLE
 OTHER SPEC REFER TO TYPE 1
 类型2: 下壳+金属扣+带铭牌孔金属保护盖
 其余规格相同于类型1



TYPE 3: BODY + METAL LOCKING + METAL PROTECTION COVER WITHOUT LOGO
 OTHER SPEC REFER TO TYPE 1
 类型1: 下壳+金属扣+不带LOGO金属保护盖
 其余规格相同于类型1

TYPE 1: BODY + METAL LOCKING + METAL PROTECTION COVER WITHOUT LABEL HOLE
 类型1: 下壳+金属扣+不带铭牌孔金属保护盖



THIS DRAWING IS A CONTROLLED DOCUMENT.		DWN DAVID LI 03JUL2015	TE Connectivity		
DIMENSIONS: mm		CHK CHRIS WANG 03JUL2015			
TOLERANCES UNLESS OTHERWISE SPECIFIED:		APVD XU XIANG 03JUL2015	NAME H24B-ADM-LB (Y)		
0 PLC ±		PRODUCT SPEC 108-137013	SIZE A2		
1 PLC ±		APPLICATION SPEC 114-137013	CAGE CODE -		
2 PLC ±		WEIGHT -	DRAWING NO. C-T1510245X00000		
3 PLC ±		CUSTOMER DRAWING	RESTRICTED TO		
4 PLC ±			SCALE 3:4		
ANGLES ±			SHEET 1 OF 2		
FINISH -			REV B		

THIS DRAWING IS UNPUBLISHED. RELEASED FOR PUBLICATION 20
 © COPYRIGHT 20 BY - ALL RIGHTS RESERVED.

REVISIONS				
P	LTR	DESCRIPTION	DATE	APVD
-		SEE SHEET 1	-	-


NOTES:

- 1. TECHNICAL CHARACTERISTICS:
 BODY MATERIAL: DIE CAST ALUMINIUM ALLOY
 SURFACE TREATMENT: POWDER-COATED, COLOR SEE TABLE
 DEGREE OF PROTECTION: IP65 (MATED)

注释:

- 1. 技术参数:
 主体材料: 铝合金
 表面处理: 粉末喷涂, 颜色见表格
 防护等级: IP65(配合)

PART NUMBER 料号	SURFACE TREATMENT 表面处理	PART DESCRIPTION 描述	TYPE 类型
T1510245000-001	ADC-12, POWDER COATED, GREY ADC-12, 表面喷涂, 灰色	H24B HOUSING, BULKHEAD MOUNTED, METAL SINGLE LOCKING, METAL PROTECTION COVER, GREY, NO LOGO H24B下壳, 开孔安装, 金属单扣, 带金属保护盖, 灰色粉末喷涂, 无LOGO	TYPE 3 类型3
T1510245000-000	ADC-12, POWDER COATED, BRIGHT RED ADC-12, 表面喷涂, 亮红色	H24B HOUSING, BULKHEAD MOUNTED, METAL SINGLE LOCKING, METAL PROTECTION COVER, NAMEPLATE HOLE, POWDER COATED, BRIGHT RED H24B下壳, 开孔安装, 金属单扣, 带金属保护盖, 带铭牌孔, 亮红色粉末喷涂	TYPE 2 类型2
T1510245100-000	ADC-12, POWDER COATED, RED ADC-12, 表面喷涂, 红色	H24B HOUSING, BULKHEAD MOUNTED, METAL SINGLE LOCKING, METAL PROTECTION COVER, POWDER COATED, RED H24B下壳, 开孔安装, 金属单扣, 带金属保护盖, 红色粉末喷涂	TYPE 1 类型1

THIS DRAWING IS A CONTROLLED DOCUMENT.		DWN DAVID LI 03JUL2015	 TE Connectivity	
		CHK CHRIS WANG 03JUL2015		
DIMENSIONS: mm		APVD XU XIANG 03JUL2015	NAME H24B-ADM-LB (Y)	
TOLERANCES UNLESS OTHERWISE SPECIFIED: 0 PLC ± 1 PLC ± 2 PLC ± 3 PLC ± 4 PLC ± ANGLES ± FINISH		PRODUCT SPEC 108-137013	DRAWING NO G-T1510245X00000	
MATERIAL -		APPLICATION SPEC 114-137013	RESTRICTED TO	
		WEIGHT -	SCALE 3:4	SHEET 2 OF 2
		CUSTOMER DRAWING	REV B	