

THIS DRAWING IS UNPUBLISHED.

RELEASED FOR PUBLICATION

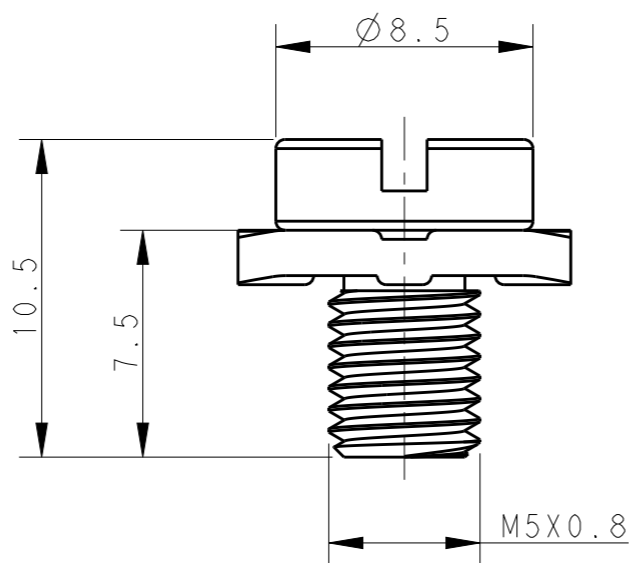
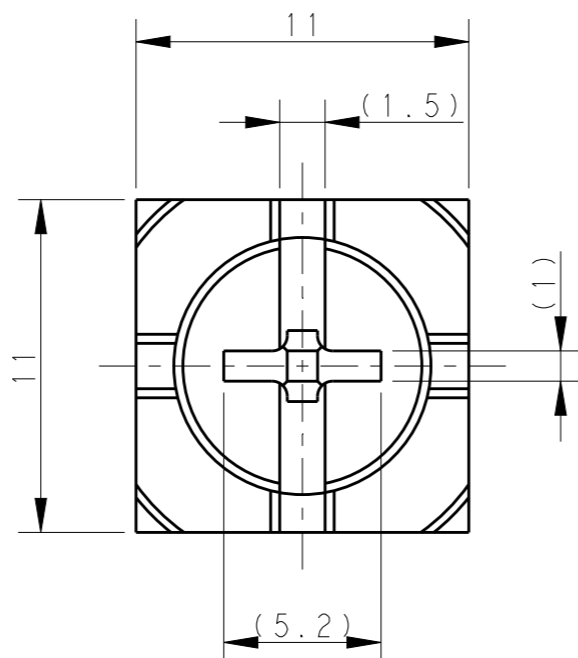
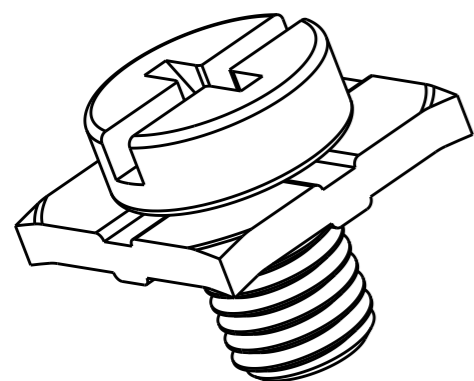
20

© COPYRIGHT 20 BY -

ALL RIGHTS RESERVED.

REVISIONS

P	LTR	DESCRIPTION	DATE	DWN	APVD
	A	INITIAL RELEASE	21NOV2017	DW	CW



NOTE:  
1. TECHNICAL CHARACTERISTICS:  
MATERIAL: STEEL

注释:  
1. 技术参数:  
材料: STEEL

T0930000575-000	M5X7.5, GROUNDING SCREW M5X7.5, 接地压线螺丝
PART NUMBER 料号	PART DESCRIPTION 描述

THIS DRAWING IS A CONTROLLED DOCUMENT.

DIMENSIONS: mm	TOLERANCES UNLESS OTHERWISE SPECIFIED:
	0 PLC ±-
	1 PLC ±-
	2 PLC ±-
	3 PLC ±-
	4 PLC ±-
	ANGLES ±-
MATERIAL	FINISH
-	-
-	-

DWN	21NOV2017
DAVID WANG	
CHK	21NOV2017
GINO YAO	
APVD	21NOV2017
CHRIS WANG	
PRODUCT SPEC	-
APPLICATION SPEC	-
WEIGHT	-
CUSTOMER DRAWING	

TE Connectivity		NAME		RESTRICTED TO
		M5X7.5, GROUNDING SCREW		
SIZE	CAGE CODE	DRAWING NO	-	
A3	00779	©-T0930000575000	-	
SCALE		SHEET	OF	REV
4:1		1	1	A