



TE Internal #: 1-1437720-7
 Standard Circular Connectors, Cable-to-Cable, 3 Position, Sealable,
 Wire & Cable, Signal, Reverse Gender, Nickel, Zinc Die Cast,
 Polyamide

[View on TE.com >](#)

Connectors > Circular Connectors > Standard Circular Connectors



Connector System: **Cable-to-Cable**

Number of Positions: **3**

Sealable: **Yes**

Connector & Contact Terminates To: **Wire & Cable**

Contact Current Rating (Max): **2 A**

Features

Product Type Features

| | |
|-----------------------------------|--------------------|
| Product Type | Connector Assembly |
| Connector System | Cable-to-Cable |
| Sealable | Yes |
| Connector & Contact Terminates To | Wire & Cable |
| Circular Connector Type | Plug |
| Shell Type | Plastic |

Configuration Features

| | |
|----------------------------|-----|
| Number of Positions | 3 |
| Number of Power Positions | 0 |
| Number of Signal Positions | 3 |
| Contacts Preloaded | Yes |

Body Features

| | |
|---|---------------|
| Shell Plating Material | Nickel |
| Shell Base Material | Zinc Die Cast |
| Circular Connector Insulation Material Type | Polyamide |

Contact Features

| | |
|------------------------------|----------|
| Contact Current Rating (Max) | 2 A |
| Reverse Gender | Yes |
| Contact Layout Arrangement | Circular |



Circular Connector Contact Type

Pin

Mechanical Attachment

Mating Alignment Type

Keyed

Mating Retention

With

Usage Conditions

Operating Temperature Range

-40 – 80 °C[-40 – 176 °F]

Operation/Application

Circuit Application

Signal

Shielded

No

Product Compliance

[For compliance documentation, visit the product page on TE.com>](#)

EU RoHS Directive 2011/65/EU

Compliant with Exemptions

EU ELV Directive 2000/53/EC

Not Yet Reviewed

China RoHS 2 Directive MIIT Order No 32, 2016

Restricted Materials Above Threshold

EU REACH Regulation (EC) No. 1907/2006

Current ECHA Candidate List: JUNE 2024 (241)
 Candidate List Declared Against: JAN 2024 (240)
 SVHC > Threshold:
 Pb (4% in Component Part)
Article Safe Usage Statements:
 Do not eat, drink or smoke when using this product. Wash thoroughly after handling. Recycle if possible and dispose of the article by following all applicable governmental regulations relevant to your geographic location.

Halogen Content

Low Halogen - Br, Cl, F, I < 900 ppm per homogenous material. Also BFR/CFR/PVC Free

Solder Process Capability

Hand solderable with lead free solder

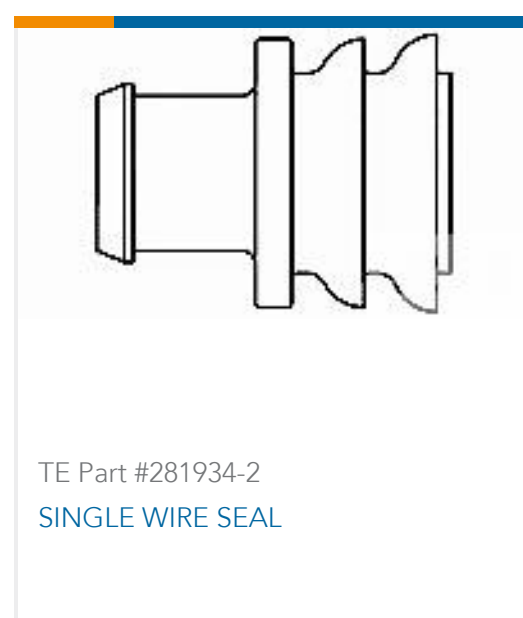
Product Compliance Disclaimer

This information is provided based on reasonable inquiry of our suppliers and represents our current actual knowledge based on the information they provided. This information is subject to change. The part numbers that TE has identified as EU RoHS compliant have a maximum concentration of 0.1% by weight in homogenous materials for lead, hexavalent chromium, mercury, PBB, PBDE, DBP, BBP, DEHP, DIBP, and 0.01% for cadmium, or qualify for an exemption to these limits as defined in the Annexes of Directive 2011/65/EU (RoHS2). Finished electrical and electronic equipment products will be CE marked as required by Directive 2011/65/EU. Components may not be CE marked. Additionally, the part numbers that TE has identified as EU ELV compliant have a maximum concentration of 0.1% by weight in homogenous materials for lead, hexavalent chromium, and mercury, and 0.01% for cadmium, or qualify for an exemption to these limits as defined in the Annexes of Directive 2000/53/EC (ELV). Regarding the REACH Regulation, the information TE provides on SVHC in articles for this part number is based on the latest European Chemicals Agency (ECHA) 'Guidance on requirements for substances in articles' posted at this URL: <https://echa.europa.eu/guidance-documents/guidance-on-reach>

Compatible Parts



Customers Also Bought



Documents

Product Drawings

[T01-0598-PP03-A=SHIELDED SUBMI](#)

English

CAD Files

Customer View Model

[ENG_CVM_CVM_1-1437720-7_A.3d_igs.zip](#)

English

Customer View Model

[ENG_CVM_CVM_1-1437720-7_A.3d_stp.zip](#)

English

Customer View Model

[ENG_CVM_CVM_1-1437720-7_A.2d_dxf.zip](#)

English

[3D PDF](#)



3D

By downloading the CAD file I accept and agree to the [Terms and Conditions](#) of use.

[Product Specifications](#)

[Application Specification](#)

English