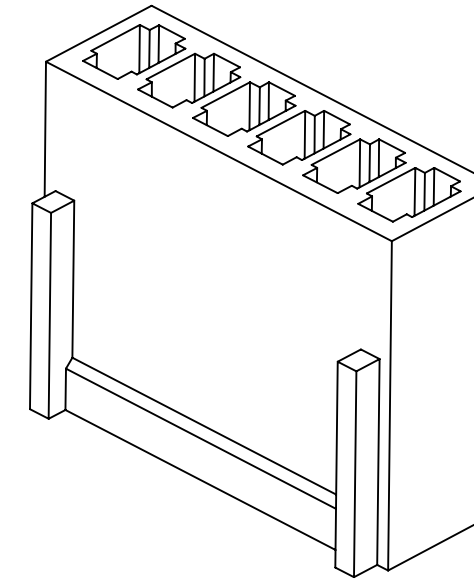
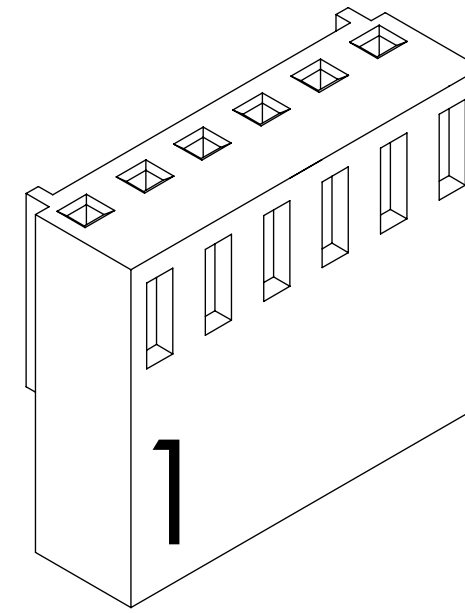
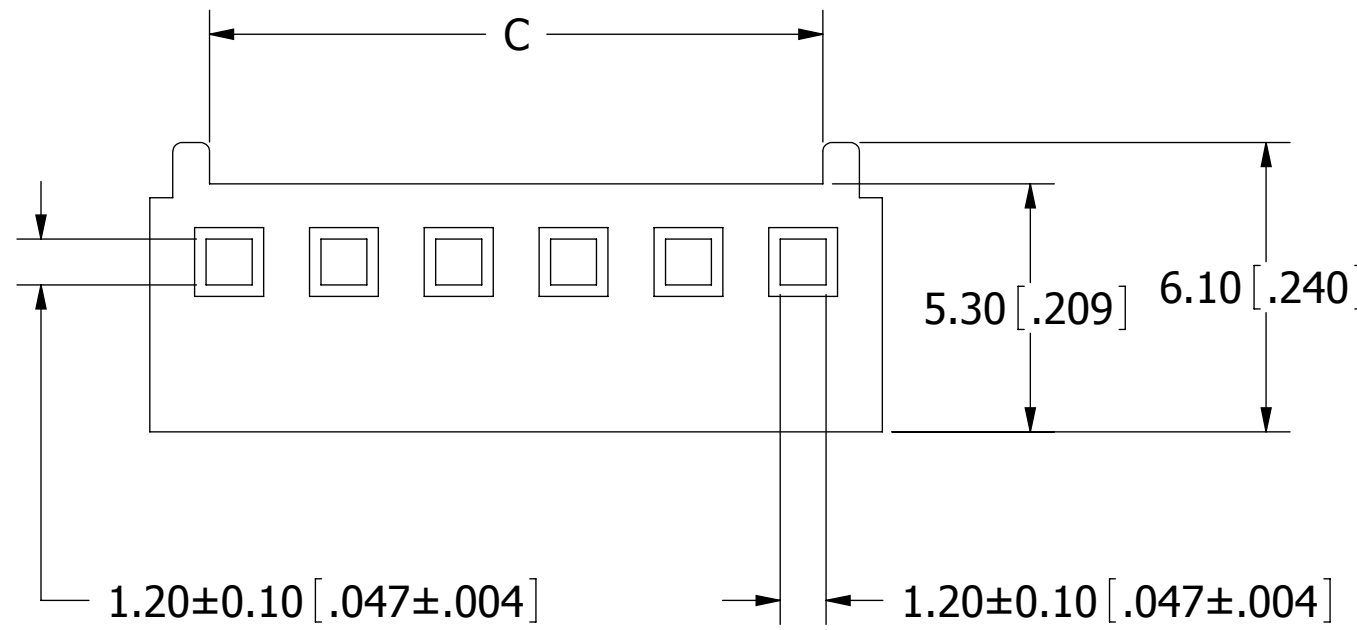


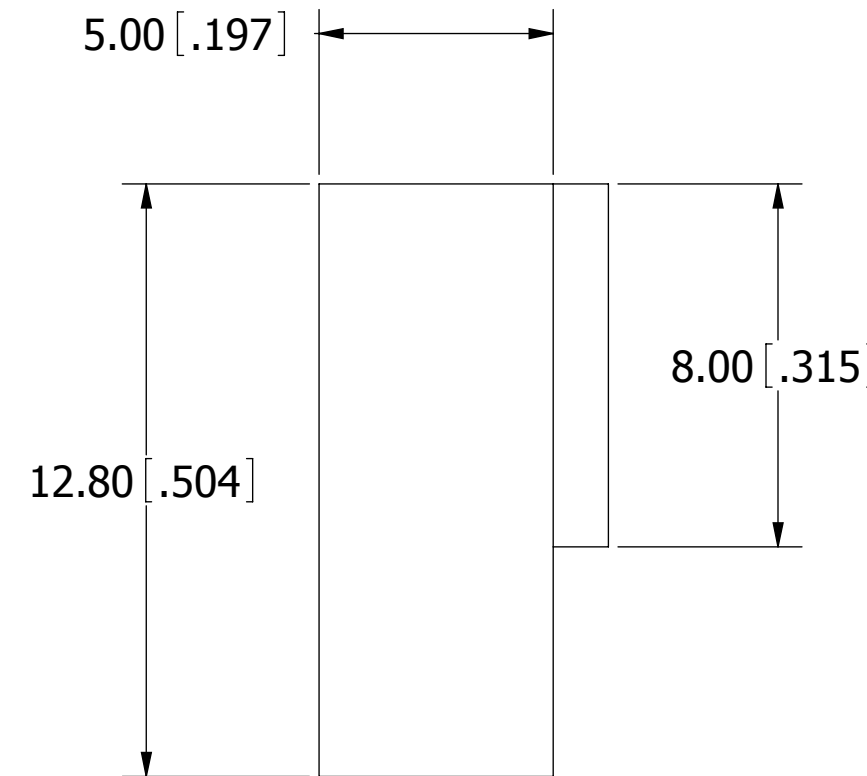
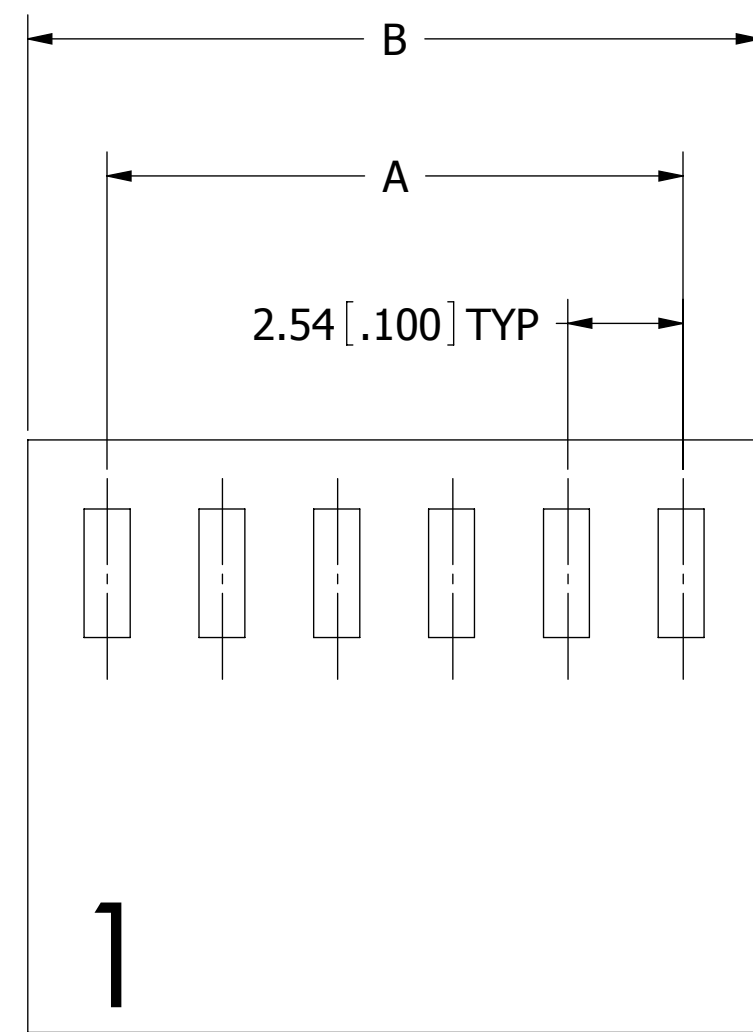
PART NUMBER CODING

SWH25X-NULC-S__-UU-BA

NUMBER OF POSITIONS
(CONTACTS PER ROW)



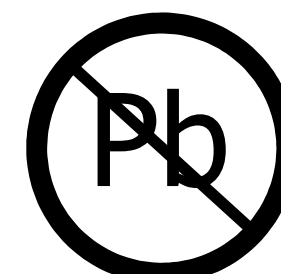
REVISIONS				
REV.	ECO. NO	DESCRIPTION	DATE	BY
A	2237	INITIAL RELEASE	05/23/2011	LH
B	2613	UPDATE CURRENT RATING 2.5 AMPS (WAS 5.0 AMPS)	06/15/2012	LH
C	3352	ADD ISO VIEW TO SHOW LOCKING EDGE, UPDATE CURRENT RATING	12/17/2015	LH/MG



Part Number	Positions/ Contacts	A		B		C	
		MM	INCH	MM	INCH	MM	INCH
SWH25X-NULC-S02-UU-BA	02/02	2.54	0.100	5.79	0.228	3.07	0.121
SWH25X-NULC-S03-UU-BA	03/03	5.08	0.200	8.33	0.328	5.61	0.221
SWH25X-NULC-S04-UU-BA	04/04	7.62	0.300	10.87	0.428	8.15	0.321
SWH25X-NULC-S05-UU-BA	05/05	10.16	0.400	13.41	0.528	10.69	0.421
SWH25X-NULC-S06-UU-BA	06/06	12.70	0.500	15.95	0.628	13.23	0.521
SWH25X-NULC-S07-UU-BA	07/07	15.24	0.600	18.49	0.728	15.77	0.621
SWH25X-NULC-S08-UU-BA	08/08	17.78	0.700	21.03	0.828	18.31	0.721
SWH25X-NULC-S09-UU-BA	09/09	20.32	0.800	23.57	0.928	20.85	0.821
SWH25X-NULC-S10-UU-BA	10/10	22.86	0.900	26.11	1.028	23.39	0.921
SWH25X-NULC-S11-UU-BA	11/11	25.40	1.000	28.65	1.128	25.93	1.021
SWH25X-NULC-S12-UU-BA	12/12	27.94	1.100	31.19	1.228	28.47	1.121
SWH25X-NULC-S13-UU-BA	13/13	30.48	1.200	33.73	1.328	31.01	1.221
SWH25X-NULC-S14-UU-BA	14/14	33.02	1.300	36.27	1.428	33.55	1.321
SWH25X-NULC-S15-UU-BA	15/15	35.56	1.400	38.81	1.528	36.09	1.421
SWH25X-NULC-S16-UU-BA	16/16	38.10	1.500	41.35	1.628	38.63	1.521
SWH25X-NULC-S17-UU-BA	17/17	40.64	1.600	43.89	1.728	41.17	1.621
SWH25X-NULC-S18-UU-BA	18/18	43.18	1.700	46.43	1.828	43.71	1.721
SWH25X-NULC-S19-UU-BA	19/19	45.72	1.800	48.97	1.928	46.25	1.821
SWH25X-NULC-S20-UU-BA	20/20	48.26	1.900	51.51	2.028	48.79	1.921

NOTES:

- SUITABLE FOR SWT25X SERIES TERMINAL.
- INSULATOR MATERIAL: NYLON 66, UL94V-2, COLOR: BEIGE.
- MATES WITH SWR25X SERIES SINGLE ROW WAFER.
- SPECIFICATION WHEN USED WITH SWT25X AND SWR25X SERIES
CURRENT RATING: 3.0 AMPS.
VOLTAGE RATING: 250 V AC/DC.
INSULATOR RESISTANCE: 1000 MEGOHMS MIN.
CONTACT RESISTANCE: 20 MILLIOHMS MAX.
DIELECTRIC WITHSTANDING VOLTAGE: 1000V AC.
OPERATING TEMPERATURE: -25° C TO +85° C.



RoHS COMPLIANT

UNLESS OTHERWISE SPECIFIED: DIMENSIONS ARE IN MM[INCHES]	DRAWN	DATE	NAME	
		05/23/2011	LH	
TOLERANCES:	<small>THE INFORMATION HEREIN CONTAINS PROPRIETARY INFORMATION OF SULLINS ELECTRONICS AND IS NOT TO BE REPRODUCED, USED OR DISCLOSED TO OTHERS FOR ANY PURPOSE EXCEPT AS SPECIFICALLY AUTHORIZED IN WRITING BY AN OFFICER OF SULLINS ELECTRONICS.</small>			TITLE
ANGULAR: ± 1°				HOUSING, 2.54mm[.100"] CC, 1 ROW
DECIMALS .X= ± .3 [.01] .XX= ± .30 [.012]				PART NUMBER
				SWH25X-NULC-S__-UU-BA
	SIZE	CAGE CODE	DWG. NO.	REV
	C	54453	11632	C
	SCALE: 6:1			SHEET 1 OF 1