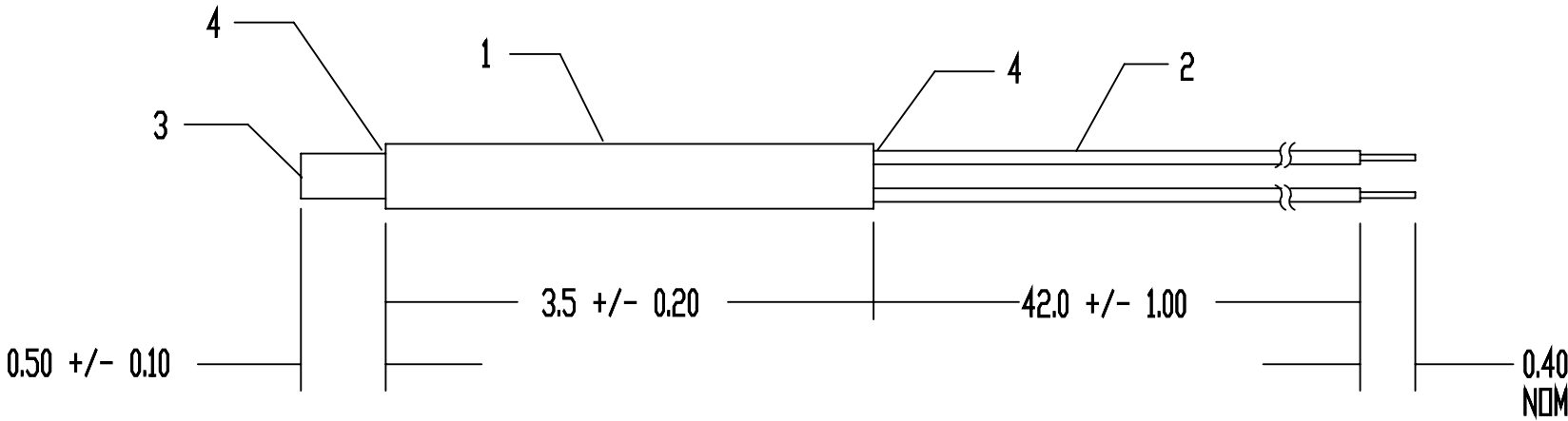


REV	DATE	ECO#
G	01/18/95	1335
H	09/07/95	1350

DRAWING NOT TO SCALE
ALL DIMENSIONS IN INCHES



SPECIFICATIONS:
 RESISTANCE AT 0 DEG C +/- 0.25 DEG C = 5K OHMS
 (4,945 TO 5,056 OHMS AT 0 DEG C)
 MATERIAL COMPOSITION = B
 USING A DIGITAL MULTI-METER (OR EQUIVALENT) OBSERVE THAT NO
 CONTINUITY IS MEASURED BETWEEN THE PAIR OF 20 AWG LEAD WIRES
 AND THE STAINLESS STEEL HOUSING

- NOTES:**
- 1 #321 STAINLESS STEEL TUBING, P/N SPD0028
 - 2 LEAD WIRES: P/N STL-229 (ISSUE STL-229 DRAWING WITH THIS DRAWING)
 - 3 #302/304 STAINLESS STEEL CUP (O.D. 0.150 NOM.), P/N SPD0037
 - 4 SEE SMD0003 DRAWING (ISSUE SMD0003 DRAWING WITH THIS DRAWING)

CUSTOMER: ACUREX AEROTHERM

DRAWN BY F. TISED		AMETHERM <i>Circuit Protection Thermistors</i>
DATE 11/28/83	ORIG. F. TISED	
REV H	APP	THERMISTOR PROBE, NTC
SHEET 1 OF 1		STX0066