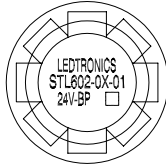
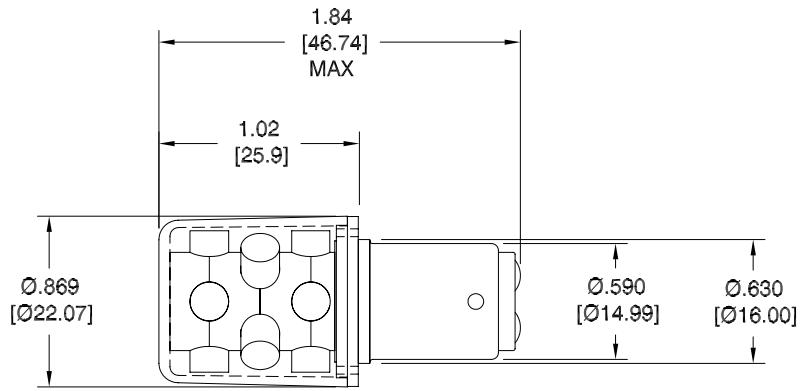


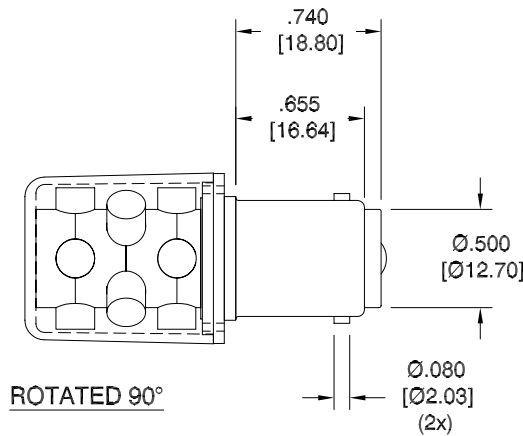
LTR	REVISION	DATE	APPD
-	RELEASED	01-14-14	



TOP VIEW



SIDE VIEW



NOTES:

1. ALL DIMENSIONS ARE IN INCHES [MILLIMETERS].
2. LENS MATERIAL: WATERCLEAR, POLYCARBONATE LEXAN 101 (UL94V-2)
3. SLEEVE MATERIAL: CLEAR, POLYCARBONATE LEXAN 141
4. SPACER MATERIAL: POLYCARBONATE, UL94V-2
5. BASE MATERIAL: NICKEL PLATED BRASS



REVISION NOTIFICATION
<input type="checkbox"/> DLC
<input type="checkbox"/> UL/ETL
<input type="checkbox"/> MADE IN USA
<input type="checkbox"/> CUSTOMER _____
<input type="checkbox"/> OTHER

ELECTRO-OPTICAL CHARACTERISTICS (Ta = 25°C)

STL602-01-01	ULTRA RED	24Vdc BP	1.44 W	0.054 A	1.475cd	652	-
STL602-02-01	SUPER ORANGE	24Vdc BP	1.44 W	0.054 A	0.825cd	610	-
STL602-03-01	AQUA GREEN	24Vdc BP	2.16 W	0.039 A	4.800cd	518	-
STL602-04-01	SUPER YELLOW	24Vdc BP	1.44 W	0.054 A	1.400cd	594	-
STL602-05-01	SUPER BLUE	24Vdc BP	2.16 W	0.039 A	1.525cd	462	-
STL602-06-01	COOL WHITE	24Vdc BP	2.16 W	0.039 A	1.920cd	-	8000K
LEDTRONICS PART NO.	COLOR EMITTED	INPUT VOLTAGE, V	POWER (W)	CURRENT (A)	MAXIMUM CANDELA	λP nm	COLOR TEMP. (K)

LED[®]
LEDTRONICS, INC.[™]
 23105 KASHIWA COURT
 TORRANCE, CA 90505

-PROPRIETARY-
 This document contains Proprietary information of LEDTRONICS, INC. It may not be copied, used or disclosed for any purpose without the prior express written consent of LEDTRONICS, INC.
 .XXX ± .010 TOLERANCE PER ANSI-Y14.5 (UNLESS OTHERWISE STATED)
 .XX ± .025
 ANGLES ± 0°,30'
 FRACT. ± 1/32

TITLE		STL602-0X-01		StackLED [®]	
DWG NO	SCALE	SHEET	DATE		
STL60201-CUST	1:1	1 OF 1	01-14-14		
CODE IDENT NO.	DWG BY	CHK BY	QA	MFG	R&D
8Z410	GP 01-14-14	PL 01-15-14			BJ 01-15-14