



Identification & Labeling > Pre-Printed Markers > STD Snap-On Markers



Marker Style: **Snap-On**

Marker Size: **STD 24**

Compatible Cable Diameter Range: **15 – 19 mm [.59 – .75 in]**

Marker Cut: **Straight**

Marking Details: **J**

[All STD Snap-On Markers \(958\)](#)

Features

Body Features

Marker Style	Snap-On
Marker Size	STD 24

Dimensions

Compatible Cable Diameter Range	15 – 19 mm [.59 – .75 in]
---------------------------------	---------------------------

Printer/Label Features

Marker Cut	Straight
Marking Details	J

Packaging Features

Packaging Quantity	50
Packaging Method	Box

Other

Printed Marking Color	Black
-----------------------	-------

Product Compliance

[For compliance documentation, visit the product page on TE.com>](#)

EU RoHS Directive 2011/65/EU	Compliant
EU ELV Directive 2000/53/EC	Compliant



China RoHS 2 Directive MIIT Order No 32, 2016	No Restricted Materials Above Threshold
EU REACH Regulation (EC) No. 1907/2006	Current ECHA Candidate List: JUNE 2024 (241) Candidate List Declared Against: JUNE 2024 (241) Does not contain REACH SVHC
Halogen Content	Low Halogen - Br, Cl, F, I < 900 ppm per homogenous material. Also BFR/CFR/PVC Free
Solder Process Capability	Not applicable for solder process capability

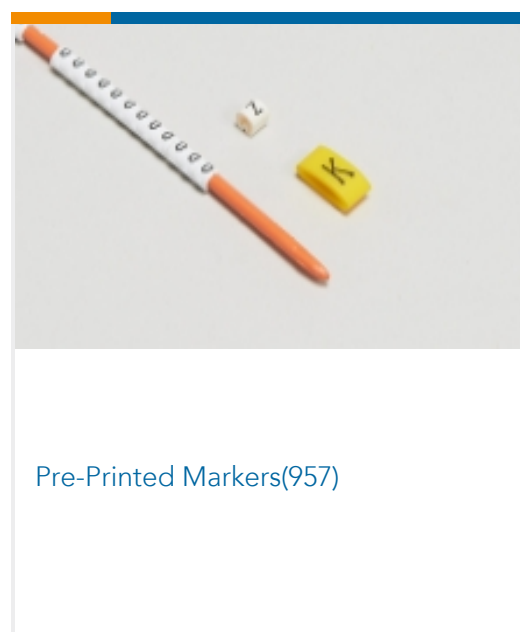
Product Compliance Disclaimer

This information is provided based on reasonable inquiry of our suppliers and represents our current actual knowledge based on the information they provided. This information is subject to change. The part numbers that TE has identified as EU RoHS compliant have a maximum concentration of 0.1% by weight in homogenous materials for lead, hexavalent chromium, mercury, PBB, PBDE, DBP, BBP, DEHP, DIBP, and 0.01% for cadmium, or qualify for an exemption to these limits as defined in the Annexes of Directive 2011/65/EU (RoHS2). Finished electrical and electronic equipment products will be CE marked as required by Directive 2011/65/EU. Components may not be CE marked. Additionally, the part numbers that TE has identified as EU ELV compliant have a maximum concentration of 0.1% by weight in homogenous materials for lead, hexavalent chromium, and mercury, and 0.01% for cadmium, or qualify for an exemption to these limits as defined in the Annexes of Directive 2000/53/EC (ELV). Regarding the REACH Regulation, the information TE provides on SVHC in articles for this part number is based on the latest European Chemicals Agency (ECHA) 'Guidance on requirements for substances in articles' posted at this URL: <https://echa.europa.eu/guidance-documents/guidance-on-reach>

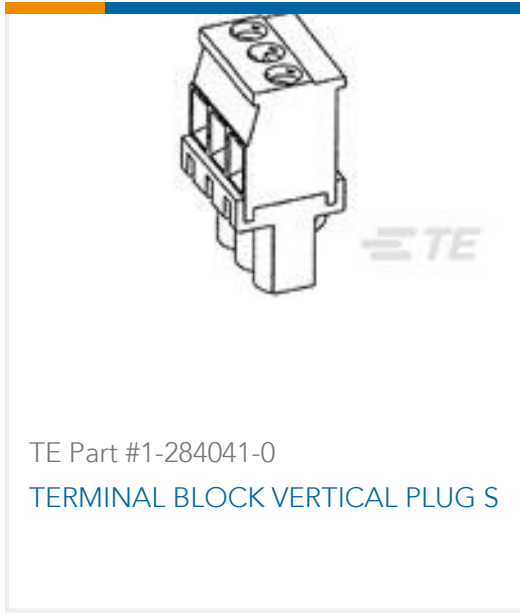
Compatible Parts



Also in the Series | Agastat 7000



Customers Also Bought



Documents

Product Drawings

[STD24W-J](#)

English

Datasheets & Catalog Pages

[STD/STB-type Snap-on Pre-printed Wire & Cable Markers](#)

English

[IDENTIFICATION SELECTION GUIDE](#)

English

[STD and STB Technical Datasheet](#)

English

Product Specifications

[RW-2538 STD and STB work instruction](#)

English