

3-1768047-9 ✓ ACTIVE

Agastat 7000

TE Internal #: 3-1768047-9

Snap-On, STD 21 Marker Size, Yellow, Chevron Cut, Width 6.7 mm [.264 in], Black, Polyoxymethylene, Agastat 7000, Pre-Printed Markers

[View on TE.com >](#)



Identification & Labeling > Pre-Printed Markers > STD Snap-On Markers



Marker Style: **Snap-On**

Marker Size: **STD 21**

Compatible Cable Diameter Range: **11 – 15.5 mm [.433 – .61 in]**

Primary Product Color: **Yellow**

Marker Cut: **Chevron**

[All STD Snap-On Markers \(958\)](#)

Features

Body Features

Marker Style	Snap-On
Marker Size	STD 21
Primary Product Color	Yellow
Primary Product Material	Polyoxymethylene

Dimensions

Compatible Cable Diameter Range	11 – 15.5 mm [.433 – .61 in]
Product Width	6.7 mm [.264 in]

Printer/Label Features

Marker Cut	Chevron
------------	---------

Packaging Features

Packaging Quantity	50
Packaging Method	Box

Other

Printed Marking Color	Black
-----------------------	-------

Product Compliance

[For compliance documentation, visit the product page on TE.com>](#)



EU RoHS Directive 2011/65/EU	Compliant
EU ELV Directive 2000/53/EC	Compliant
China RoHS 2 Directive MIIT Order No 32, 2016	No Restricted Materials Above Threshold
EU REACH Regulation (EC) No. 1907/2006	Current ECHA Candidate List: JUNE 2024 (241) Candidate List Declared Against: JUNE 2024 (241) Does not contain REACH SVHC
Halogen Content	Low Halogen - Br, Cl, F, I < 900 ppm per homogenous material. Also BFR/CFR/PVC Free
Solder Process Capability	Not applicable for solder process capability

Product Compliance Disclaimer

This information is provided based on reasonable inquiry of our suppliers and represents our current actual knowledge based on the information they provided. This information is subject to change. The part numbers that TE has identified as EU RoHS compliant have a maximum concentration of 0.1% by weight in homogenous materials for lead, hexavalent chromium, mercury, PBB, PBDE, DBP, BBP, DEHP, DIBP, and 0.01% for cadmium, or qualify for an exemption to these limits as defined in the Annexes of Directive 2011/65/EU (RoHS2). Finished electrical and electronic equipment products will be CE marked as required by Directive 2011/65/EU. Components may not be CE marked. Additionally, the part numbers that TE has identified as EU ELV compliant have a maximum concentration of 0.1% by weight in homogenous materials for lead, hexavalent chromium, and mercury, and 0.01% for cadmium, or qualify for an exemption to these limits as defined in the Annexes of Directive 2000/53/EC (ELV). Regarding the REACH Regulation, the information TE provides on SVHC in articles for this part number is based on the latest European Chemicals Agency (ECHA) 'Guidance on requirements for substances in articles' posted at this URL: <https://echa.europa.eu/guidance-documents/guidance-on-reach>

Compatible Parts



Also in the Series | **Agastat 7000**



Electromechanical Relays(73)



Pre-Printed Markers(957)

Customers Also Bought



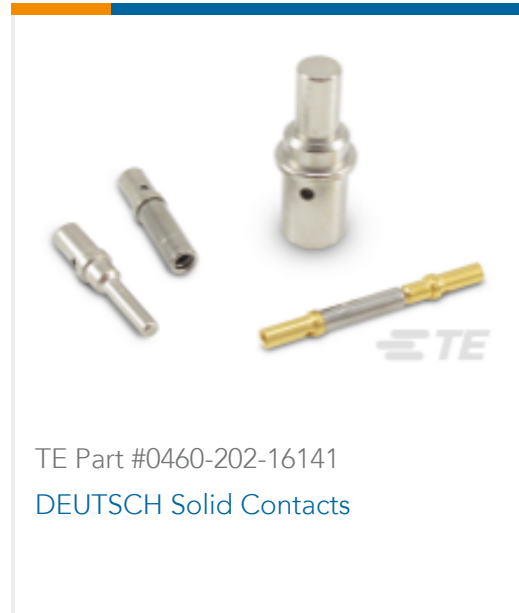
TE Part #DT04-2P
REC, 2P, GRY, N



TE Part #DT06-2S
PLG, 2P, GRY, N



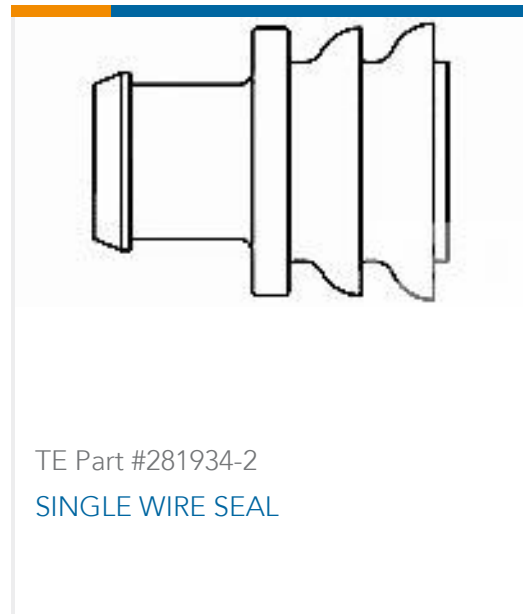
TE Part #W2S
Wedgelocks: DEUTSCH DT



TE Part #0460-202-16141
DEUTSCH Solid Contacts



TE Part #282080-1
AMP SUPERSEAL 1.5MM,
CONNECTOR HOUSING



TE Part #281934-2
SINGLE WIRE SEAL



TE Part #114017-ZZ
SEALING PLUG, SIZE 12/16, WHT

Documents

Product Drawings

[STD21Y-BLANK](#)

English

Datasheets & Catalog Pages

[STD/STB-type Snap-on Pre-printed Wire & Cable Markers](#)

English

[STD and STB Technical Datasheet](#)

English

Product Specifications

[RW-2538 STD and STB work instruction](#)

English